

Excellent Integrated System Limited

Stocking Distributor

Click to view price, real time Inventory, Delivery & Lifecycle Information:

[FCI](#)
[HM2P07PNW1G5GFLF](#)

For any questions, you can email us directly:
sales@integrated-circuit.com

BS.C ,201843,589	D	GEN. ST.	01	02	03	04	05	06	07	08	0D	50	60	70	80	90															
		INT. ST.	10	11	12	13	14	18	20	31	32	33	34	38	39	40	42	43	44	45	46	48	56	70	72	73	75	76	81	82	83

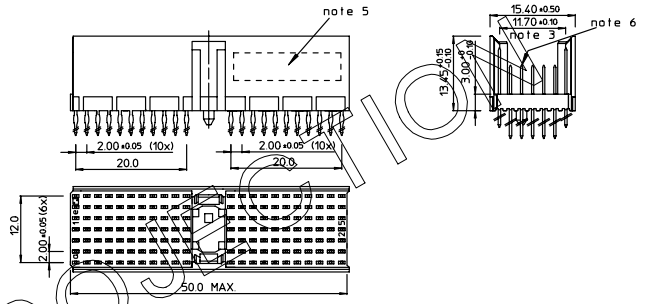
REV.	DATE	DESCRIPTION	BY	C'K'D'
A	2001-09-14	CONVERSION REVISION 02	KH	
B	2002-05-28	EC B20006	YF	
C	2005-10-17	105-0196	ALEX B	BKP
D	2006-07-12	106-0110	VIVEX	BKP

LOADING PATTERN MATING SIDE

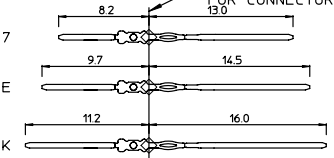
f	K	K	K	K	0	0	0	0	0	0											K	K	K	K	K	K	K	K	K	K	K	K						
e	E	E	E	E	K	0	0	E	0	0	K										E	E	E	E	E	E	E	E	K	E								
d	E	E	E	E	E	0	0	0	0	0	0										K	K	K	K	K	K	K	E	E									
c	E	E	7	E	E	E	0	0	0	0	0										E	E	E	E	E	E	E	E	E									
b	E	E	E	E	E	0	0	0	0	0	0										E	E	E	E	E	E	E	E	E									
q	E	E	E	E	K	0	0	E	0	0	K										E	E	E	E	E	E	E	E	E									
z	0	0	0	0	0	0	0	0	0	0	0										0	0	0	0	0	0	0	0	0									
00P	0	1																																				
	1																																					

SHEET NR. : 689

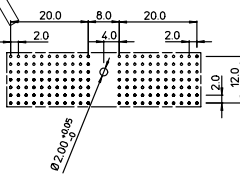
LOADED CONNECTOR ASSEMBLY (FOR EXAMPLE)



CONTACT OVERVIEW



LAY-OUT P.C.B. -HOLE



EUROPEAN PRO...

THIS IS OUR EXCLUSIVE PROPERTY. IT IS NOT TO BE COPIED, REPRINTED OR DISCLOSED TO A THIRD PARTY... DIT IS ONZE EIGENOM EN NAG HOCH NIEZAMEENT. HERKRAKT, OVERNAMEENT AMB ZONDEN, HOCH VOOR FAMILIARITEIT GEBRUYKT WORDEN, ZONDER ONZE SCHRIFTELIJKE TOELAATING. BIJ NIET GEBRUYK IS TERUGGEGANG VOOR NIET.

HM2P07PNW1G5 **LF** LEAD FREE INDICATOR : LF = LEAD FREE (DIGIT 15 & 16)
PLATING CODE (DIGIT 13 AND 14) (REF DWG No. BS.C ,201844,003)

- NOTES:**
- THIS PRODUCT IS CSA APPROVED.
 - THIS PRODUCT IS UL RECOGNIZED.
 - MEASURED AT THE BOTTOM.
 - MATERIAL CONTACT: PHOSPHORBRONZE HOUSING: CREAM WHITE GLASSFILLED POLYESTER UL-94V0
 - CONNECTOR PRINTED WITH P/N AND DATE CODE.
 - FOR ACTUAL CONTACT LOADINGS, SEE LOADING PATTERN MATING SIDE.
 - SHAPE OF CONNECTOR HOUSING CAN ALTER DEPENDING ON PRODUCTION LOCATION.
 - THE PRODUCT (LF) MEETS EUROPEAN UNION DIRECTIVES AND OTHER COUNTRY REGULATIONS AS DESCRIBED IN GS-22-008
 - FOR RECOMMENDED PTH DIMENSIONS REFER DRAWING : BS.A ,201572,001

1DEC ±0.2 2DEC ±0.1 ANGLES ±1°	APPR. DRAFT CHECKED	DATE 1998-07-07	SIGN. H.Fret	LOADING PATTERN OVERVIEW CAT. No. HM2P07PNW1G5----
WE RESERVE THE RIGHT TO CHANGE DIMENSIONS OR REQUIREMENTS WITHOUT PRIOR NOTICE.	PROD. MGR PR. ENG. MGR PR. MGT. MGR			FCI www.fciconnect.com
ALL DIMENSIONS IN MM	REFERENCES			BS.C ,201843,589 D DRAWING No. CUSTOMER DRAWING REVISION
				PDM: Rev:D STATUS: Released Printed: Dec. 02 2007