

## Excellent Integrated System Limited

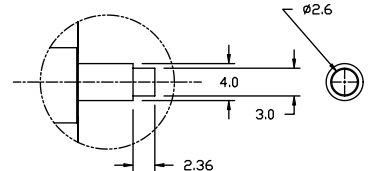
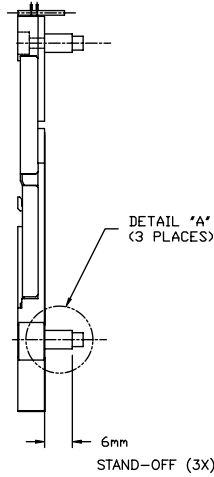
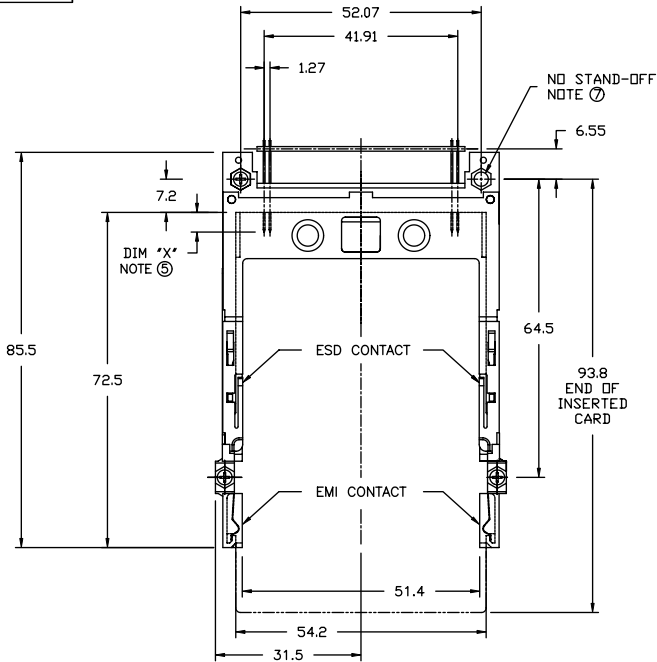
Stocking Distributor

Click to view price, real time Inventory, Delivery & Lifecycle Information:

[FCI](#)  
[74920-080](#)

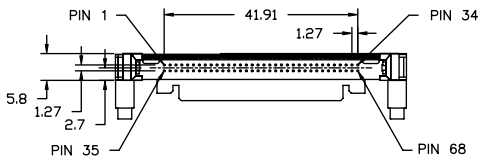
For any questions, you can email us directly:  
[sales@integrated-circuit.com](mailto:sales@integrated-circuit.com)

PRODUCT NO.  
74920-000



- NOTES:
- 8mm MIN CARD EJECT.
  - EJECT TRAVEL: 9.5mm
  - MATERIAL:
    - HEADER ASSY:
      - PLASTIC HOUSING: LCP UL94V-0 BLACK - ABOVE PCB
      - PIN: PHOSPHOR BRONZE
      - PCB: FR4
    - EJECT MECHANISM ASSY:
      - PLASTIC GUIDE: POLYPHTHRAMID UL94V-0 BLACK
      - COVER PLATE: STAINLESS STEEL
      - EMI CONTACT: PHOSPHOR BRONZE
    - MATING RECEPTACLE: (91931-31169)
      - PLASTIC: LCP94V-0 NATURAL
      - CONTACT: BeCu
  - FINISH (PIN)
    - UNDER PLATING: 0.5um MIN Ni
    - CONTACT AREA: 0.1um MIN GOLD OVER
    - 0.5um MIN Pd-Ni
    - SOLDER TAIL: 2.5um MIN Sn-Pb
  - DIM "X"
 

4.25±0.1	3.5±0.1	5.0±0.1
OTHERS	36,67	1,17,34,35,51,68
  - RECOMMENDED SCREW TORQUE: 1.0 TO 1.5 MAX in-lbs. (1.2-1.7 cm-kgs).
  - ONLY 3 STAND-OFFS. NO STAND OFF ON RIGHT SIDE OF HEADER.



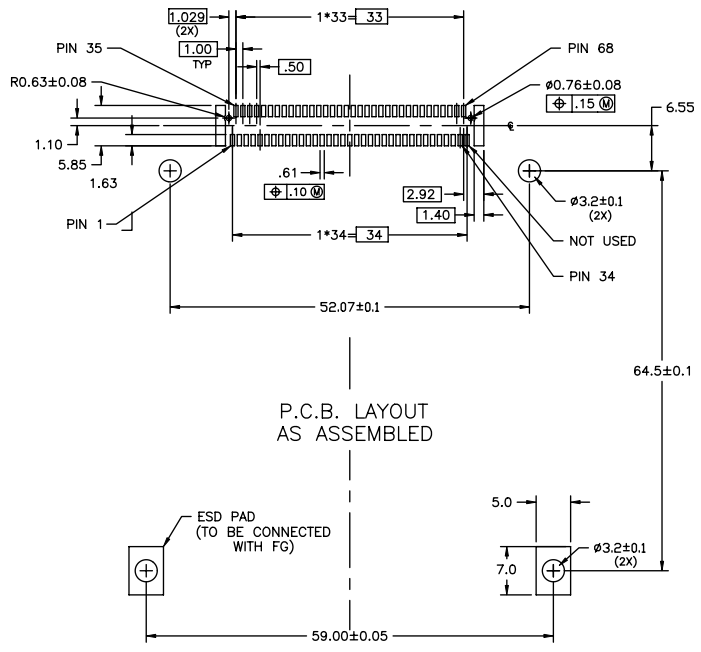
mat'l. code		tolerances unless otherwise specified		CUSTOMER COPY	
ltr	ecn no	dr	date	.X ±.3	projection
A	V91314	CGC	6/8/99	.XX ±.13	title
B	V03-0517	WL	05/29/03	.XXX ±.051	VTB HEADER ASSY
C	T03-0341	WL	08/18/03	0' ±2'	WITH 6mm STAND-OFF
		dr	G.CLEMENS	6/8/99	product family
		enrg	D BRANN	6/8/99	PCMCIA
		chr	D BRANN	6/8/99	code
		appd	D.BRANN	6/8/99	size
sheet	revision	C	B	C	scale
index	sheet	1	2	3	1/1
					product size
					A4
					dwg no
					74920
					sheet
					1 of 4

All rights strictly reserved. Reproduction or issue to third parties in any form, whatever is not permitted without written authority from the proprietor. Property of ©BERG ELECTRONICS Copyright BERG ELECTRONICS INC.



Tous droits strictement reserves. Reproduction ou communication a des tiers interdite sous quelque forme que ce soit sans autorisation écrite du propriétaire. Propriete de ©BERG ELECTRONICS. Droits de reproduction BERG ELECTRONICS INC.

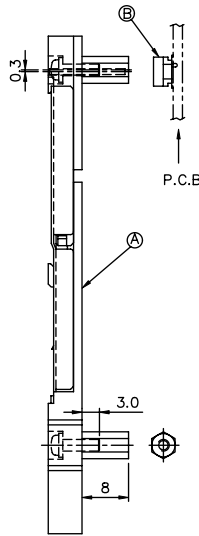
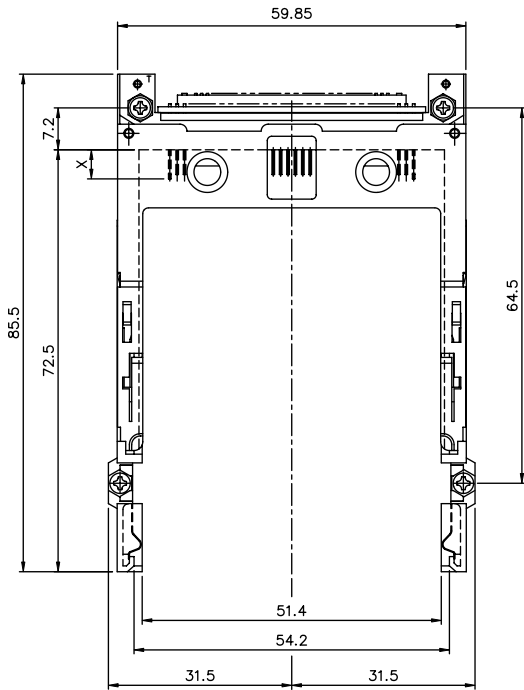
Tous droits strictement réservés. Reproduction ou communication a des tiers interdite  
 sous quelque forme que ce soit sans autorisation écrite du propriétaire.  
 Property of ©BERG ELECTRONICS. Droits de reproduction BERG ELECTRONICS INC.



P.C.B. LAYOUT  
AS ASSEMBLED

mat'l. code				tolerances unless otherwise specified		CUSTOMER COPY		<b>BERG ELECTRONICS</b>			
ltr	ecr no	dr	date	linear	.X ±.3		projection	title			
B					.XX ±.13			VTB HEADER ASSY			
				angles	.XXX ±.051		← mm →	WITH 6mm STAND-OFF			
					0° ±2°			product family PCMCIA			
				dr	G.CLEMENS	6/8/99	scale 1:1	A4	product family PCMCIA		
				enrg	D.BRANN	6/8/99				size dwg no	code -
				chr	D.BRANN	6/8/99					
				appd	D.BRANN	6/8/99					
sheet index	revision sheet										

PRODUCT NO.  
74920-080



**NOTES:**

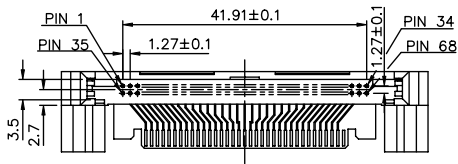
1. 8mm MIN. CARD EJECT.
2. MATERIAL
  - 2.1 HEADER ASS'Y  
 PLASTIC : HOUSING ...LCP UL94V-0 BLACK  
 PIN : COPPER ALLOY  
 PCB : FR4
  - 2.2 MECHANISM ASS'Y  
 PLASTIC :  
 GUIDE: POLYPHTHARAMID UL94V-0 BLACK  
 PLATE : STAINLESS  
 EMI CONTACT: PHOSPHOR BRONZE  
 STAND-OFF : BRASS
3. FINISH (PIN)
  - UNDER PLATING : 0.5 um MIN. Ni
  - CONTACT AREA : 0.1 um MIN. GOLD OVER  
 0.5 um MIN. Pd-Ni
  - SOLDER TAIL : 2.5 um MIN. Sn-Pb
  - STAND-OFF : 2 um MIN. Ni.

4. DIM "X"

4.25±0.1	3.5±0.1	5.0±0.1
OTHERS	36,67	1,17,34,35,51,68

**ORDERING INFORMATION**

NAME	PART NO.	Q'TY
Ⓐ EJECT HEADER ASS'Y	74920-080	1
Ⓑ MATING RECEPTACLE	91931-31169	1

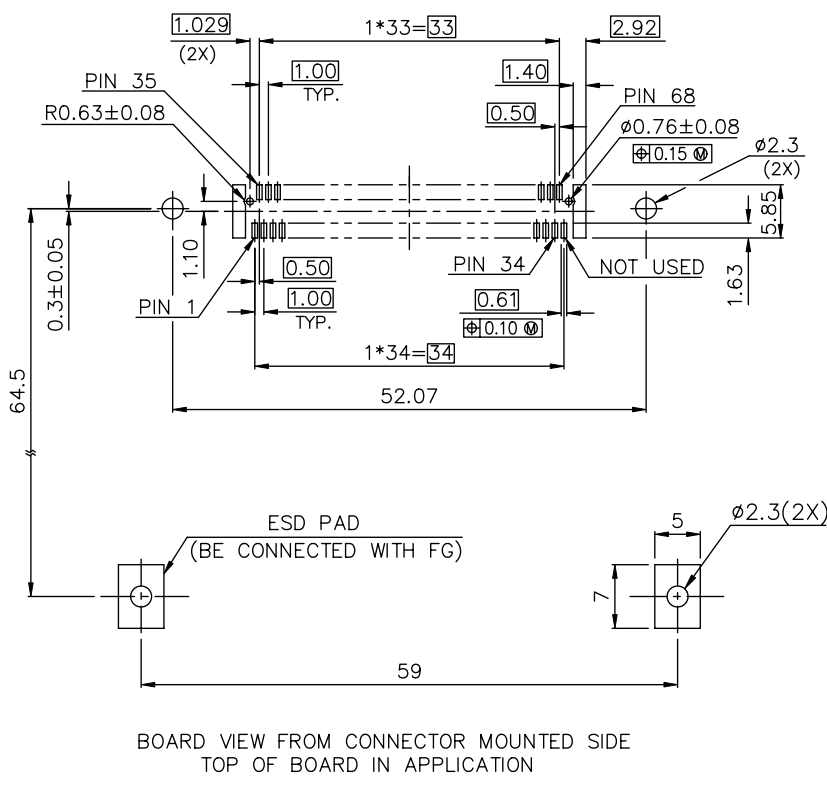


mat'l code	tolerance unless otherwise specified	CUSTOMER COPY	www.fciconnect.com
rev. ecn no. dr date	linear ± 0.30	projection	
C	angles ± 2'		title EJECTOR HEADER ASS'Y WITH 8mm STAND-OFF product family PAKCA size A3 dwg no. 74920 code sheet 3 of
dr WENDY CHEN 08/11/03	unit mm/inch	scale 1.2:1	
enqr NICK HSU 08/11/03			
chr NICK HSU 08/11/03			
appd JENN TSAO 08/11/03			
sheet revision index sheet			

Tous droits strictement réservés. Reproduction ou communication de ces plans int  
 sous quelque forme que ce soit, sans autorisation écrite du propriétaire.  
 Droits de reproduction: BERG ELECTRONICS by  
 A FCI  
 C  
 D

PRODUCT NO.  
74920-080

Tous droits strictement réservés. Reproduction ou communication à des tiers sans autorisation écrite du propriétaire.  
 sous quelque forme que ce soit, sans autorisation écrite du propriétaire.  
 Droits de reproduction BERG ELECTRONICS by  
 Copyright BERG ELECTRONICS by  
 All rights strictly reserved. Reproduction or issue to third parties in any form or by any means, without written authority from the proprietor.  
 Copyright BERG ELECTRONICS by



BOARD VIEW FROM CONNECTOR MOUNTED SIDE  
TOP OF BOARD IN APPLICATION

mat'l code		tolerance unless otherwise specified		CUSTOMER COPY		<b>FCI</b> www.fciconnect.com	
rev.	ecn no.	dr	date	linear	± 0.1	projection	title
C				angles	± 2°		EJECTOR HEADER ASS'Y WITH 8mm STAND-OFF
				dr	WENDY CHEN 08/11/03	unit	product family
				engr	NICK HSU 08/11/03	mm/inch	PKCA
				chr	NICK HSU 08/11/03	scale	size
				appd	JENN TSAO 08/11/03	1.2:1	dwg no.
sheet	revision						code
index	sheet						A3
							74920
							sheet 4 of