

## Excellent Integrated System Limited

Stocking Distributor

Click to view price, real time Inventory, Delivery & Lifecycle Information:

[FCI](#)  
[HM2P08PKJ2F5GF](#)

For any questions, you can email us directly:  
[sales@integrated-circuit.com](mailto:sales@integrated-circuit.com)

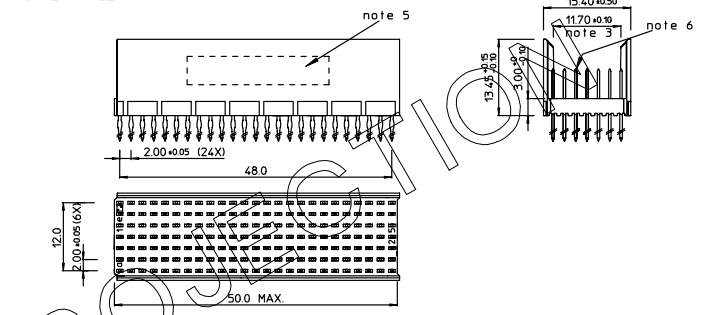
BS,C ,201843,888	D	GEN. ST.	01	02	03	04	05	06	07	08	0D	50	60	70	80	90																	
		INT. ST.	10	11	12	13	14	18	20	31	32	33	34	38	39	40	42	43	44	45	46	48	56	70	72	73	75	76	81	82	83	84	88

REV	DATE	DESCRIPTION	BY	C'K'D'
A	2001-09-14	CONVERSION REVISION 02	KN	
B	2002-05-28	EC 82086	VF	
C	2005-11-07	105-0218	VIVEK	BKP
D	2006-08-02	106-9118	ALEX B	BKP

LOADING PATTERN MATING SIDE

f	6	6	6	6	6	6	6	6	6	K	K	K	K	K	6	6	6	6	K	K	K	K	K	K	
e	4	4	4	4	4	4	4	4	4	7	7	7	7	7	4	4	4	4	7	7	7	7	7	7	7
d	4	4	4	4	4	4	4	4	4	7	7	7	7	7	4	4	4	4	7	7	7	7	7	7	7
c	4	4	4	4	4	4	4	4	4	4	4	4	4	4	4	4	4	4	7	7	7	7	7	7	7
b	4	4	4	4	4	4	4	4	4	7	7	7	7	7	4	4	4	4	7	7	7	7	7	7	7
a	4	4	4	4	4	4	4	4	4	7	7	7	7	7	4	4	4	4	7	7	7	7	7	7	7
z	0	0	0	0	0	0	0	0	0	0	0	0	0	0	0	0	0	0	0	0	0	0	0	0	0
SOP	0	1	0	5	1	0	1	5	2	0	2	5													

LOADED CONNECTOR ASSEMBLY (FOR EXAMPLE)

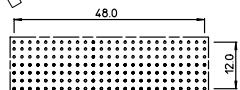
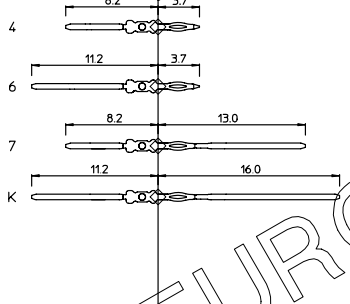


SHEET NR. : 971

CONTACT OVERVIEW

SEATING PLANE FOR CONNECTOR

LAY-OUT P.C.B.-HOLE



LEAD FREE INDICATOR : LF = LEAD FREE (DIGIT 15 & 16)  
 HM2P08PK J2F5 **LF**  
 PLATING CODE (DIGIT 13 AND 14) (REF DWG No. BS,C ,201844,003)

NOTES:

- THIS PRODUCT IS CSA APPROVED.
- THIS PRODUCT IS UL RECOGNIZED.
- MEASURED AT THE BOTTOM.
- MATERIAL CONTACT: PHOSPHORBRONZE  
HOUSING: CREAM WHITE GLASSFILLED POLYESTER UL-94V0
- CONNECTOR PRINTED WITH P/N AND DATE CODE.
- FOR ACTUAL CONTACT LOADINGS, SEE LOADING PATTERN MATING SIDE.
- SHAPE OF CONNECTOR HOUSING CAN ALTER DEPENDING ON PRODUCTION LOCATION.
- THE PRODUCT (LF) MEETS EUROPEAN UNION DIRECTIVES AND OTHER COUNTRY REGULATIONS AS DESCRIBED IN GS-22-008
- FOR RECOMMENDED PTH DIMENSIONS REFER DRAWING : BS,A ,201572,001

1DEC ±0,2 2DEC ±0,1 ANGLES ±1°	APPR. DRAFT CHECKED	DATE 13-12-99	SIGN. M.Fre	LOADING PATTERN OVERVIEW CAT. No. HM2P08PKJ2F5----	SCALE
WE RESERVE THE RIGHT TO CHANGE DIMENS (ONS) OR REGR./REMENTS WITHOUT PRIOR NOTICE. ALL DIMENSIONS IN MM	PROD. MGR PR. ENG. MGR PR. MGT. MGR			FCJ www.fciconnect.com	
	REFERENCES			BS,C ,201843,888	D

THIS IS OUR EXCLUSIVE PROPERTY. IT IS NOT TO BE COPIED, REPRINTED OR DISCLOSED TO A THIRD PARTY... DIT IS ONZE EIGENDOM EN MAG NIET WERDEN... HERDRUKT, OVERNEMT AM... OFERD, NIET VOOR FABRICATIE GEBRUIKT WORDEN, ZONDER ONZE SCHRIFTELIJKE TOELATING. B.I.J. NIET GEBRUIK IS VERBODENDE WERK LOFT.