

Excellent Integrated System Limited

Stocking Distributor

Click to view price, real time Inventory, Delivery & Lifecycle Information:

[FCI](#)
[HM2P07PNH270GFLF](#)

For any questions, you can email us directly:
sales@integrated-circuit.com

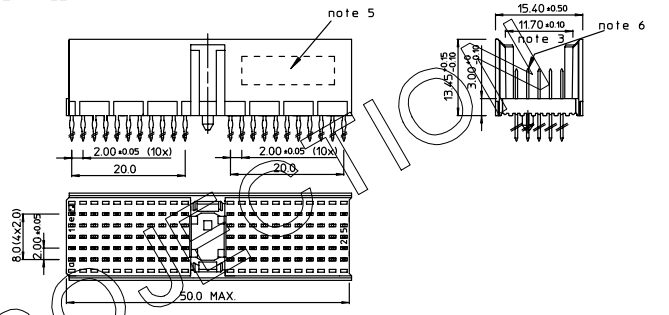
BS,C .201843,840	D	GEN. ST.	01	02	03	04	05	06	07	08	0D	50	60	70	80	90																	
		INT. ST.	10	11	12	13	14	18	20	31	32	33	34	38	39	40	42	43	44	45	46	48	56	70	72	73	75	76	81	82	83	84	88

REV	DATE	DESCRIPTION	BY	C'K'D'
A	2001-09-14	CONVERSION REVISION 02	KN	
B	2002-05-28	EC 820086	PF	
C	2005-10-17	105-0196	ALEX B	BKP
D	2006-08-01	106-0118	ALEX B	BKP

LOADING PATTERN MATING SIDE

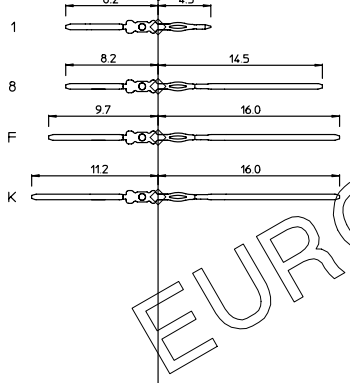
f	0	0	0	0	0	0	0	0	0	0	0	0	0	0	0	0	0	0	0	0	0	0	0	0	0	0	0	0	0	0	0	0			
e	F	F	0	0	0	0	K	K	8	8	8	8	8	8	8	8	8	8	8	1	1	8	8	1	1	8	8	1	1	8	8	1	1		
d	F	F	0	0	0	0	F	F	8	8	8	8	8	8	8	8	8	1	1	8	8	1	1	8	8	1	1	8	8	1	1	8	8		
c	F	F	0	0	0	0	K	K	K	K	8	8	K	K	8	8	K	K	K	1	1	8	8	1	1	8	8	1	1	8	8	1	1		
b	F	F	0	0	0	0	F	F	8	8	8	8	8	8	8	8	8	1	1	8	8	1	1	8	8	1	1	8	8	1	1	8	8		
a	F	F	0	0	0	0	K	K	8	8	8	8	8	8	8	8	8	8	1	1	8	8	1	1	8	8	1	1	8	8	1	1	8	8	
z	0	0	0	0	0	0	0	0	0	0	0	0	0	0	0	0	0	0	0	0	0	0	0	0	0	0	0	0	0	0	0	0	0	0	
SOP	0	1	0	5	0	1	5	0	0	0	0	0	0	0	0	0	0	0	0	0	0	0	0	0	0	0	0	0	0	0	0	0	0	0	
	1																																		

LOADED CONNECTOR ASSEMBLY (FOR EXAMPLE)



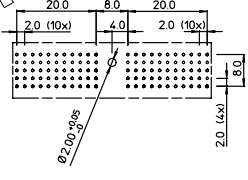
SHEET NR. : 922

CONTACT OVERVIEW



SEATING PLANE FOR CONNECTOR

LAY-OUT P.C.B.-HOLE



LEAD FREE INDICATOR : LF = LEAD FREE (DIGIT 15 & 16)
 PLATING CODE (DIGIT 13 AND 14) (REF DWG No. BS,C .201844,003)

NOTES:

- THIS PRODUCT IS CSA APPROVED.
- THIS PRODUCT IS UL RECOGNIZED.
- MEASURED AT THE BOTTOM.
- MATERIAL CONTACT: PHOSPHORBRONZE
HOUSING: CREAM WHITE GLASSFILLED POLYESTER UL-94V0
- CONNECTOR PRINTED WITH P/N AND DATE CODE.
- FOR ACTUAL CONTACT LOADINGS, SEE LOADING PATTERN MATING SIDE.
- SHAPE OF CONNECTOR HOUSING CAN ALTER DEPENDING ON PRODUCTION LOCATION.
- THE PRODUCT (LF) MEETS EUROPEAN UNION DIRECTIVES AND OTHER COUNTRY REGULATIONS AS DESCRIBED IN GS-22-008
- FOR RECOMMENDED PTH DIMENSIONS REFER DRAWING : BS,A .201572,001

1DEC ±0,2 2DEC ±0,1 ANGLES ±1°	APPR. DATE SIGN. DRAFT 1999-10-18 M.FrE) CHECKED	LOADING PATTERN OVERVIEW
WE RESERVE THE RIGHT TO CHANGE DIMENS (ONS) OR REGS/REMENTS WITHOUT PRIOR NOTICE.	PROD MGR PR ENG MGR PR MGT MGR	CAT. No. HM2P07PNH270----
ALL DIMENSIONS IN MM	REFERENCES	FCJ www.fciconnect.com
		BS,C .201843,840
		D

THIS IS OUR EXCLUSIVE PROPERTY. IT IS NOT TO BE COPIED, REPRINTED OR DISCLOSED TO A THIRD PARTY, NOR USED FOR MANUFACTURING WITHOUT OUR WRITTEN CONSENT, AND HAS TO BE RETURNED TO US IN CASE OF NO USAGE.
 DIT IS ONZE EIGENDOM EN MAG NIEMANDT. HERDRIJKT, OVERNAMEKT AN DERDE, NIEMANDT. NIEMANDT GEBRUIKT WORDEN, ZONDER ONZE SCHRIFTELIJKE TOELATING. HET NIJES GEBRUIK IS VERBODEN.