

Excellent Integrated System Limited

Stocking Distributor

Click to view price, real time Inventory, Delivery & Lifecycle Information:

[FCI](#)
[HM2P88PNE170GF](#)

For any questions, you can email us directly:
sales@integrated-circuit.com

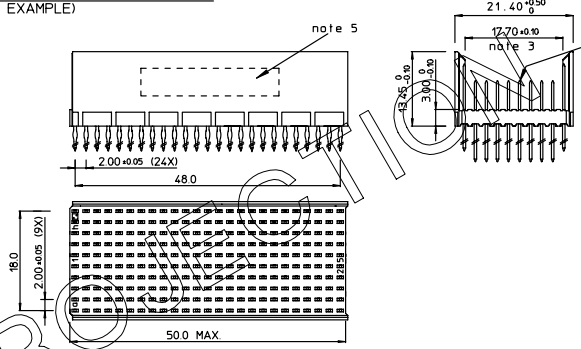
BS.C .202175.136	C	GEN. ST.	.01	.02	.03	.04	.05	.06	.07	.08	.0D	.50	.60	.70	.80	.90	REV	DATE	DESCRIPTION	BY	C'K'D'
		INT. ST.	10	11	12	13	14	18	20	31	32	33	34	38	39	40	A	2001-09-14	CONVERSION REVISION 01	KH	
																	B	2005-11-09	195-2226	ALEX B	BKP
																	C	2006-08-05	196-9143	VIVEK	BKP

LOADING PATTERN MATING SIDE

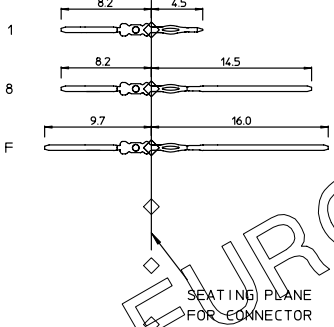
Y	8	8	8	8	8	8	8	8	8	8	8	8	8	8	1	1	8	1	1	1	8	1	1	1	1	1	1	1	1
h	8	8	8	8	8	8	8	8	8	8	8	8	8	8	1	1	8	1	1	1	8	1	1	1	1	1	1	1	1
g	8	8	8	F	8	8	F	F	8	8	F	F	F	F	F	F	F	F	F	F	F	F	F	F	F	F	F	F	F
f	8	8	8	F	8	8	F	F	8	8	F	F	F	F	F	F	F	F	F	F	F	F	F	F	F	F	F	F	F
e	8	8	8	8	8	8	8	8	8	8	8	8	8	8	1	1	8	1	1	1	8	1	1	1	1	1	1	1	1
d	8	1	1	8	8	1	1	8	8	1	1	8	8	8	8	1	1	8	1	1	1	8	1	1	1	1	1	1	1
c	8	F	F	1	1	F	F	1	1	F	F	F	F	F	F	F	F	F	F	F	F	F	F	F	F	F	F	F	F
b	8	1	1	8	8	1	1	8	8	1	1	8	8	8	8	8	8	8	8	8	8	8	8	8	8	8	8	8	8
a	8	8	8	1	1	8	8	1	1	8	8	8	8	8	8	8	8	8	8	8	8	8	8	8	8	8	8	8	8
Z	0	1	1	0	5	1	0	1	1	5	1	0	2	0	2	5	2	0	2	5	2	0	2	5	2	0	2	5	2

SHEET NR. : 127

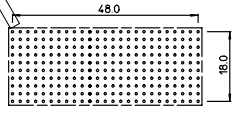
LOADED CONNECTOR ASSEMBLY
(FOR EXAMPLE)



CONTACT OVERVIEW



LAY-OUT P.C.B. -HOLE



LEAD FREE INDICATOR : LF = LEAD FREE (DIGIT 15 & 16)
 HM2P88PNE170 = LF
 PLATING CODE (DIGIT 13 AND 14) (REF DWG No. BS.C .201844.003)

- NOTES:**
1. THIS PRODUCT IS CSA APPROVED.
 2. THIS PRODUCT IS UL RECOGNIZED.
 3. MEASURED AT THE BOTTOM.
 4. MATERIAL CONTACT: PHOSPHORBRONZE
HOUSING: CREAM WHITE GLASSILLED POLYESTER UL-94V0
 5. CONNECTOR PRINTED WITH P/N AND DATE CODE.
 6. FOR ACTUAL CONTACT LOADINGS, SEE LOADING PATTERN MATING SIDE.
 7. SHAPE OF CONNECTOR HOUSING CAN ALTER DEPENDING ON PRODUCTION LOCATION.
 8. THE PRODUCT (LF) MEETS EUROPEAN UNION DIRECTIVES AND OTHER COUNTRY REGULATIONS AS DESCRIBED IN GS-22-008
 9. FOR RECOMMENDED PTH DIMENSIONS REFER DRAWING : BS.A .201572.001

1DEC +0.2 2DEC +0.1 ANGLES +1°	APPR. DRAFT	DATE 1999-10-05	SIGN. G.NYS	LOADING PATTERN OVERVIEW (8+2 ROW)
WE RESERVE THE RIGHT TO CHANGE DIMENSIONS OR REQUIREMENTS WITHOUT PRIOR NOTICE.	CHECKED			CAT. No. HM2P88PNE170----
ALL DIMENSIONS IN MM	PROD. MGR			FCI www.fciconnect.com
	PR. ENG. MGR			SCALE
	PR. MGT. MGR			BS.C .202175.136
	REFERENCES			C
				DRAWING No. CUSTOMER DRAWING REVISION

THIS IS OUR EXCLUSIVE PROPERTY. IT IS NOT TO BE COPIED, REPRINTED OR DISCLOSED TO A THIRD PARTY, NOR USED FOR MANUFACTURING WITHOUT OUR WRITTEN CONSENT. AND HAS TO BE RETURNED TO US IN CASE OF NO USAGE
 DIT IS ONZE EIGENDOM EN MAG NIET HADENHAFT, VERDRAKT, OVERNEMEN AM GEDRUK. NOCH VOOR FABRICATIE GEBRUIKT WORDEN, ZONDER ONZE SCHRIFTELIJKE TOELATING. BIJ NIET GEBRUIK IS TERUGZENDING VERPLICHT.