

Excellent Integrated System Limited

Stocking Distributor

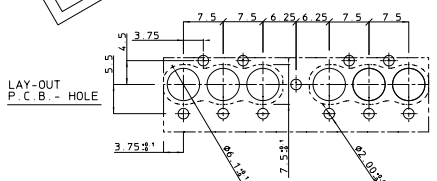
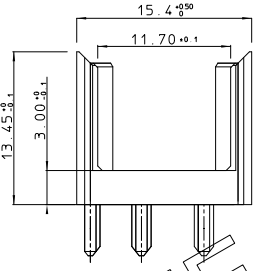
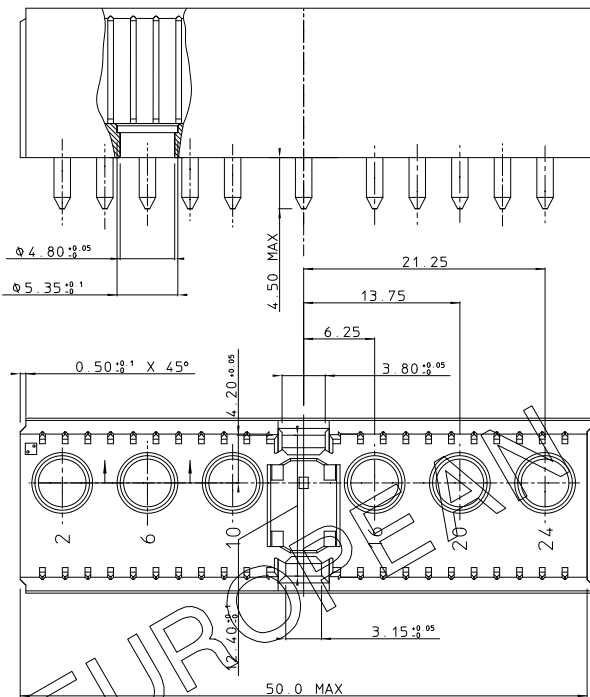
Click to view price, real time Inventory, Delivery & Lifecycle Information:

[FCI](#)
[HM2P10P1LF](#)

For any questions, you can email us directly:
sales@integrated-circuit.com

BS,C,201632,004

| REV. | DATE | DESCRIPTION | BY | C'K'D' |
|------|----------|------------------------|------|--------|
| A | 14-09-01 | CONVERSION REVISION 04 | KN | |
| 04 | 05.06.01 | BEC 9.3525 | R.M. | |



LAY-OUT P.C.B - HOLE

THIS IS OUR EXCLUSIVE PROPERTY. IT IS NOT TO BE COPIED, REPRINTED OR DISCLOSED TO A THIRD PARTY, NOR USED FOR MANUFACTURING WITHOUT OUR WRITTEN CONSENT, AND HAS TO BE RETURNED TO US IN CASE OF NO USAGE.

DIT IS ONZE EIGENDOM EN MAG NIET AFGEKOPIEERD, OVERGEDRUKT, OVERGEGEVEN AAN DEREN, NOCH VOOR FABRIKATIE GEBRUIKT WORDEN, ZONDER ONZE SCHRIFTELIJKE TOELATING. BIJ NIET GEBRUIK IS TERUGGEGANGEN VERPLICHT.

PROJECTION

- NOTES
- THIS PRODUCT IS CSA APPROVED.
 - THIS PRODUCT IS UL RECOGNIZED.

| | | | |
|---|----------------------------------|------------------|----------|
| MALE BODY FOR 6 SPECIAL CONTACTS (WIDE VERSION) | | | |
| 1DEC +0.2 1DEC | APPR. | DATE | SIGN. |
| 2DEC +0.1 2DEC | DRAFT | 250893 | W.Panis |
| ANGLES +1° HOEKEN | CHECKED | | |
| WE RESERVE THE RIGHT TO CHANGE DIMENSIONS OR REQUIREMENTS WITHOUT PRIOR NOTICE. | PROD. MGR | | |
| ALL DIMENSIONS IN MM | PR. ENG. MGR | | |
| | PR. MGT. MGR | | |
| | REFERENCES / REFERENTIES | | |
| ALLE AFMETINGEN IN MM | MILLIPACS 2 / TYPE L | | |
| | CAT. No. HM2P10P1 | | |
| | | | SCALE |
| | FCI MECHELEN N.V. | | 3/1 |
| | A SPINDYSTRAAAT 8, 2800 MECHELEN | | |
| | DRAWING No. | CUSTOMER DRAWING | REVISION |
| | BS,C,201632,004 | A | |