

Excellent Integrated System Limited

Stocking Distributor

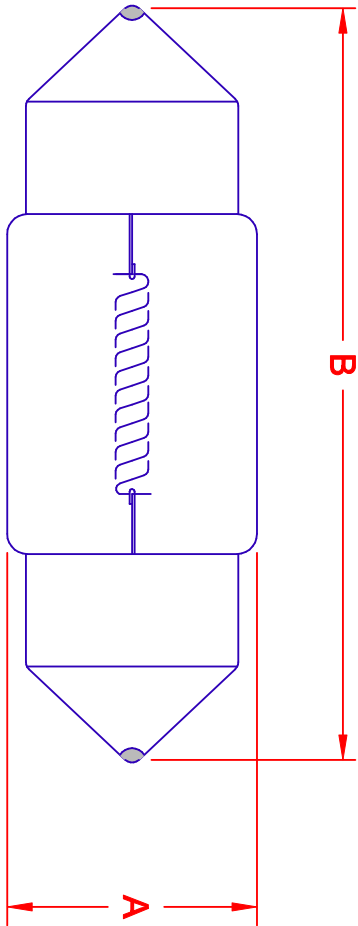
Click to view price, real time Inventory, Delivery & Lifecycle Information:

[JKL Components Corporation](#)
[A3178B](#)


For any questions, you can email us directly:

sales@integrated-circuit.com

REV.	DESCRIPTION/ECO NO.	DATE
	RELEASE & CANCEL P-0305-05	8/19/03



JKL LAMP NUMBER	DIMENSIONS		RATED VOLTS	RATED WATTS	DESIGN VOLTS	ELECTRIC RATING			DESIGN LUMENS	DESIGN LIFE	FILAMENT TYPE
	DIAMETER A	LENGTH B				DESIGN AMPS ±10%	MSCP	LUMENS			
A-3178B	10 ± 0.5	30 ± 1	24.0	8W	24.0	0.33	6.0	75	450	C-8	

 METRIC THIRD ANGLE PROJECTION		DIMENSIONS ARE IN MILLIMETERS TOLERANCE UNLESS OTHERWISE SPECIFIED 1 PL +/- 0.2 2 PL +/- 0.20 ANGLE +/- 0		JKL COMPONENTS CORPORATION 24V, 8 WATT FESTOON LAMP	
DRAWN BY L. WENGSTROM	APPRD BY J.K.	DATE 8/19/03	SIZE A	FORM NO. 55335	DRAWING NO. A3178B
- CAD DRAWING - MANUAL REVISIONS NOT PERMITTED			SCALE NONE	RELEASED DATE 8/19/03	REVISION DATE
			REV. NO.	1	SHEET 1 OF 1