

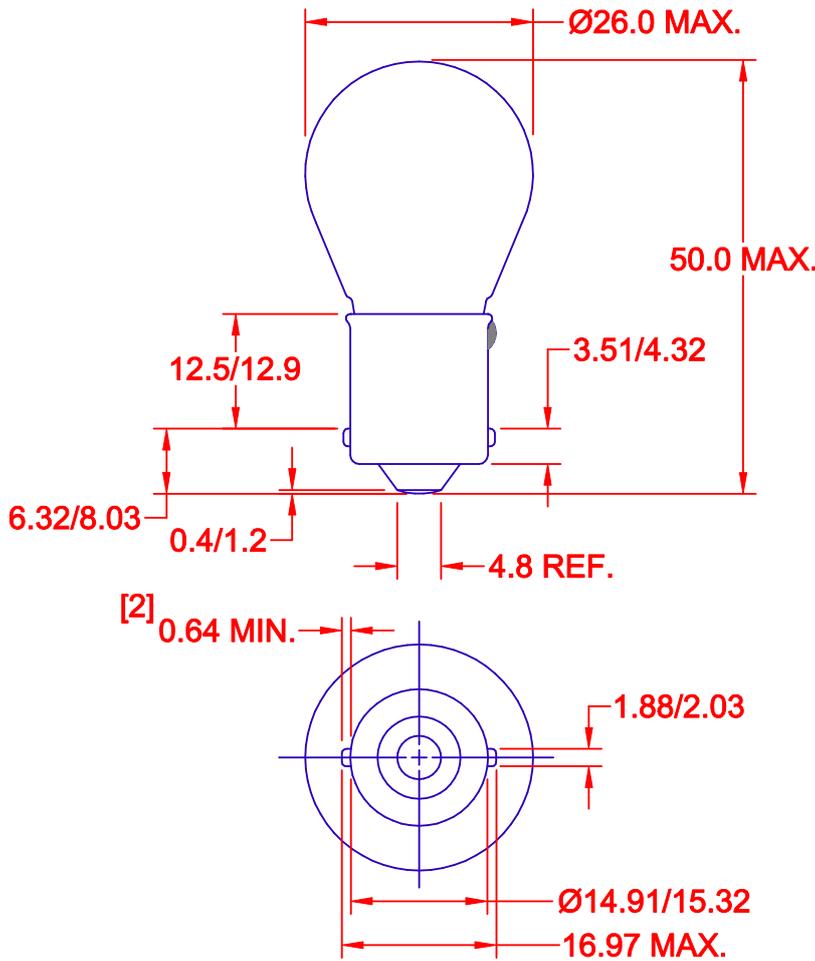
Excellent Integrated System Limited

Stocking Distributor

Click to view price, real time Inventory, Delivery & Lifecycle Information:

For any questions, you can email us directly:

sales@integrated-circuit.com



JKL LAMP NUMBER	VOLTS RATED	AMPS ±10%	MSCP ±25%	LUMENS ±25%	AVERAGE LIFE HRS.	FILAMENT TYPE
1680	6.0	4.10	32.0	402.2	300	C-6
1295	12.5	3.00	50.0	628.5	300	C-2R
93	12.8	1.04	15.0	188.6	700	C-6
1073	12.8	1.80	32.0	402.2	200	C-6
1156	12.8	2.10	32.0	402.2	1,200	C-6
305	28.0	.51	15.0	188.6	300	*C-2V
1691	28.0	.61	15.0	188.6	1,000	2C-2R
2232	28.0	.643	17.0	213.7	2,000	CC-8
307	28.0	.67	21.0	264.0	300	*C-2V
2233	28.0	.77	21.0	264.0	2,000	CC-8
1665	28.0	.80	21.0	264.0	1,000	*C-2V
1683	28.0	1.02	32.0	402.2	500	2C-6

* SUPPORTED

<p>THIRD ANGLE PROJECTION</p>	<p>METRIC</p> <p>DIMENSIONS ARE IN MILLIMETERS</p> <p>TOLERANCE UNLESS OTHERWISE SPECIFIED</p> <p>1 PL +/- 0.2</p> <p>2 PL +/- 0.20</p> <p>ANGLE +/- 0</p>	<p>JKL COMPONENTS CORPORATION</p>			
	<p>TITLE</p> <p style="text-align: center;">S-8 SINGLE CONTACT BAYONET BASE LAMP</p>				
<p>DRAWN BY</p> <p>L. WENGSTROM</p>	<p>APPVD BY</p> <p>J.K.</p>	<p>DATE</p> <p>1/27/03</p>	<p>SIZE</p> <p>A</p>	<p>FSCM NO.</p> <p>55335</p>	<p>DRAWING NO.</p> <p>BAYONET SINGLE CONTACT S-8</p>
<p>- CAD DRAWING -</p> <p>MANUAL REVISIONS NOT PERMITTED</p>			<p>SCALE</p> <p>NONE</p>	<p>RELEASED DATE</p> <p>5/4/01</p>	<p>REVISION DATE</p> <p>1/27/03</p>
<p>REV. NO.</p>	<p>DESCRIPTION/ECO NUMBER</p>	<p>APPVD DATE</p>	<p>REV. NO.</p> <p>A</p>	<p>SHEET</p> <p>1 OF 1</p>	