

## Excellent Integrated System Limited

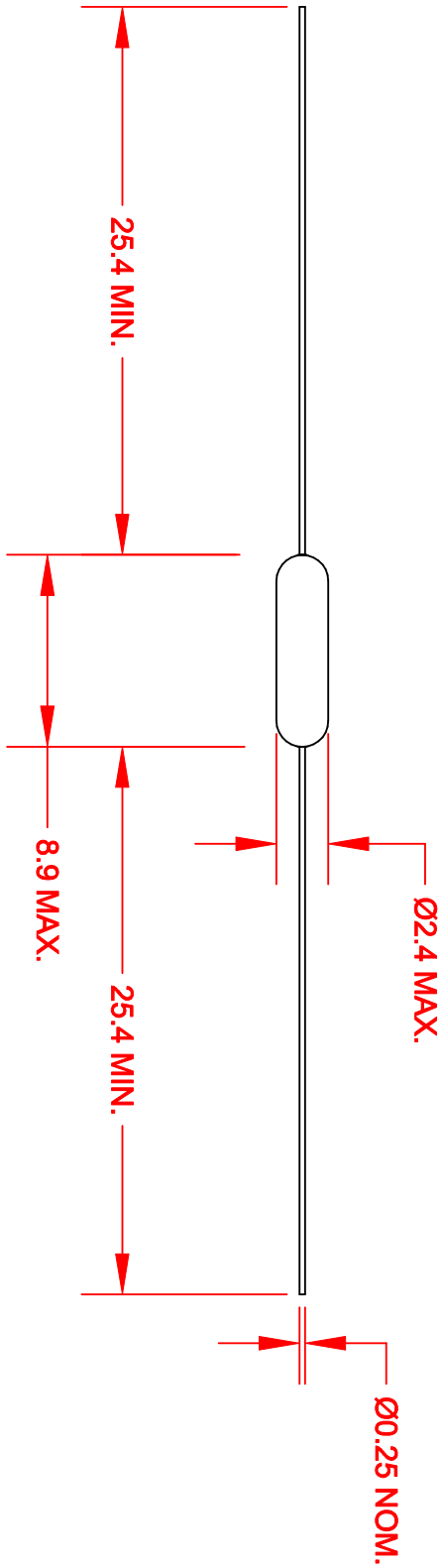
Stocking Distributor

Click to view price, real time Inventory, Delivery & Lifecycle Information:

[JKL Components Corporation](#)  
[7155](#)

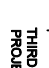
For any questions, you can email us directly:

[sales@integrated-circuit.com](mailto:sales@integrated-circuit.com)



JKL LAMP NUMBER	VOLTS RATED	AMPS $\pm 10\%$	MSCP $\pm 25\%$	LUMENS $\pm 25\%$	AVERAGE LIFE HRS.	FILAMENT TYPE
6835	5.0	.060	.050	0.63	100,000	C-8
7135	5.0	.075	.090	1.13	25,000	C-8
7155	5.0	.115	.150	1.89	40,000	C-8

REV.	DESCRIPTION/ECO NO.	DATE
	RELEASED AND CANCEL	10/11/00
	7156, 6805	

METRIC	DIMENSIONS ARE IN MILLIMETERS	TOLERANCE UNLESS OTHERWISE SPECIFIED
 THIRD ANGLE PROJECTION	1 PL. $\pm 0.2$ 2 PL. $\pm 0.20$ ANGLE $\pm 0$	
DRAWN BY L. WENGSTROM	APP'D BY Q.C.	DATE 10/11/00
- CAD DRAWING - MANUAL REVISIONS NOT PERMITTED		
<b>JKL COMPONENTS CORPORATION</b>	<b>TITLE</b> T - 3/4 STANDARD AXIAL LEAD LAMP	<b>SIZE</b> A
<b>FSCH NO.</b> 55335	<b>DRAWING NO.</b> AXIAL STANDARD T-3/4	<b>SCALE</b> NONE
<b>RELEASED DATE</b> 10/11/00	<b>REVISION DATE</b>	<b>REV. NO.</b> 1
<b>SHEET</b> 1 OF 1		