

Excellent Integrated System Limited

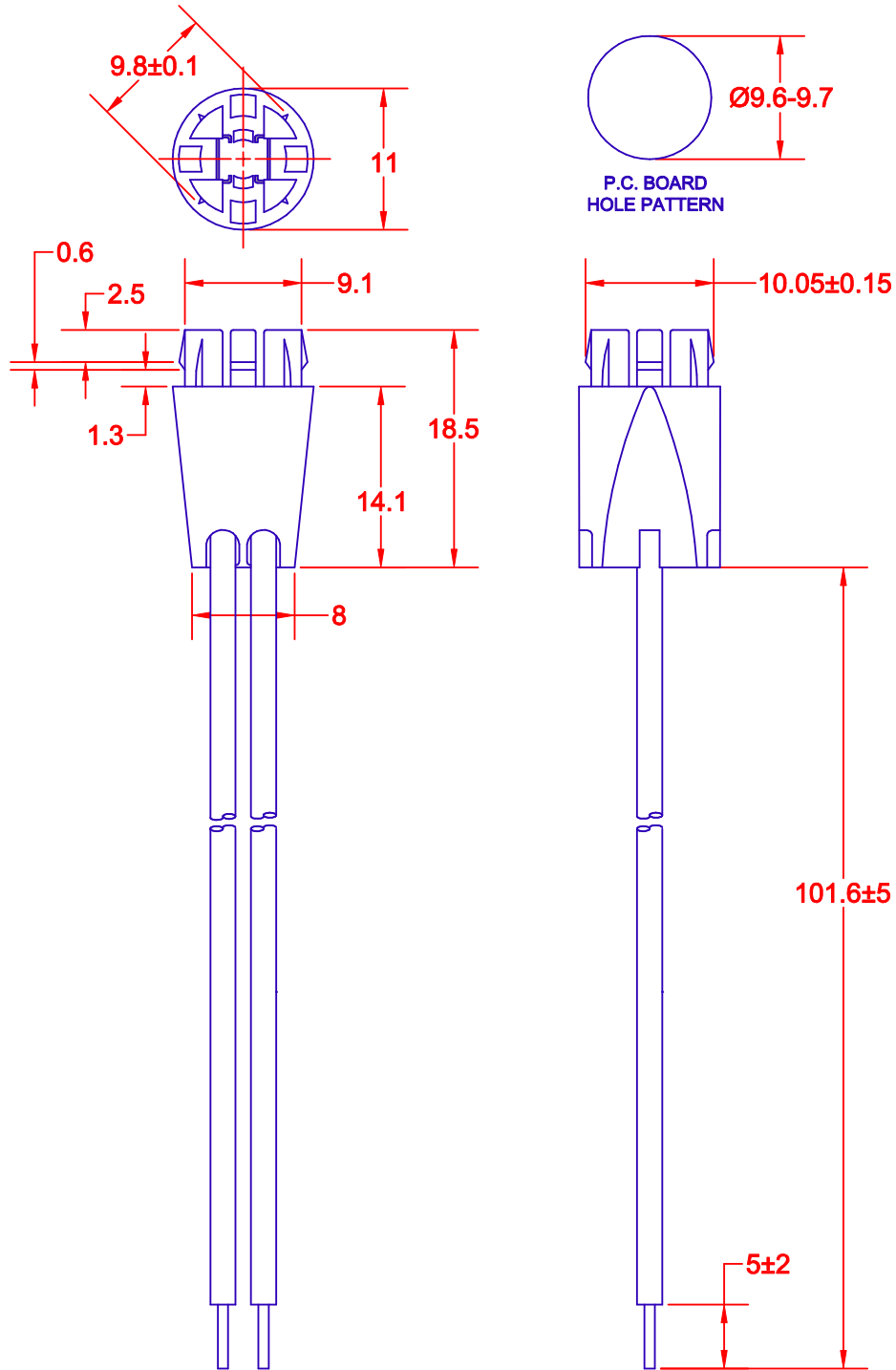
Stocking Distributor

Click to view price, real time Inventory, Delivery & Lifecycle Information:

[JKL Components Corporation](#)
[2958-4B](#)

For any questions, you can email us directly:

sales@integrated-circuit.com



JKL PART NO.: 2958-4B

SOCKET COLOR: BLACK

WIRE TYPE: 20 AWG (7/28) PVC INSULATED

WIRE COLOR: BLACK

<p>THIRD ANGLE PROJECTION</p>	<p>METRIC</p>	<p>DIMENSIONS ARE IN MILLIMETERS</p>	<p>JKL COMPONENTS CORPORATION</p>				
	<p>TOLERANCE UNLESS OTHERWISE SPECIFIED</p> <p>1 PL +/- 0.2</p> <p>2 PL +/- 0.20</p> <p>ANGLE +/-</p>	<p>TITLE</p> <p>T-1 1/2 PUSH-IN TYPE LAMP SOCKET</p>					
<p>DRAWN BY</p> <p>L. WENGSTROM</p>	<p>APPV'D BY</p> <p>J.K.</p>	<p>DATE</p> <p>9/25/02</p>	<p>SIZE</p> <p>A</p>	<p>FSCM NO.</p> <p>55335</p>	<p>DRAWING NO.</p> <p>SOCKET 2958-4B</p>		
<p>REV. NO.</p> <p>RELEASED</p>	<p>DESCRIPTION/ECO NUMBER</p>	<p>APPV'D DATE</p> <p>9/25/02</p>	<p>SCALE</p> <p>NONE</p>	<p>RELEASED DATE</p> <p>9/25/02</p>	<p>REVISION DATE</p>	<p>REV. NO.</p>	<p>SHEET</p> <p>1 of 1</p>
<p>- CAD DRAWING -</p> <p>MANUAL REVISIONS NOT PERMITTED</p>							