

Excellent Integrated System Limited

Stocking Distributor

Click to view price, real time Inventory, Delivery & Lifecycle Information:

[Johanson Technology Inc.](#)
[2450LP14B100T](#)

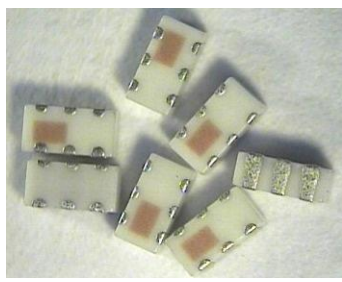
For any questions, you can email us directly:

sales@integrated-circuit.com

High Frequency Ceramic Solutions

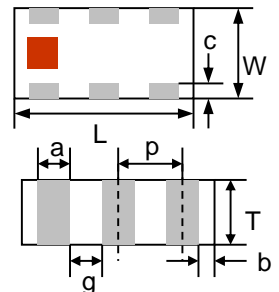
2450 MHz Harmonic Low Pass Filter EIA 0603, SMD **P/N 2450LP14B100**
 Detail Specification: 3/1/2016 Page 1 of 3

General Specifications	
Frequency (MHz)	2400 - 2500
Insertion Loss (dB)	0.50 max.
Attenuation (min.)	35 dB @ 2 x fo
Attenuation (min.)	25 dB @ 3 x fo
Power Capacity	3W max. (CW)
Recommended Storage Conditions (unmounted/unused product on T&R)	+5 ~ +35 °C, Humidity 45~75%RH
Operating Temperature	-40 to +85°C
Storage Temperature	-40 to +85°C



Part Number Explanation			
P/N Suffix	Packing Style	Bulk	Suffix = S 2450LP14B100S
		T & R	Suffix = T 2450LP14B100T (Reel Size: 4000pcs)
	Termination style	100% Tin	Suffix = None 2450LP14B100(T/S)
	50Ω SMA Connector Eval Board		2450LP14B100-EB-SMA (orderable p/n)

Mechanical Dimensions		
	In	mm
L	0.063 ± 0.004	1.60 ± 0.10
W	0.031 ± 0.004	0.80 ± 0.10
T	0.024 ± 0.004	0.60 ± 0.10
a	0.008 ± 0.004	0.20 ± 0.10
b	0.008 +.004/-.006	0.20 +0.1/-0.15
c	0.006 ± 0.004	0.15 ± 0.10
g	0.012 ± 0.004	0.30 ± 0.10
p	0.020 ± 0.002	0.50 ± 0.05



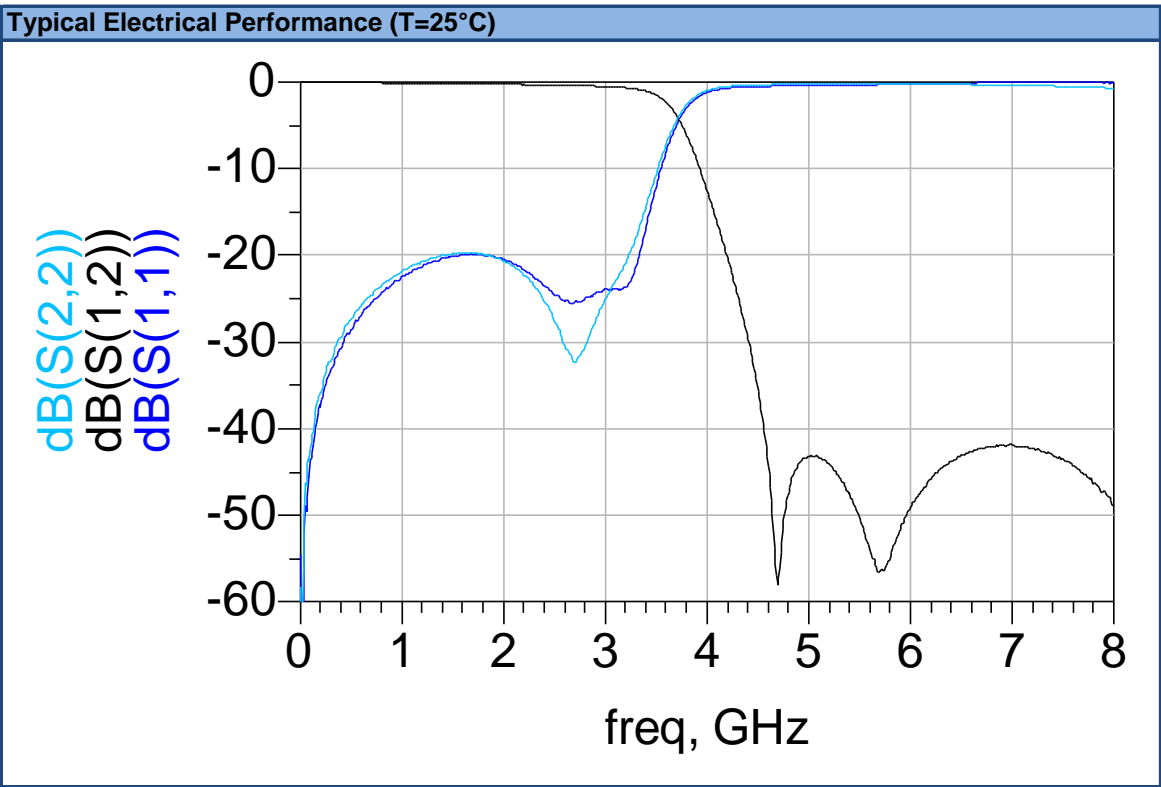
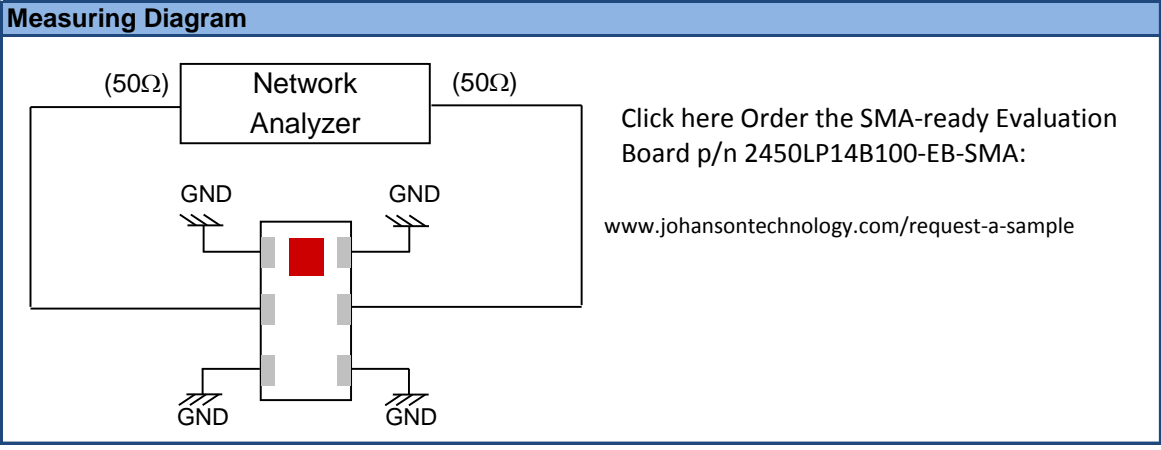
Terminal Configuration			
No.	Function	No.	Function
1	GND	4	GND
2	IN/OUT	5	IN/OUT
3	GND	6	GND

Mounting Considerations		
	<ul style="list-style-type: none"> Solder Resist Land Through-hole (ϕ0.35) If DC Blocking is required, use a 10-12pF capacitor in the I/Os 	<p>*Trace must be designed to a 50Ω characteristic impedance based on PCB material and thickness.</p> <p>Want the layout file or need us to revise your layout to make sure is correct? Send us a message at: www.johansontechnology.com/ask-a-question</p>

Johanson Technology, Inc. reserves the right to make design changes without notice.
 All sales are subject to Johanson Technology, Inc. terms and conditions.

High Frequency Ceramic Solutions

2450 MHz Harmonic Low Pass Filter EIA 0603, SMD **P/N 2450LP14B100**
 Detail Specification: 3/1/2016 Page 2 of 3



Johanson Technology, Inc. reserves the right to make design changes without notice.
 All sales are subject to Johanson Technology, Inc. terms and conditions.

High Frequency Ceramic Solutions

2450 MHz Harmonic Low Pass Filter EIA 0603, SMD

P/N 2450LP14B100

Detail Specification: 3/1/2016

Page 3 of 3

Packaging information

www.johansontechnology.com/tape-reel-packaging

Soldering Information

www.johansontechnology.com/typical-soldering-profile.html

RoHS Compliance

www.johansontechnology.com/rohs-compliance

MSL Info

www.johansontechnology.com/msl-rating

To Download Measured S-parameters for Evaluation and Simulation:

www.johansontechnology.com/low-pass-filters

For layout review contact our Applications Team at:

www.johansontechnology.com/ask-a-question

Johanson Technology, Inc. reserves the right to make design changes without notice.
All sales are subject to Johanson Technology, Inc. terms and conditions.