

Excellent Integrated System Limited

Stocking Distributor

Click to view price, real time Inventory, Delivery & Lifecycle Information:

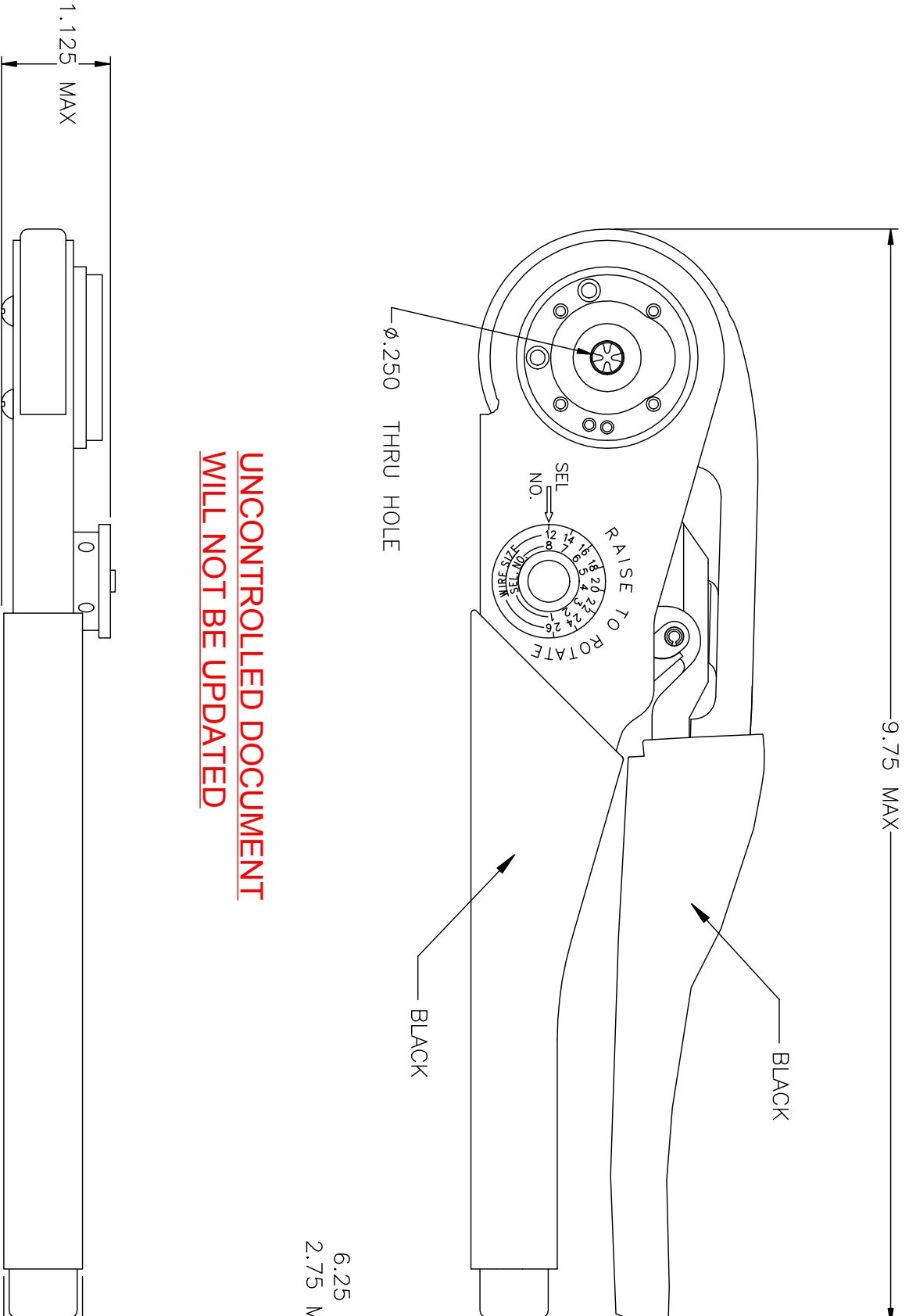
[Astro Tool Corp.](#)
[TGV101](#)

For any questions, you can email us directly:

sales@integrated-circuit.com

8	.0680	.0730
7	.0590	.0640
6	.0520	.0570
5	.0450	.0500
4	.0390	.0440
3	.0360	.0410
2	.0320	.0370
1	.0280	.0330
SEL #	GO	NO-GO
	±.0001	±.0001

GAGING DATA



**UNCONTROLLED DOCUMENT
WILL NOT BE UPDATED**


NOTES:
1. THIS IS AN AUTOCAD DRAWING DO NOT CHANGE MANUALLY.

REV.	DESCRIPTION	BY	DATE	APR.
A	NEW RELEASE	DYO	06-22-09	MMK

THESE DRAWINGS, SPECIFICATIONS OR OTHER DATA ARE AND REMAIN THE PROPERTY OF ASTRO TOOL CORP. AND MUST BE RETURNED UPON REQUEST. THEY CONTAIN INFORMATION OWNED AND/OR DEVELOPED BY ASTRO AT ITS OWN PRIVATE EXPENSE AND MAY NOT BE USED, DUPLICATED OR DISCLOSED TO OTHERS, IN WHOLE OR IN PART FOR DESIGN, MANUFACTURE OR PRODUCTION WITHOUT THE WRITTEN PERMISSION OF ASTRO TOOL CORP. EACH AND EVERY TIME.

SCALE: N.T.S.
DWN BY: DYO
DATE: 06-22-09
APPROVED:

UNLESS OTHERWISE SPECIFIED:
DECIMALS:
.XXX ± .005
.XX ± .010
.X ± .030
ANGLES:
± 1°



ASTRO TOOL CORP.
21615 S.W. TUALATIN VALLEY HWY., BEAVERTON, OR 97008
DESCRIPTION: ENVELOPE DRAWING
8 STEP ADJUSTABLE CRIMP TOOL
PART NO. B