

Excellent Integrated System Limited

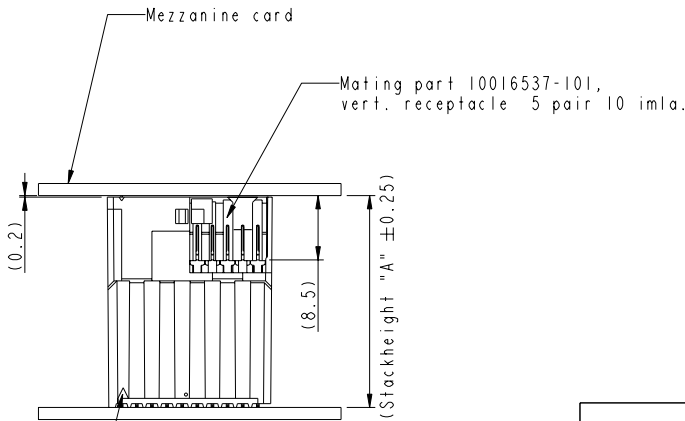
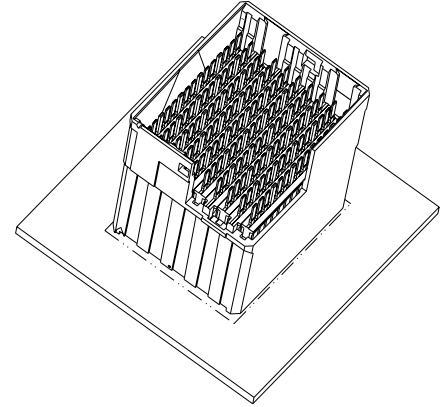
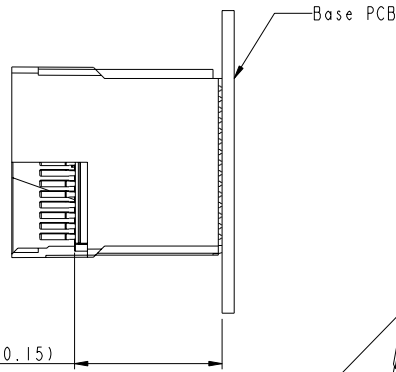
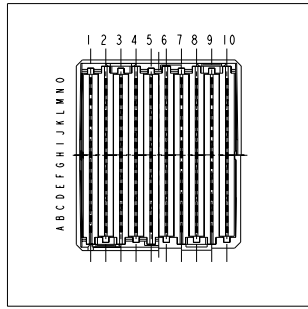
Stocking Distributor

Click to view price, real time Inventory, Delivery & Lifecycle Information:

[FCI](#)
[10056246-1070LF](#)

For any questions, you can email us directly:
sales@integrated-circuit.com

PART NUMBER:
SEE TABLE SHEET 2



External reference for pin 1

rev	ecn no	dr	date
A	H06-0012	RWE	2006-02-06
B	H06-0105	RWE	2006-06-20
C	S06-0307	DT	2006-09-12
D	S07-0112	DT	2007-04-13
E	S07-0169	DT	2007-05-18
-	-	-	-
-	-	-	-

www.fciconnect.com		surface -	tolerance std ISO 406	ISO 1101	projection	MM
Dr P. Poorter 2005-05-09		TOLERANCES UNLESS OTHERWISE SPECIFIED			size A3	Scale 1:1
Eng D. Tan 2007-05-18		ANGULAR	0.x	±		
Chr D. Tan 2007-05-18		LINEAR	0.xx	±	ECN	Spec ref
Appr Joey Ng 2007-05-18		0° ±"	0.xxx	±		
Product family AirMax VS		Title AirMax VS Mezzanine Vhdrs Assy		dwg no 10056246	Rev. E	
Press-fit, 10 Imla, 2mm, 150 Pos		catalog no		CUSTOMER	sheet 1 of 4	

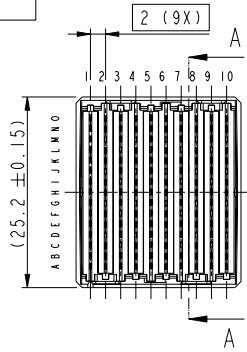
REV F - 2006-06-17

1

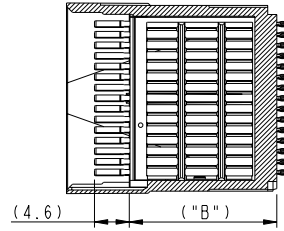
2

3

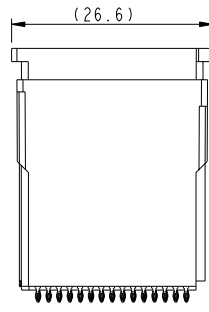
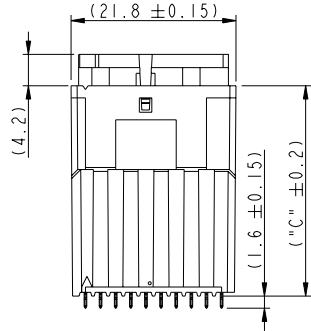
PART NUMBER:
SEE TABLE



View without protection cover

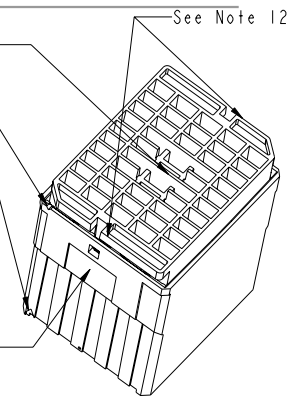


SECTION A-A



See note 11
Triangle indicates position A1. See note 10

P/N Marking Area



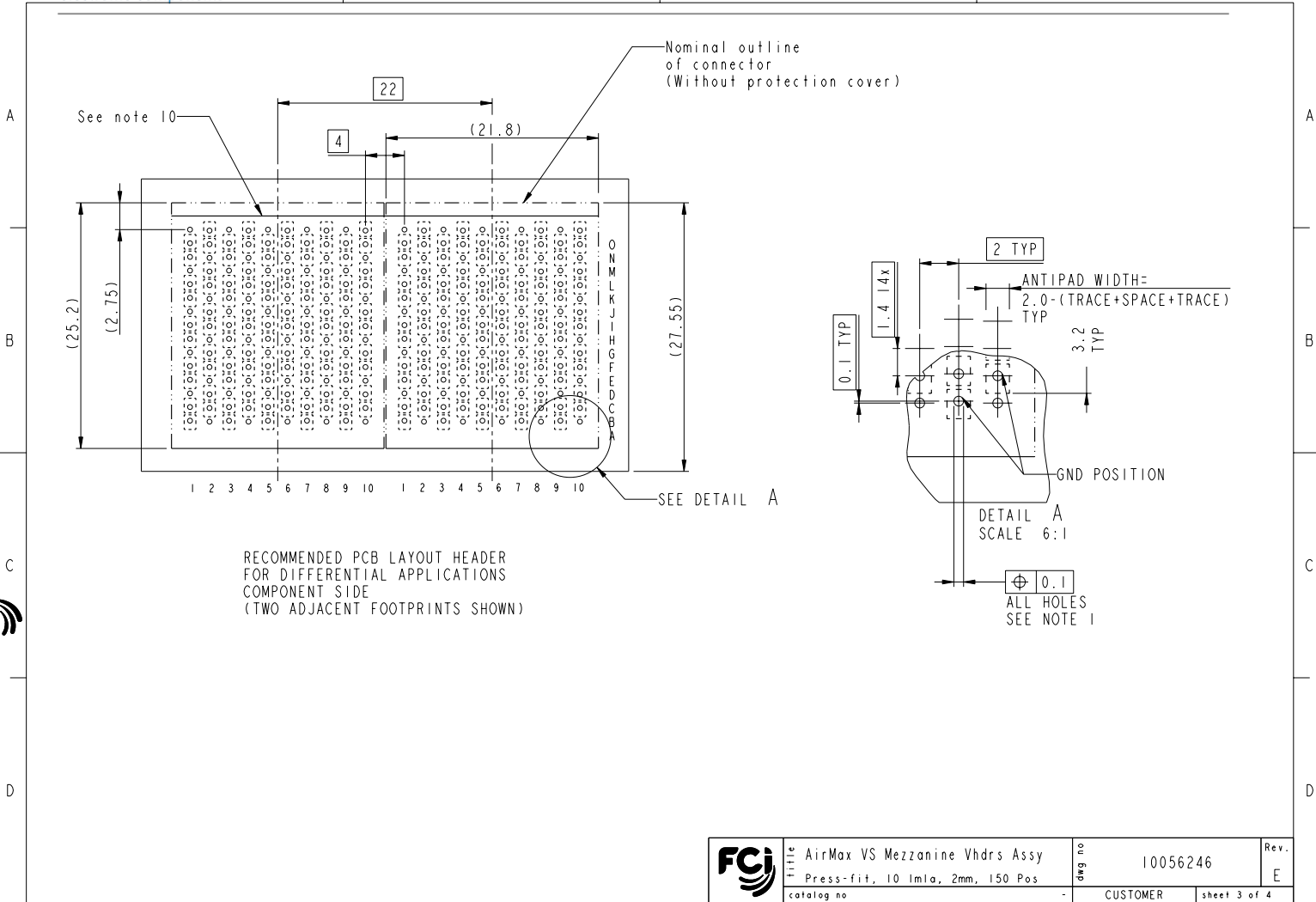
**Not all stack height have been tooled up. For product availability, please check FCI website.

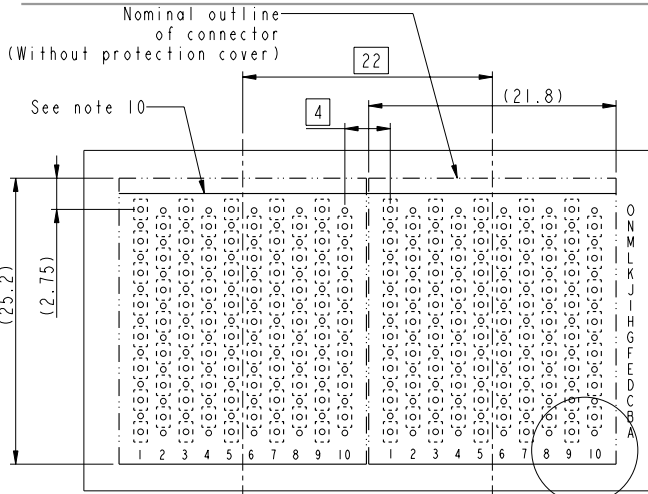
PRODUCT P/N**	SYSTEM STACK HEIGHT "A"	MATING LEVEL "B"	CONNECTOR HEIGHT "C"
10056246-101ILF	14	5.5	13.8
10056246-102ILF	16	7.5	15.8
10056246-103ILF	18	9.5	17.8
10056246-104ILF	20	11.5	19.8
10056246-105ILF	22	13.5	21.8
10056246-106ILF	24	14.5	23.8
10056246-107ILF	26	17.5	25.8
10056246-108ILF	28	19.5	27.8
10056246-109ILF	30	21.5	29.8
10056246-110ILF	25	16.5	24.8

P/N: 10056246-XYZA LF

- LF: Lead free product (see note 7)
- Protection cover, 1 = present (std); 0 = not present
- Stack height, see table
- Plating: 1=Telcordia CO 4 GAS

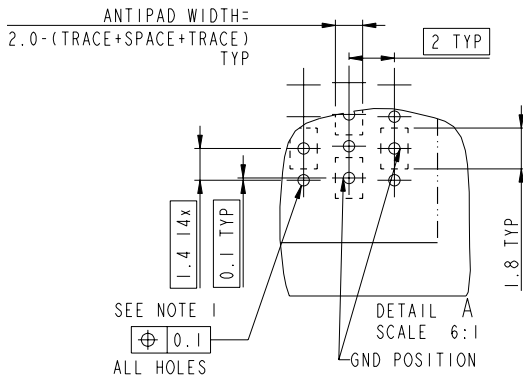
FCI	Title	AirMax VS Mezzanine Vhdrs Assy	Dwg. no.	10056246	Rev. E
	catalog no.	Press-fit, 10 lmla, 2mm, 150 Pos			





RECOMMENDED PCB LAYOUT HEADER FOR SINGLE ENDED APPLICATIONS COMPONENT SIDE (TWO ADJACENT FOOTPRINTS SHOWN)

SEE DETAIL A



NOTES:

- Connector materials:
 Housing: High temp thermoplastic, natural, UL94-V0
 Protection cover: High temp thermoplastic, black, UL94-V0
 Overmold plastic: High temp thermoplastic, black, UL94-V0
 Contact: Copper alloy
- Contact plating:
 Separate Interface: Performance-based plating, qualified to meet the requirements of FCI product specification GS-12-239, including telcordia GR-1217-CORE (November 1995) central office.
 Press-fit tails: Pure tin over nickel
- Product specification: GS-12-379
- Application specification: GS-20-069
 Flat rock insertion into PCB by pushing on top of surface protection cover.
- Product marking (Partnumber, lotcode).
- See customer drawing 10045979 for information on PCB hole.
- Lead free partnumbers meet the European Union Directives and other country regulations as described in GS 22-008.
- The housing should withstand exposure to 260° peak temperature for 40 seconds in a convection, reflow or vapour phase reflow oven.
- Packaging specification GS-14-1087 meets GS-14-920 lead free labeling specification.
- Cut-out of connector at opposite side of position A1 indicator. It is recommended to print this visible line on the PCB to indicate proper orientation. Other visible polarisation marks are A1 indicator and printing side.
- Gripping feature to remove protection cover by standard pliers.
- Gripping feature to remove protection cover by fingers.

FCI	Part	AirMax VS Mezzanine Vhdrs Assy	Drwg. no.	10056246	Rev.	E
	catalog no	Press-fit, 10 Imla, 2mm, 150 Pos	CUSTOMER	sheet 4 of 4		