

## Excellent Integrated System Limited

Stocking Distributor

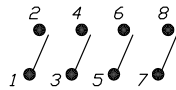
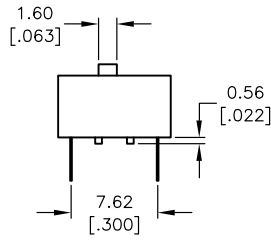
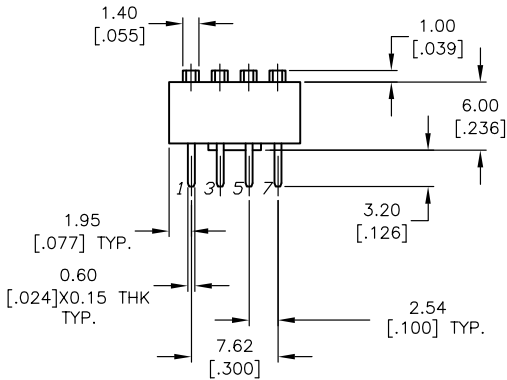
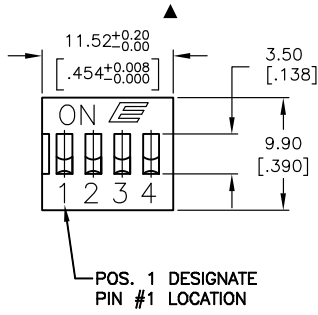
Click to view price, real time Inventory, Delivery & Lifecycle Information:

[E-Switch](#)  
[KAS1104ET](#)

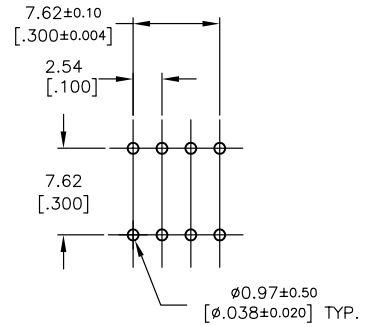
For any questions, you can email us directly:

[sales@integrated-circuit.com](mailto:sales@integrated-circuit.com)

SHEET 1 OF 1



*CONTACT CONFIGURATION*  
 \* (Pos. 1 Denotes Pin No. 1)



*RECOMMEND P.C.B. LAYOUT*

- NOTES:
1. ALL DIMENSIONS IN MM [INCH]
  2. GENERAL TOLERANCE: X.X=±0.4  
X.XX=±0.25
  3. TERM. NOS. FOR REFERENCE ONLY.
  - ▲ 4. TOP TAPE SEAL FOR FLUX WASH.
  - ▲ 5. SWITCHES SUPPLIED IN DISPENSING TUBES WITH ALL POLES IN THE "OFF" POSITION.
  6. ▲ DENOTES CRITICAL PARAMETER.

**E-SWITCH®**

A	13446	RELEASED FOR PRODUCTION	9/15/03	AR
REV.	ECN No.	DESCRIPTION	DATE	CHKD
<small>THE INFORMATION CONTAINED IN THIS DOCUMENT IS PROPRIETARY TO E-SWITCH AND IS NOT TO BE COPIED OR TRANSFERRED</small>				

<b>TITLE</b>				
KAS1104ET				
SCALE	DATE	DR	DWG	REV
2:1	9/15/03	AR	N211041	A