

Excellent Integrated System Limited

Stocking Distributor

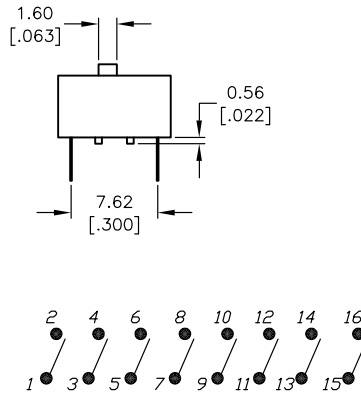
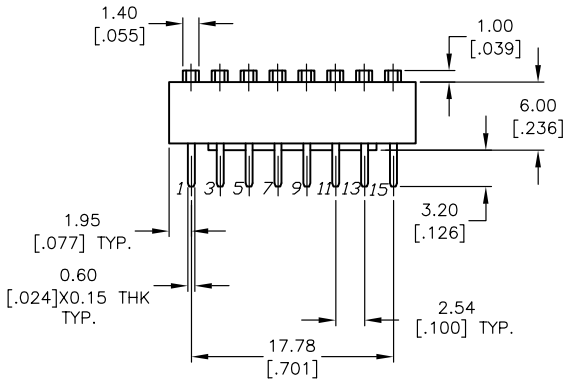
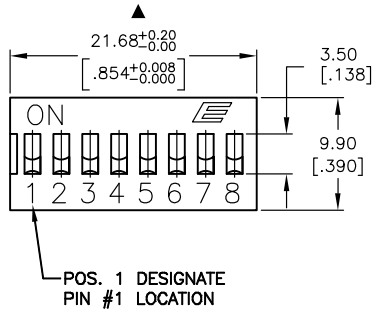
Click to view price, real time Inventory, Delivery & Lifecycle Information:

[E-Switch](#)
[KAS1108ET](#)

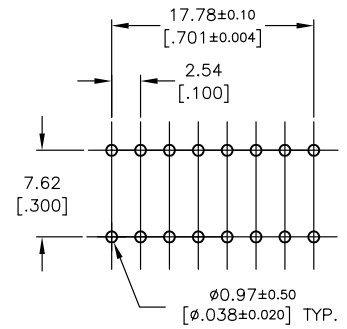
For any questions, you can email us directly:

sales@integrated-circuit.com

SHEET 1 OF 1



CONTACT CONFIGURATION
 *(Pos. 1 Denotes Pin No. 1)



RECOMMEND P.C.B. LAYOUT

- NOTES:
1. ALL DIMENSIONS IN MM [INCH]
 2. GENERAL TOLERANCE: X.X=±0.4
X.XX=±0.25
 3. TERM. NOS. FOR REFERENCE ONLY.
 - ▲ 4. TOP TAPE SEAL FOR FLUX WASH.
 - ▲ 5. SWITCHES SUPPLIED IN DISPENSING TUBES WITH ALL POLES IN THE "OFF" POSITION.
 6. ▲ DENOTES CRITICAL PARAMETER.

E-SWITCH®

A	13446	RELEASED FOR PRODUCTION	9/15/03	AR
REV.	ECN No.	DESCRIPTION	DATE	CHKD

TITLE					KAS1108ET				
SCALE	DATE	DR	DWG	REV					
2:1	9/15/03	AR	N211081	A					

THE INFORMATION CONTAINED IN THIS DOCUMENT IS PROPRIETARY TO E-SWITCH AND IS NOT TO BE COPIED OR TRANSFERRED