

## Excellent Integrated System Limited

Stocking Distributor

Click to view price, real time Inventory, Delivery & Lifecycle Information:

[Nearson Inc.](#)  
[S331AH-915](#)

For any questions, you can email us directly:  
[sales@integrated-circuit.com](mailto:sales@integrated-circuit.com)

P/N S331AM-915

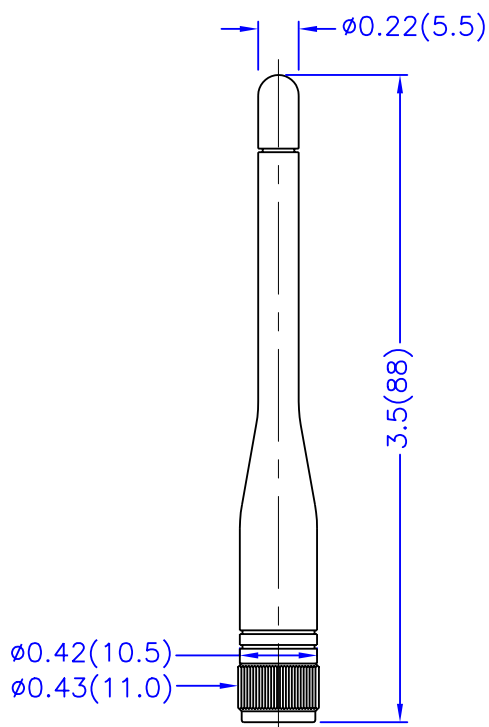
**Alternative Connectors**

.SMA Reverse Polarity Plug(female)

P/N: S331AH-915

.SMA Reverse Thread Plug(male)

P/N: S331AT-915



**Electrical Properties:**

Frequency Range: 902~928 MHz  
 Impedance: 50Ω nominal  
 VSWR: <2.0:1  
 Gain: 1 dBi  
 Radiation: Omni  
 Polarization: Vertical  
 Wave: 1/4 wave

**Mechanical Properties:**

Connector: SMA Plug  
 Material: Polyurethane-BASF(Black)  
 Whip: Brass with Chrome Plating(Black)  
 Operation Temp.: -20°C to +65°C  
 Storage Temp.: -30°C to +75°C

TOLERANCE		TITLE	900MHz ISM Band	DATE	SHEET
.X			Antenna-331 Model		1 OF 1
.XX		UNIT	DWG. NO.	S331AM-915	
.XXX		in.(mm)		A4	
ANGLE		SCALE	<b>NEARSON</b>		
		1 : 1			