



# FAN2106 — 3-24 V Input, 6 A, High-Efficiency, Integrated Synchronous Buck Regulator

## Features

- 6 A Output Current
- Wide Input Range: 3 V - 24 V
- Output Voltage Range: 0.8 V to 80%  $V_{IN}$
- Over 95% Peak Efficiency
- 1% Reference Accuracy Over Temperature
- Programmable Frequency Operation: 200 KHz to 600 KHz
- Fully Synchronous Operation with Integrated Schottky Diode on Low-Side MOSFET Boosts Efficiency
- Internal Bootstrap Diode
- Internal Soft-Start
- Power-Good Signal
- Starts on Pre-Biased Outputs
- Accepts Ceramic Capacitors on Output
- External Compensation for Flexible Design
- Programmable Current Limit
- Under-Voltage, Over-Voltage, and Thermal Protections
- 5x6 mm, 25-Pin, 3-Pad MLP Package

## Applications

- Servers & Telecom
- Graphics Cards & Displays
- Computing Systems
- Point-of-Load Regulation
- Set-Top Boxes & Game Consoles

## Description

The FAN2106 is a highly efficient, small-footprint, constant-frequency, 6 A, integrated synchronous buck regulator.

The FAN2106 contains both synchronous MOSFETs and a controller/driver with optimized interconnects in one package, which enables designers to solve high-current requirements in a small area with minimal external components. Integration helps to minimize critical inductances, making component layout simpler and more efficient compared to discrete solutions.

The FAN2106 provides for external loop compensation, programmable switching frequency, and current limit. These features allow design flexibility and optimization. High-frequency operation allows for all-ceramic solutions.

The summing current-mode modulator uses lossless current sensing for current feedback and over-current protection. Voltage feedforward helps operation over a wide input voltage range.

Fairchild's advanced BiCMOS power process, combined with low- $R_{DS(ON)}$  internal MOSFETs and a thermally efficient MLP package, provide the ability to dissipate high power in a small package.

Output over-voltage, under-voltage, over-current, and thermal shutdown protections help protect the device from damage during fault conditions. FAN2106 prevents pre-biased output discharge during startup in point-of-load applications.

## Related Resources

- [AN-8022 — TinyCalc™ Calculator User Guide](#)
- [TinyCalc™ Calculator Design Tool](#)

## Ordering Information

Part Number	Operating Temperature Range	Package	Packing Method
FAN2106MPX	-40°C to 85°C	Molded Leadless Package (MLP) 5 x 6 mm	Tape and Reel
FAN2106EMPX			

Typical Application Diagram

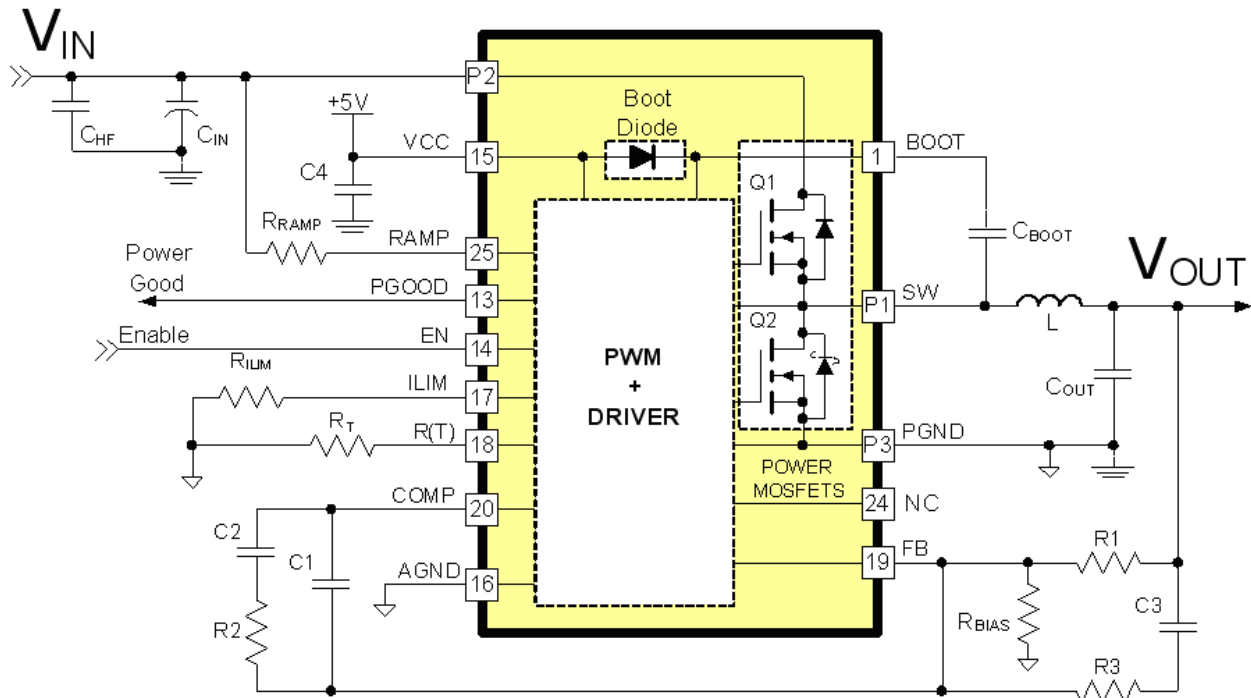


Figure 1. Typical Application

Block Diagram

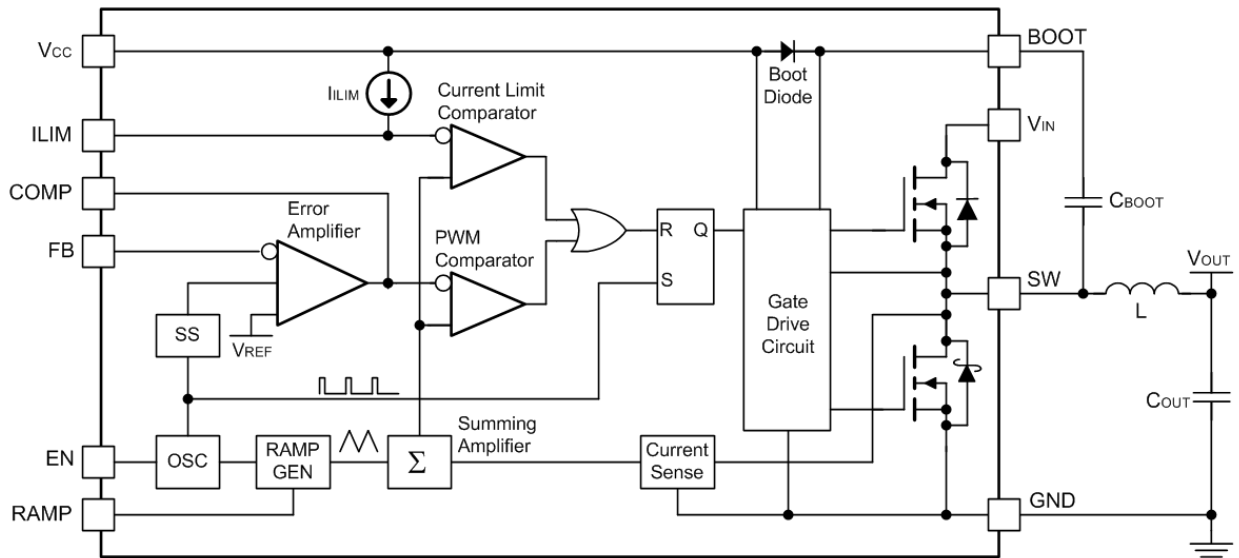


Figure 2. Block Diagram

## Pin Configuration

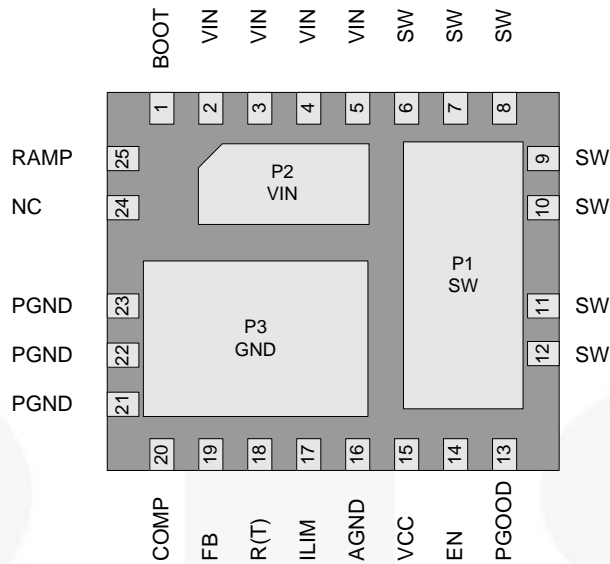


Figure 3. MLP 5 x 6 mm Pin Configuration (Bottom View)

## Pin Definitions

Pin #	Name	Description
P1, 6-12	SW	<b>Switching Node.</b> Junction of high-side and low-side MOSFETs.
P2, 2-5	VIN	<b>Power Input Voltage.</b> Connect to the main input power source.
P3, 21-23	PGND	<b>Power Ground.</b> Power return and Q2 source.
1	BOOT	<b>High-Side Drive BOOT Voltage.</b> Connect through capacitor ( $C_{BOOT}$ ) to SW. The IC includes an internal synchronous bootstrap diode to recharge the capacitor on this pin to $V_{CC}$ when SW is LOW.
13	PGOOD	<b>Power-Good Flag.</b> An open-drain output that pulls LOW when FB is outside the limits specified in electrical specs. PGOOD does not assert HIGH until the fault latch is enabled.
14	EN	<b>ENABLE.</b> Enables operation when pulled to logic HIGH or left open. Toggling EN resets the regulator after a latched fault condition. This input has an internal pull-up when the IC is functioning normally. When a latched fault occurs, EN is discharged by a current sink.
15	VCC	<b>Input Bias Supply for IC.</b> The IC's logic and analog circuitry are powered from this pin. This pin should be decoupled to AGND through a $>1 \mu F$ X5R/X7R capacitor.
16	AGND	<b>Analog Ground.</b> The signal ground for the IC. All internal control voltages are referred to this pin. Tie this pin to the ground island/plane through the lowest impedance connection.
17	ILIM	<b>Current Limit.</b> A resistor ( $R_{ILIM}$ ) from this pin to AGND can be used to program the current-limit trip threshold lower than the default setting.
18	R(T)	<b>Oscillator Frequency.</b> A resistor ( $R_T$ ) from this pin to AGND sets the PWM switching frequency.
19	FB	<b>Output Voltage Feedback.</b> Connect through a resistor divider to the output voltage.
20	COMP	<b>Compensation.</b> Error amplifier output. Connect the external compensation network between this pin and FB.
24	NC	<b>No Connect.</b> This pin is not used.
25	RAMP	<b>Ramp Amplitude.</b> A resistor ( $R_{RAMP}$ ) connected from this pin to VIN sets the ramp amplitude and provides voltage feedforward functionality.

## Absolute Maximum Ratings

Stresses exceeding the absolute maximum ratings may damage the device. The device may not function or be operable above the recommended operating conditions and stressing the parts to these levels is not recommended. In addition, extended exposure to stresses above the recommended operating conditions may affect device reliability. The absolute maximum ratings are stress ratings only.

Parameter	Conditions	Min.	Max.	Unit
V <sub>IN</sub> to PGND			28	V
V <sub>CC</sub> to AGND	AGND = PGND		6	V
BOOT to PGND			35	V
BOOT to SW		-0.3	6.0	V
SW to PGND	Continuous	-0.5	24.0	V
	Transient (t < 20 ns, f ≤ 600 KHz)	-5.0	30.0	
All other pins		-0.3	V <sub>CC</sub> +0.3	V
ESD	Human Body Model, JEDEC JESD22-A114	2.0		kV
	Charged Device Model, JEDEC JESD22-C101	2.5		

## Recommended Operating Conditions

The Recommended Operating Conditions table defines the conditions for actual device operation. Recommended operating conditions are specified to ensure optimal performance to the datasheet specifications. Fairchild does not recommend exceeding them or designing to absolute maximum ratings.

Symbol	Parameter	Conditions	Min.	Typ.	Max.	Unit
V <sub>CC</sub>	Bias Voltage	V <sub>CC</sub> to AGND	4.5	5.0	5.5	V
V <sub>IN</sub>	Supply Voltage	V <sub>IN</sub> to PGND	3		24	V
T <sub>A</sub>	Ambient Temperature		-40		+85	°C
T <sub>J</sub>	Junction Temperature				+125	°C
f <sub>SW</sub>	Switching Frequency		200		600	KHz

## Thermal Information

Symbol	Parameter	Min.	Typ.	Max.	Unit
T <sub>STG</sub>	Storage Temperature	-65		+150	°C
T <sub>L</sub>	Lead Soldering Temperature, 10 Seconds			+300	°C
θ <sub>JC</sub>	Thermal Resistance: Junction-to-Case	P1 (Q2)	4		°C/W
		P2 (Q1)	7		
		P3	4		
θ <sub>J-PCB</sub>	Thermal Resistance: Junction-to-Mounting Surface		35 <sup>(1)</sup>		°C/W
P <sub>D</sub>	Power Dissipation, T <sub>A</sub> = 25°C			2.8 <sup>(1)</sup>	W

### Note:

1. Typical thermal resistance when mounted on a four-layer, two-ounce PCB, as shown in Figure 26. Actual results are dependent on mounting method and surface related to the design.

## Electrical Specifications

Electrical specifications are the result of using the circuit shown in Figure 1 with  $V_{IN} = 12\text{ V}$ , unless otherwise noted.

Parameter	Conditions	Min.	Typ.	Max.	Unit
<b>Power Supplies</b>					
$V_{CC}$ Current	SW = Open, FB = 0.7 V, $V_{CC} = 5\text{ V}$ , $f_{SW} = 600\text{ KHz}$		8	12	mA
	Shutdown: EN = 0, $V_{CC} = 5\text{ V}$		7	10	$\mu\text{A}$
$V_{CC}$ UVLO Threshold	Rising $V_{CC}$	4.1	4.3	4.5	V
	Hysteresis		300		mV
<b>Oscillator</b>					
Frequency	$R_T = 50\text{ K}\Omega$	255	300	345	KHz
	$R_T = 24\text{ K}\Omega$	540	600	660	KHz
Minimum On-Time <sup>(2)</sup>			50	65	ns
Ramp Amplitude, Peak-to-Peak	$16 V_{IN}$ , $1.8 V_{OUT}$ , $R_T = 30\text{ K}\Omega$ , $R_{RAMP} = 200\text{ K}\Omega$		0.53		V
Minimum Off-Time <sup>(2)</sup>			100	150	ns
<b>Reference</b>					
Reference Voltage ( $V_{FB}$ ) <sup>(3)</sup>		795	800	805	mV
<b>Error Amplifier</b>					
DC Gain <sup>(2)</sup>	$V_{CC} = 5\text{ V}$	80	85		dB
Gain Bandwidth Product <sup>(2)</sup>		12	15		MHz
Output Voltage ( $V_{COMP}$ )		0.4		3.2	V
Output Current, Sourcing	$V_{CC} = 5\text{ V}$ , $V_{COMP} = 2.2\text{ V}$	1.5	2.2		mA
Output Current, Sinking	$V_{CC} = 5\text{ V}$ , $V_{COMP} = 1.2\text{ V}$	0.8	1.2		mA
FB Bias Current	$V_{FB} = 0.8\text{ V}$ , $T_A = 25^\circ\text{C}$	-850	-650	-450	nA
<b>Protection and Shutdown</b>					
Current Limit	$R_{LIM}$ Open, $f_{SW} = 500\text{ KHz}$ , $V_{OUT} = 1.8\text{ V}$ , $R_{RAMP} = 200\text{ K}\Omega$ , 16 Consecutive Cycles	6	8	10	A
$I_{LIM}$ Current	$V_{CC} = 5\text{ V}$ , $T_A = 25^\circ\text{C}$	-11	-10	-9	$\mu\text{A}$
Over-Temperature Shutdown	Internal IC Temperature		+155		$^\circ\text{C}$
Over-Temperature Hysteresis			+30		$^\circ\text{C}$
Over-Voltage Threshold	2 Consecutive Clock Cycles	110	115	120	$\%V_{OUT}$
Under-Voltage Shutdown	16 Consecutive Clock Cycles	68	73	78	$\%V_{OUT}$
Fault Discharge Threshold	Measured at FB Pin		250		mV
Fault Discharge Hysteresis	Measured at FB Pin ( $V_{FB} \sim 500\text{ mV}$ )		250		mV
<b>Soft-Start</b>					
$V_{OUT}$ to Regulation (T0.8)	Frequency = 600 KHz		5.3		ms
Fault Enable/SSOK (T1.0)			6.7		ms

Continued on the following page...

**Electrical Specifications** (Continued)

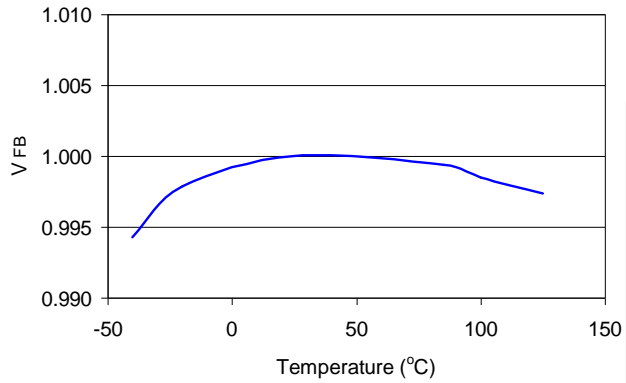
Electrical specifications are the result of using the circuit shown in Figure 1 with  $V_{IN} = 12\text{ V}$ , unless otherwise noted.

Parameter	Conditions	Min.	Typ.	Max.	Unit
<b>Control Functions</b>					
EN Threshold, Rising	$V_{CC} = 5\text{ V}$		1.35	2.00	V
EN Hysteresis	$V_{CC} = 5\text{ V}$		250		mV
EN Pull-Up Resistance	$V_{CC} = 5\text{ V}$		800		$\text{K}\Omega$
EN Discharge Current	Auto-Restart Mode, $V_{CC} = 5\text{ V}$		1		$\mu\text{A}$
FB OK Drive Resistance				800	$\Omega$
PGOOD Threshold (Compared to $V_{REF}$ )	$\text{FB} < V_{REF}$ , 2 Consecutive Clock Cycles	-14	-11	-8	$\%V_{REF}$
	$\text{FB} > V_{REF}$ , 2 Consecutive Clock Cycles	+7	+10	+13	$\%V_{REF}$
PGOOD Output Low	$I_{OUT} \leq 2\text{ mA}$			0.4	V

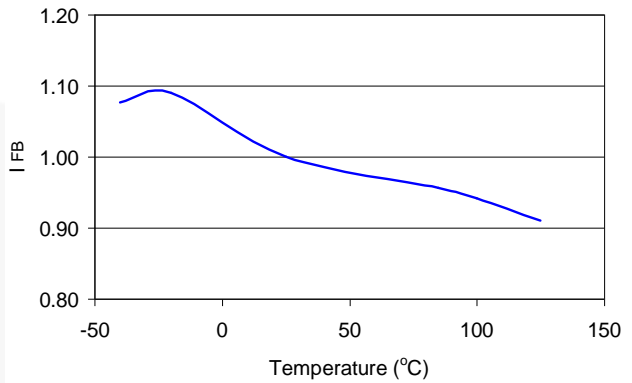
**Notes:**

- Specifications guaranteed by design and characterization; not production tested.
- See Figure 4 for Temperature Coefficient

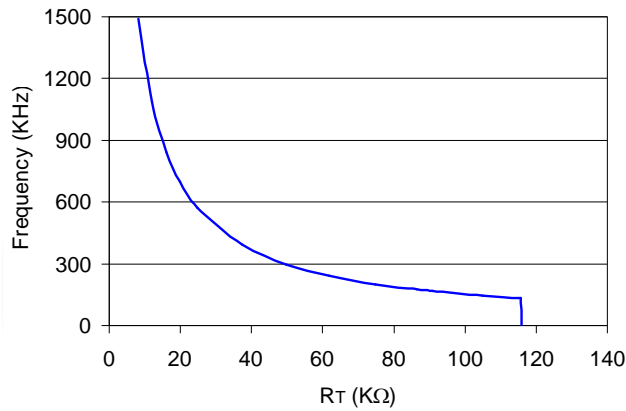
## Typical Characteristics



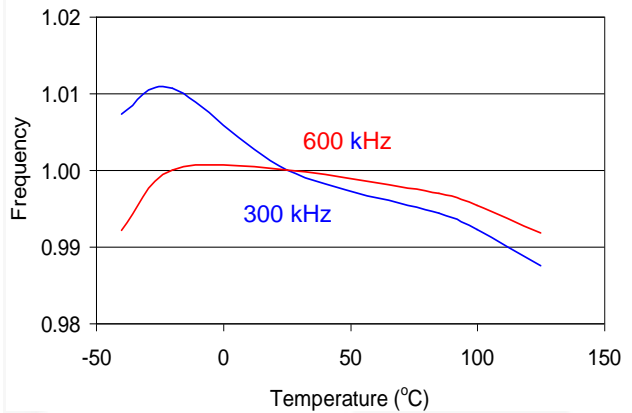
**Figure 4. Reference Voltage ( $V_{FB}$ ) vs. Temperature, Normalized**



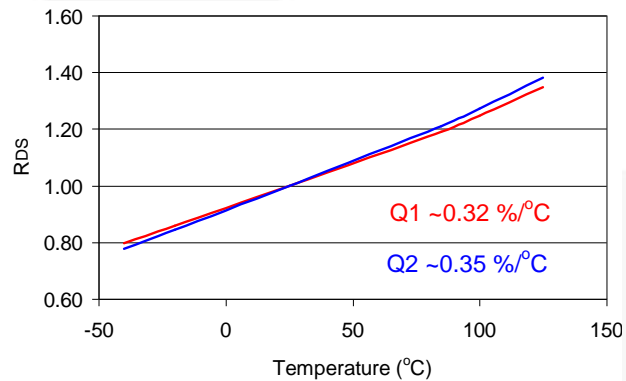
**Figure 5. Reference Bias Current ( $I_{FB}$ ) vs. Temperature, Normalized**



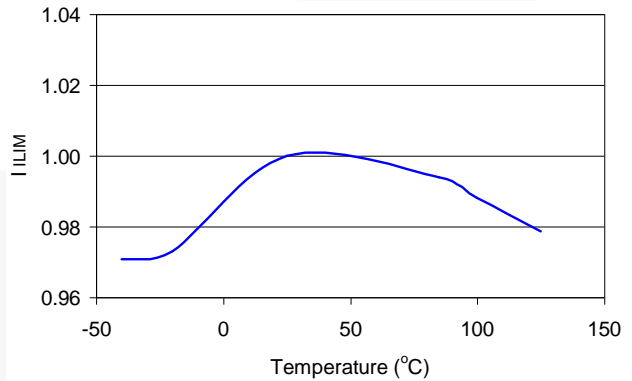
**Figure 6. Frequency vs.  $R_T$**



**Figure 7. Frequency vs. Temperature, Normalized**



**Figure 8.  $R_{DS}$  vs. Temperature, Normalized ( $V_{CC} = V_{GS} = 5\text{ V}$ )**



**Figure 9.  $I_{LIM}$  Current ( $I_{LIM}$ ) vs. Temperature, Normalized**

### Application Circuit

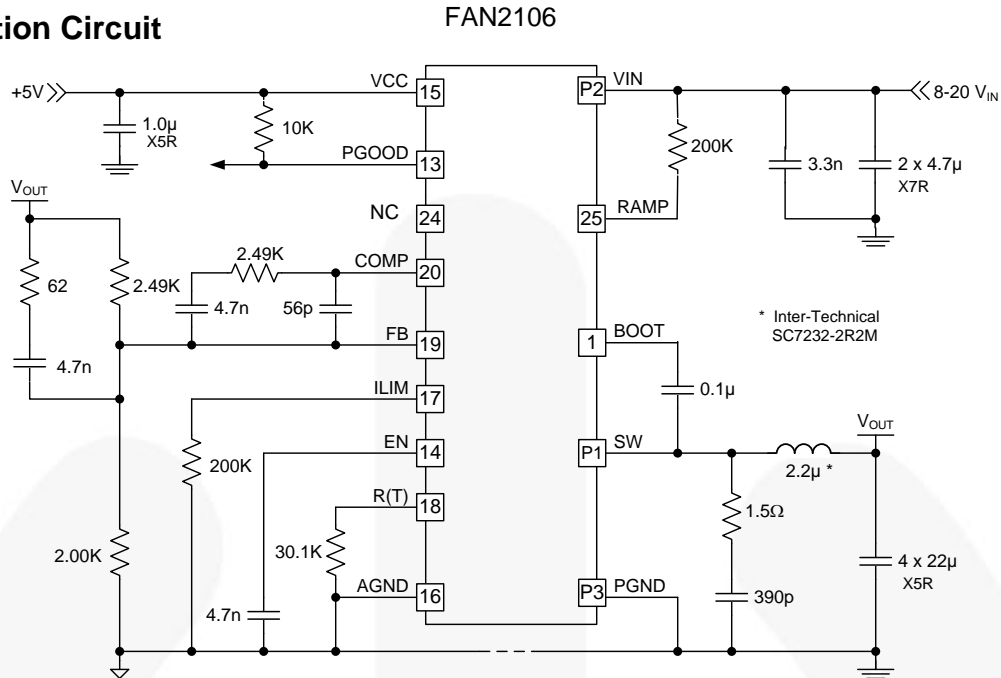


Figure 10. Application Circuit: 1.8 V<sub>OUT</sub>, 500 KHz

### Typical Performance Characteristics

Typical operating characteristics using the circuit shown in Figure 10. V<sub>IN</sub>=12 V, V<sub>CC</sub>=5 V, unless otherwise specified.

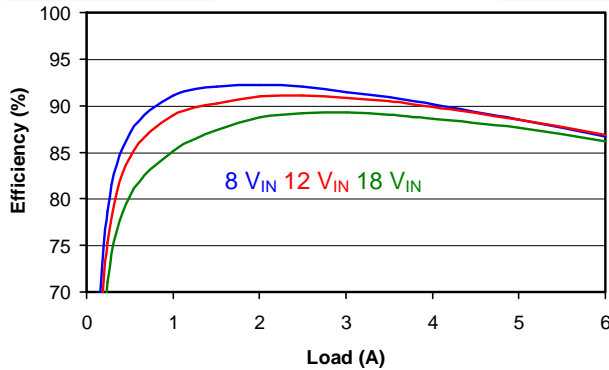


Figure 11. 1.8 V<sub>OUT</sub> Efficiency Over V<sub>IN</sub> vs. Load

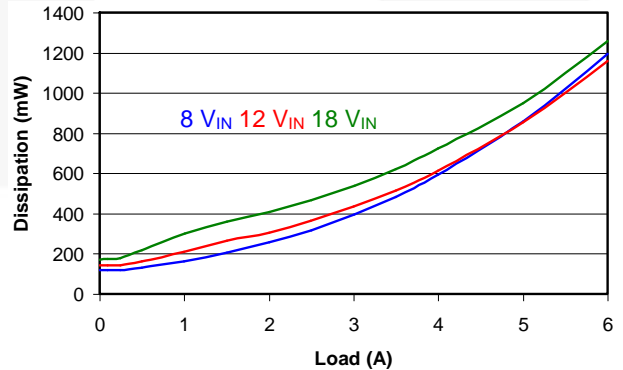


Figure 12. 1.8 V<sub>OUT</sub> Dissipation Over V<sub>IN</sub> vs. Load

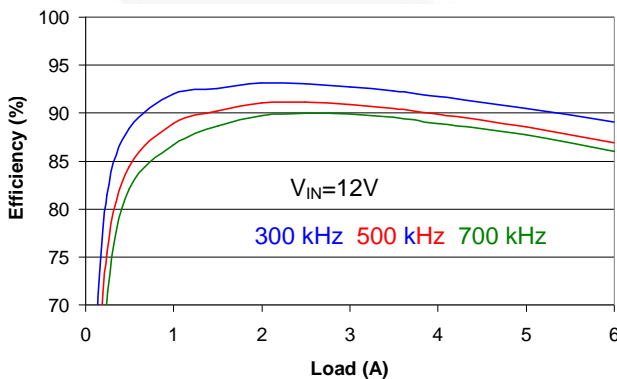


Figure 13. 1.8 V<sub>OUT</sub> Efficiency Over Frequency vs. Load (Circuit Value Changes)

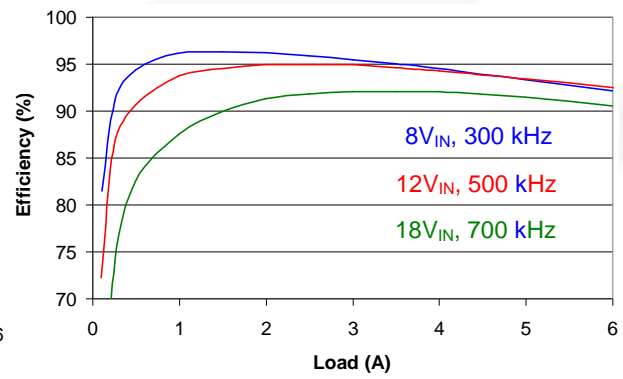
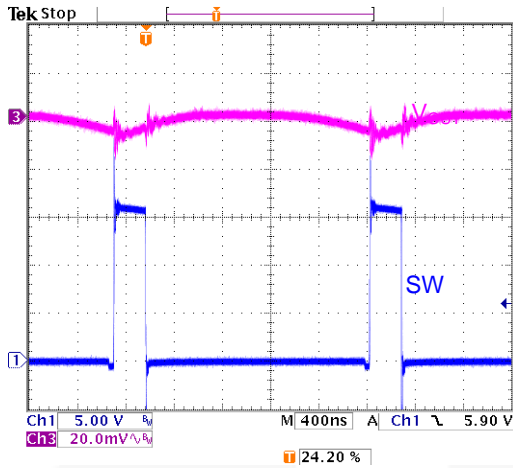


Figure 14. 3.3 V<sub>OUT</sub> Efficiency vs. Load (Circuit Value Changes)

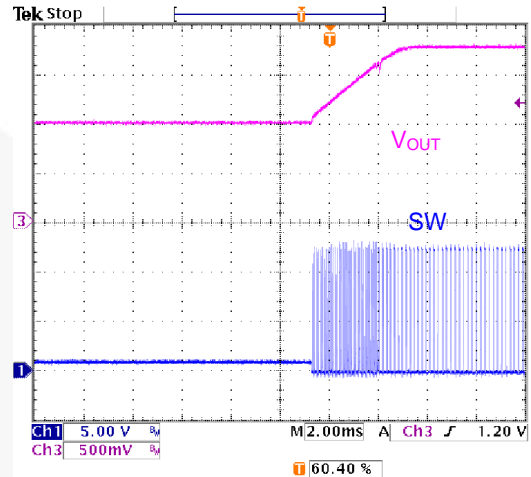


## Typical Performance Characteristics (Continued)

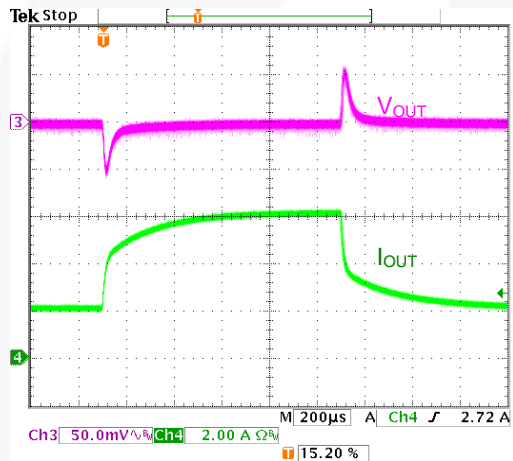
Typical operating characteristics using the circuit shown in Figure 10.  $V_{IN}=12\text{ V}$ ,  $V_{CC}=5\text{ V}$ , unless otherwise specified.



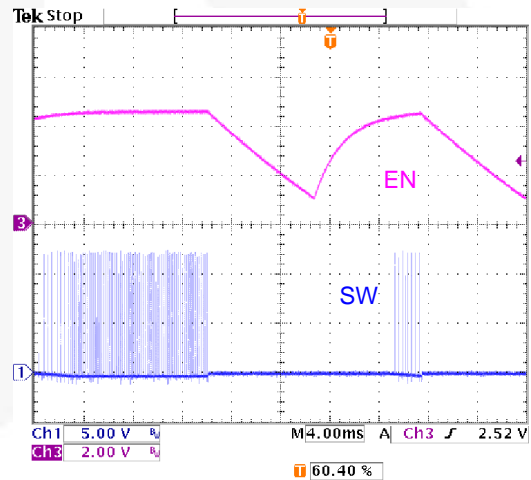
**Figure 15. SW and V<sub>OUT</sub> Ripple, 6 A Load**



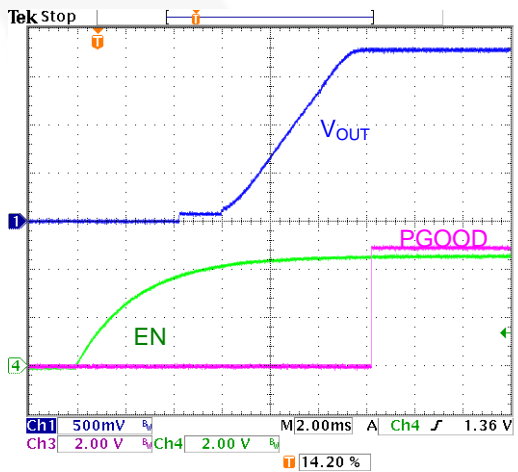
**Figure 16. Startup with 1 V Pre-Bias on V<sub>OUT</sub>**



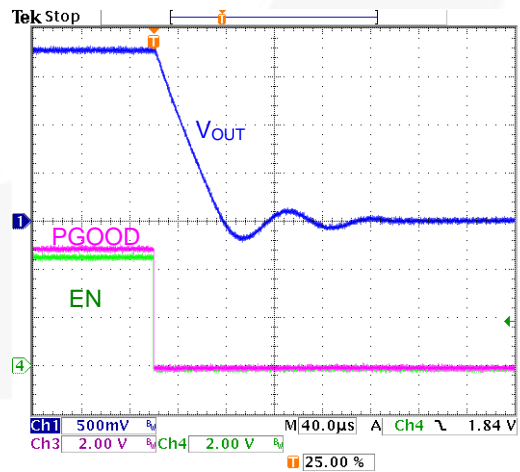
**Figure 17. Transient Response, 2-6 A Load**



**Figure 18. Re-Start on Fault**



**Figure 19. Startup, 3 A Load**



**Figure 20. Shutdown, 3 A Load**

## Circuit Description

### PWM Generation

Refer to Figure 2 for the PWM control mechanism. FAN2106 uses the summing-mode method of control to generate the PWM pulses. An amplified current-sense signal is summed with an internally generated ramp and the combined signal is compared with the output of the error amplifier to generate the pulsewidth to drive the high-side MOSFET. Sensed current from the previous cycle is used to modulate the output of the summing block. The output of the summing block is also compared against a voltage threshold set by the  $R_{LIM}$  resistor to limit the inductor current on a cycle-by-cycle basis. The  $R_{RAMP}$  resistor helps set the charging current for the internal ramp and provides input voltage feed-forward function. The controller facilitates external compensation for enhanced flexibility.

### Initialization

Once  $V_{CC}$  exceeds the UVLO threshold and EN is HIGH, the IC checks for a shorted FB pin before releasing the internal soft-start ramp (SS).

If the parallel combination of R1 and  $R_{BIAS}$  is  $\leq 1\text{ K}\Omega$ , the internal SS ramp is not released and the regulator does not start.

### Enable

FAN2106 has an internal pull-up to the ENABLE (EN) pin so that the IC is enabled once  $V_{CC}$  exceeds the UVLO threshold. Connecting a small capacitor across EN and AGND delays the rate of voltage rise on the EN pin. The EN pin also serves for the restart whenever a fault occurs (refer to the *Auto-Restart* section). If the regulator is enabled externally, the external EN signal should go HIGH only after  $V_{CC}$  is established. For applications where such sequencing is required, FAN2106 can be enabled (after the  $V_{CC}$  comes up) with external control, as shown in Figure 21.

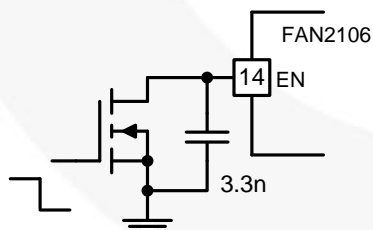


Figure 21. Enabling with External Control

### Soft-Start

Once internal SS ramp has charged to 0.8 V ( $T_{0.8}$ ), the output voltage is in regulation. Until SS ramp reaches 1.0 V ( $T_{1.0}$ ), the fault latch is inhibited.

To avoid skipping the soft-start cycle, it is necessary to apply  $V_{IN}$  before  $V_{CC}$  reaches its UVLO threshold. Normal sequence for powering up would be  $V_{IN} \rightarrow V_{CC} \rightarrow EN$ .

Soft-start time is a function of switching frequency.

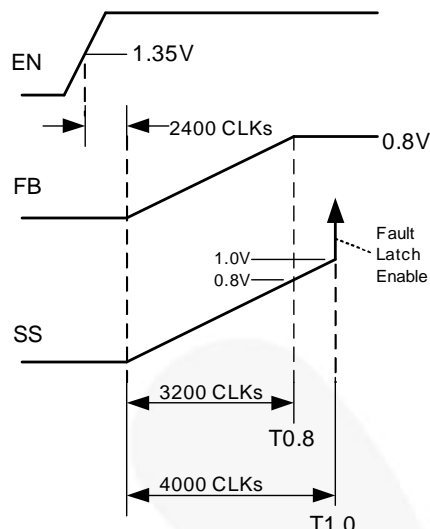


Figure 22. Soft-Start Timing Diagram

Cycling  $V_{CC}$  or the EN pin discharges the internal SS and resets the IC. In applications where external EN signal is used,  $V_{IN}$  and  $V_{CC}$  should be established before the EN signal comes up to prevent skipping the soft-start function.

### Startup on Pre-Bias

The regulator does not allow the low-side MOSFET to operate in full synchronous rectification mode until internal SS ramp reaches 95% of  $V_{REF}$  (~0.76 V). This helps the regulator start on a pre-biased output and ensures that the pre-biased outputs are not discharged during soft-start.

### Protections

The converter output is monitored and protected against extreme overload, short-circuit, over-voltage, under-voltage, and over-temperature conditions.

### Under-Voltage Shutdown

If the voltage on the FB pin remains below the under-voltage threshold for 16 consecutive clock cycles, the fault latch is set and the converter shuts down. This protection is not active until the internal SS ramp reaches 1.0 V during soft-start.

### Over-Voltage Protection

If voltage on the FB pin exceeds 115% of  $V_{REF}$  for two consecutive clock cycles, the fault latch is set and shutdown occurs.

A shorted high-side MOSFET condition is detected when SW voltage exceeds ~0.7 V while the low-side

MOSFET is fully enhanced. The fault latch is set immediately upon detection.

The OV and high-side short fault protections are active all the time, including during soft-start.

### Over-Temperature Protection (OTP)

The chip incorporates an over-temperature protection circuit that sets the fault latch when a die temperature of about 150°C is reached. The IC restarts when the die temperature falls below 125°C.

### Auto-Restart

After a fault, EN pin is discharged by a 1 μA current sink to a 1.1 V threshold before the internal 800 KΩ pull-up is restored. A new soft-start cycle begins when EN charges above 1.35 V.

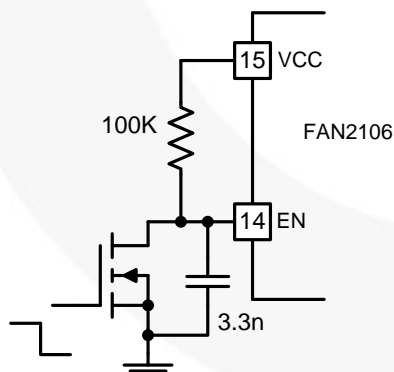
Depending on the external circuit, the FAN2106 can be configured to remain latched-off or to automatically restart after a fault.

**Table 1. Fault / Restart Configurations**

EN Pin	Controller / Restart State
Pull to GND	OFF (Disabled)
Pull-up to V <sub>CC</sub> with 100 K	No Restart – Latched OFF (After V <sub>CC</sub> Comes Up)
Open	Immediate Restart After Fault
Cap. to GND	New Soft-Start Cycle After: t <sub>DELAY</sub> (ms)=3.9 • C(nf)

When EN is left open, restart is immediate.

If auto-restart is not desired, tie the EN pin to the V<sub>CC</sub> pin or pull it HIGH after V<sub>CC</sub> comes up with a logic gate to keep the 1 μA current sink from discharging EN to 1.1 V. Figure 23 shows one method to pull up EN to V<sub>CC</sub> for a latch configuration.



**Figure 23. Enable Control with Latch Option**

### Power-Good (PGOOD) Signal

PGOOD is an open-drain output that asserts LOW when V<sub>OUT</sub> is out of regulation, as measured at the FB pin. Thresholds are specified in the Electrical Specifications section. PGOOD does not assert HIGH until the fault latch is enabled (T1.0) (see Figure 22).

## Application Information

### Bias Supply

The FAN2106 requires a 5 V supply rail to bias the IC and provide gate-drive energy. Connect a ≥ 1.0 μF X5R or X7R decoupling capacitor between V<sub>CC</sub> and PGND.

Since V<sub>CC</sub> is used to drive the internal MOSFET gates, supply current is frequency and voltage dependent. Approximate V<sub>CC</sub> current (I<sub>CC</sub>) can be calculated using:

$$I_{CC(mA)} = 4.58 + \left[ \left( \frac{V_{CC} - 5}{227} + 0.013 \right) \cdot (f - 128) \right] \quad (1)$$

where frequency (f) is expressed in KHz.

### Setting the Output Voltage

The output voltage of the regulator can be set from 0.8 V to 80% of V<sub>IN</sub> by an external resistor divider (R1 and R<sub>BIAS</sub> in Figure 1). For output voltages > 5 V, output current rating may need to be de-rated depending upon the ambient temperature, power dissipated in the package and the PCB layout.

The external resistor divider is calculated using:

$$\frac{0.8V}{R_{BIAS}} = \frac{V_{OUT} - 0.8V}{R1} + 650nA \quad (2)$$

Connect R<sub>BIAS</sub> between FB and AGND.

If R1 is open (see Figure 1), the output voltage is not regulated eventually causing a latched fault after the soft start is complete (T1.0)

If the parallel combination of R1 and R<sub>BIAS</sub> is ≤ 1KΩ, the internal SS ramp is not released and the regulator does not start.

### Setting the Switching Frequency

Switching frequency is determined by an external resistor, R<sub>T</sub>, connected between the R(T) pin and AGND:

$$R_{T(K\Omega)} = \frac{(10^6 / f) - 135}{65} \quad (3)$$

where R<sub>T</sub> is in KΩ and frequency (f) is in KHz.

The regulator cannot start if R<sub>T</sub> is left open.

### Calculating the Inductor Value

Typically the inductor value is chosen based on ripple current (ΔI<sub>L</sub>), which is chosen between 10 to 35% of the maximum DC load. Regulator designs that require fast transient response use a higher ripple-current setting, while regulator designs that require higher efficiency keep ripple current on the low side and operate at a lower switching frequency. The inductor value is calculated by the following formula:

$$\Delta I_L = \frac{V_{OUT} \cdot (1 - D)}{L \cdot f} \quad (4)$$

where f is the switching frequency.

### Setting the Ramp Resistor Value

$R_{RAMP}$  resistor plays a critical role in the design by providing charging current to the internal ramp capacitor and also serving as a means to provide input voltage feedforward.

$R_{RAMP}$  is calculated by the following formula:

$$R_{RAMP(K\Omega)} = \frac{(V_{IN} - 1.8) \cdot V_{OUT}}{(18) \cdot V_{IN} \cdot f \cdot 10^{-6}} - 2 \quad (5)$$

where frequency (f) is expressed in KHz.

For wide input operation, first calculate  $R_{RAMP}$  for the minimum and maximum input voltage conditions and use larger of the two values calculated.

In all applications, current through the  $R_{RAMP}$  pin must be greater than  $10 \mu A$  from the equation below for proper operation:

$$\frac{V_{IN} - 1.8}{R_{RAMP} + 2} \geq 10 \mu A \quad (6)$$

If the calculated  $R_{RAMP}$  values in Equation (5) result in a current less than  $10 \mu A$ , use the  $R_{RAMP}$  value that satisfies Equation (6). In applications with large input ripple voltage, the  $R_{RAMP}$  resistor should be adequately decoupled from the input voltage to minimize ripple on the RAMP pin.

### Setting the Current Limit

The current limit system involves two comparators. The MAX  $I_{LIMIT}$  comparator is used with a  $V_{ILIM}$  fixed-voltage reference and represents the maximum current limit allowable. This reference voltage is temperature compensated to reflect the  $R_{DSON}$  variation of the low-side MOSFET. The ADJUST  $I_{LIMIT}$  comparator is used where the current limit needs to be set lower than the  $V_{ILIM}$  fixed reference. The  $10 \mu A$  current source does not track the  $R_{DSON}$  changes over temperature, so change is added into the equations for calculating the ADJUST  $I_{LIMIT}$  comparator reference voltage, as is shown below. Figure 24 shows a simplified schematic of the over-current system.

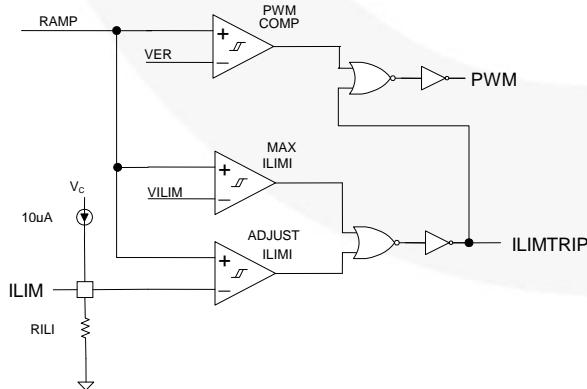


Figure 24. Current-Limit System Schematic

Since the  $I_{LIM}$  voltage is set by a  $10 \mu A$  current source into the  $R_{ILIM}$  resistor, the basic equation for setting the reference voltage is:

$$V_{RILIM} = 10 \mu A \cdot R_{ILIM} \quad (7)$$

To calculate  $R_{ILIM}$ :

$$R_{ILIM} = V_{RILIM} / 10 \mu A \quad (8)$$

The voltage  $V_{RILIM}$  is made up of two components,  $V_{BOT}$  (which relates to the current through the low-side MOSFET) and  $V_{RMPEAK}$  (which relates to the peak current through the inductor). Combining those two voltage terms results in:

$$R_{ILIM} = (V_{BOT} + V_{RMPEAK}) / 10 \mu A \quad (9)$$

$$R_{ILIM} = \{0.96 + (I_{LOAD} \cdot R_{DSON} \cdot K_T \cdot 8)\} + \{D \cdot (V_{IN} - 1.8) / (f_{SW} \cdot 0.03 \cdot 10^{-3} \cdot R_{RAMP})\} / 10 \mu A \quad (10)$$

where:

$$V_{BOT} = 0.96 + (I_{LOAD} \cdot R_{DSON} \cdot K_T \cdot 8);$$

$$V_{RMPEAK} = D \cdot (V_{IN} - 1.8) / (f_{SW} \cdot 0.03 \cdot 10^{-3} \cdot R_{RAMP});$$

$I_{LOAD}$  = the desired maximum load current;

$R_{DSON}$  = the nominal  $R_{DSON}$  of the low-side MOSFET;

$K_T$  = the normalized temperature coefficient for the low-side MOSFET (on datasheet graph);

$D$  =  $V_{OUT} / V_{IN}$  duty cycle;

$f_{SW}$  = Clock frequency in kHz; and

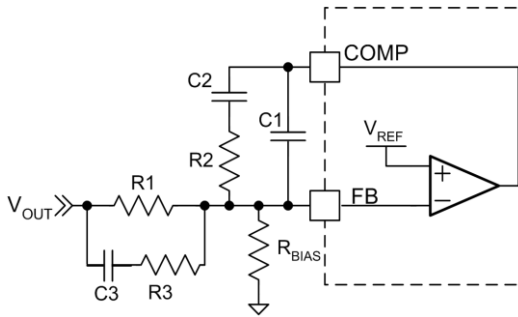
$R_{RAMP}$  = chosen ramp resistor value in  $k\Omega$ .

After 16 consecutive, pulse-by-pulse, current-limit cycles, the fault latch is set and the regulator shuts down. Cycling  $V_{CC}$  or EN restores operation after a normal soft-start cycle (refer to the Auto-Restart section).

The over-current protection fault latch is active during the soft-start cycle. Use 1% resistor for  $R_{ILIM}$ .

### Loop Compensation

The loop is compensated using a feedback network around the error amplifier. Figure 25 shows a complete Type-3 compensation network. For Type-2 compensation, eliminate R3 and C3.



**Figure 25. Compensation Network**

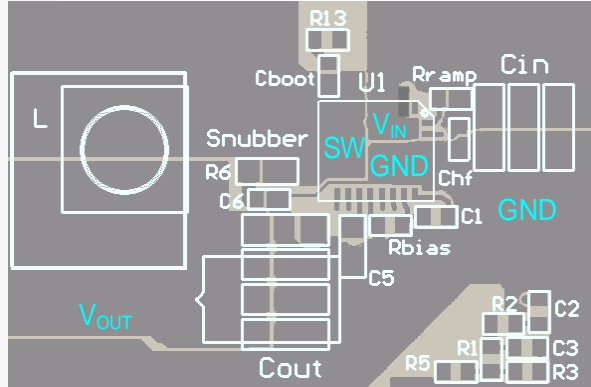
Since the FAN2106 employs a summing current-mode architecture, Type-2 compensation can be used for many applications. For applications that require wide loop bandwidth and/or use very low-ESR output capacitors, Type-3 compensation may be required.

$R_{RAMP}$  also provides feedforward compensation for changes in  $V_{IN}$ . With a fixed  $R_{RAMP}$  value, the modulator gain increases as  $V_{IN}$  is reduced; this could make it difficult to compensate the loop. For low-input-voltage-range designs (3 V to 8 V),  $R_{RAMP}$  and the compensation component values are different compared to designs with  $V_{IN}$  between 8 V and 24 V.

Application note [AN-8022 \(TinyCalc™\)](#) can be used to calculate the compensation components.

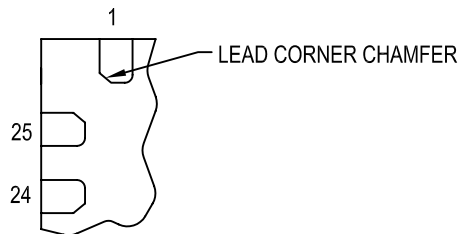
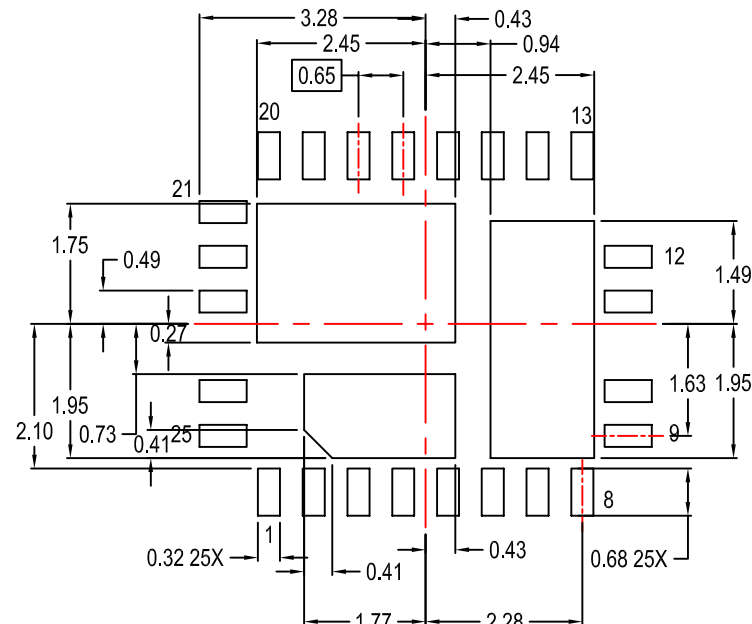
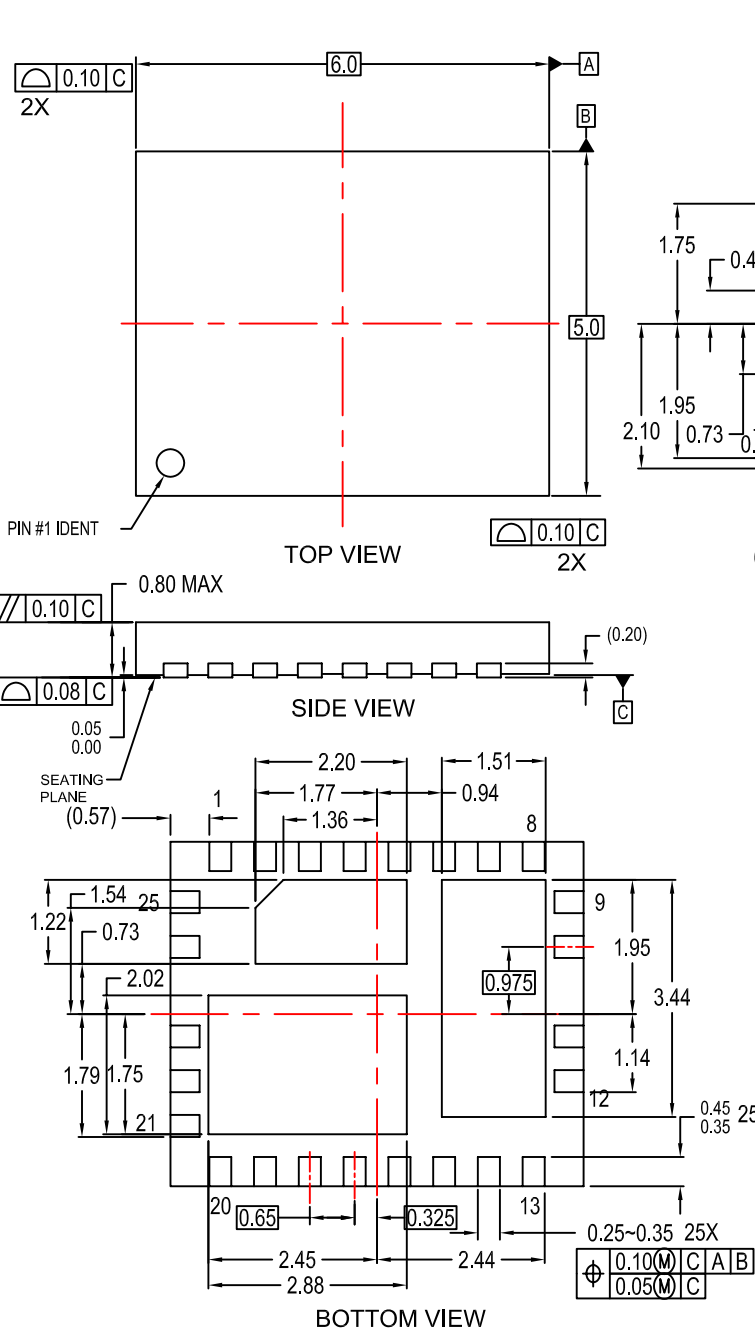
### Recommended PCB Layout

Good PCB layout and careful attention to temperature rise is essential for reliable operation of the regulator. Four-layer PCB with two-ounce copper on the top and bottom sides and thermal vias connecting the layers are recommended. Keep power traces wide and short to minimize losses and ringing. Do not connect AGND to PGND below the IC. Connect the AGND pin to PGND at the output OR to the PGND plane.



**Figure 26. Recommended PCB Layout**

REVISIONS			
LTR	DESCRIPTION	DATE	BY/SITE
1	RELEASE TO DOCUMENT CONTROL	12-Jul-2007	J.Chan/FSPM
2	ADDED DIMENSIONS TO BOTTOM VIEW AND LANDPATTERN RECOMMENDATION	7-SEPT-2007	H.ALLEN/FSME
3	CHAMFERED LANDPATTERN PAD 1	17-JUN-2009	H.ALLEN/FSME








- NOTES: UNLESS OTHERWISE SPECIFIED**
- A) DIMENSIONS ARE IN MILLIMETERS.
  - B) DIMENSIONS AND TOLERANCES PER ASME Y14.5M, 1994
  - C) DIMENSIONS DO NOT INCLUDE MOLD FLASH OR BURRS.
  - D) DESIGN BASED ON JEDEC MO-220 VARIATION WJHC
  - E) TERMINALS ARE SYMMETRICAL AROUND THE X & Y AXIS EXCEPT WHERE DEPOPULATED.
  - F) DRAWING FILENAME: MKT-MLP25AREV3

APPROVALS		DATE	Bayan Lepas, FIZ, 11900, Penang, Malaysia.		
DRAWN	H.ALLEN	7-SEPT-07			
DFTG. CHK.	S.MARTIN	7-SEPT-07			
ENGR. CHK.					
25LD, MLP, QUAD, NON-JEDEC, 6x5MM TRIPLE DAP					
		SCALE	SIZE	DRAWING NUMBER	REV
		N/A	N/A	MKT-MLP25A	3
DO NOT SCALE DRAWING				SHEET 1 of 1	



### TRADEMARKS

The following includes registered and unregistered trademarks and service marks, owned by Fairchild Semiconductor and/or its global subsidiaries, and is not intended to be an exhaustive list of all such trademarks.

- |   |  |   |   |
|---|--|---|---|
| AccuPower™  | F-PFS™   | OPTOPLANAR®   |  |
| AttitudeEngine™   | FRFET®   |  | TinyBoost®  |
| Awinda®   | Global Power Resource <sup>SM</sup>            | Power Supply WebDesigner™   | TinyBuck®   |
| AX-CAP®*  | GreenBridge™                                   | PowerTrench®  | TinyCalc™   |
| BitSiC™   | Green FPS™                                     | PowerXS™  | TinyLogic®  |
| Build it Now™   | Green FPS™ e-Series™                           | Programmable Active Droop™  | TINYOPTO™   |
| CorePLUS™   | Gmax™  | QFET®   | TinyPower™  |
| CorePOWER™  | GTO™   | QS™   | TinyPWM™  |
| CROSSVOL™   | IntelliMAX™                                    | Quiet Series™   | TinyWire™   |
| CTL™  | ISOPLANAR™                                     | RapidConfigure™   | TranSiC™  |
| Current Transfer Logic™   | Making Small Speakers Sound Louder and Better™ |  | TriFault Detect™  |
| DEUXPEED®   | MegaBuck™                                      | Saving our world, 1mW/W/kW at a time™   | TRUECURRENT®*   |
| Dual Cool™  | MICROCOUPLER™                                  | SignalWise™   | μSerDes™  |
| EcoSPARK®   | MicroFET™                                      | SmartMax™   |  |
| EfficientMax™   | MicroPak™                                      | SMART START™  | UHC®  |
| ESBC™   | MicroPak2™                                     | Solutions for Your Success™   | Ultra FRFET™  |
|  | MillerDrive™                                   | SPM®  | UniFET™   |
| Fairchild®  | MotionMax™                                     | STEALTH™  | VCX™  |
| Fairchild Semiconductor®  | MotionGrid®                                    | SuperFET®   | VisualMax™  |
| FACT Quiet Series™  | MTi®   | SuperSOT™-3   | VoltagePlus™  |
| FACT®   | MTx®   | SuperSOT™-6   | XS™   |
| FastvCore™  | MVN®   | SuperSOT™-8   | Xsens™  |
| FETBench™   | mWSaver®                                       | SupreMOS®   | 仙童®   |
| FPS™  | OptoHiT™                                       | SyncFET™  |   |
|   | OPTOLOGIC®                                     | Sync-Lock™  |   |

\* Trademarks of System General Corporation, used under license by Fairchild Semiconductor.

### DISCLAIMER

FAIRCHILD SEMICONDUCTOR RESERVES THE RIGHT TO MAKE CHANGES WITHOUT FURTHER NOTICE TO ANY PRODUCTS HEREIN TO IMPROVE RELIABILITY, FUNCTION, OR DESIGN. TO OBTAIN THE LATEST, MOST UP-TO-DATE DATASHEET AND PRODUCT INFORMATION, VISIT OUR WEBSITE AT [HTTP://WWW.FAIRCHILDSEMI.COM](http://www.fairchildsemi.com). FAIRCHILD DOES NOT ASSUME ANY LIABILITY ARISING OUT OF THE APPLICATION OR USE OF ANY PRODUCT OR CIRCUIT DESCRIBED HEREIN; NEITHER DOES IT CONVEY ANY LICENSE UNDER ITS PATENT RIGHTS, NOR THE RIGHTS OF OTHERS. THESE SPECIFICATIONS DO NOT EXPAND THE TERMS OF FAIRCHILD'S WORLDWIDE TERMS AND CONDITIONS, SPECIFICALLY THE WARRANTY THEREIN, WHICH COVERS THESE PRODUCTS.

### AUTHORIZED USE

Unless otherwise specified in this data sheet, this product is a standard commercial product and is not intended for use in applications that require extraordinary levels of quality and reliability. This product may not be used in the following applications, unless specifically approved in writing by a Fairchild officer: (1) automotive or other transportation, (2) military/aerospace, (3) any safety critical application – including life critical medical equipment – where the failure of the Fairchild product reasonably would be expected to result in personal injury, death or property damage. Customer's use of this product is subject to agreement of this Authorized Use policy. In the event of an unauthorized use of Fairchild's product, Fairchild accepts no liability in the event of product failure. In other respects, this product shall be subject to Fairchild's Worldwide Terms and Conditions of Sale, unless a separate agreement has been signed by both Parties.

### ANTI-COUNTERFEITING POLICY

Fairchild Semiconductor Corporation's Anti-Counterfeiting Policy. Fairchild's Anti-Counterfeiting Policy is also stated on our external website, [www.fairchildsemi.com](http://www.fairchildsemi.com), under Terms of Use

Counterfeiting of semiconductor parts is a growing problem in the industry. All manufacturers of semiconductor products are experiencing counterfeiting of their parts. Customers who inadvertently purchase counterfeit parts experience many problems such as loss of brand reputation, substandard performance, failed applications, and increased cost of production and manufacturing delays. Fairchild is taking strong measures to protect ourselves and our customers from the proliferation of counterfeit parts. Fairchild strongly encourages customers to purchase Fairchild parts either directly from Fairchild or from Authorized Fairchild Distributors who are listed by country on our web page cited above. Products customers buy either from Fairchild directly or from Authorized Fairchild Distributors are genuine parts, have full traceability, meet Fairchild's quality standards for handling and storage and provide access to Fairchild's full range of up-to-date technical and product information. Fairchild and our Authorized Distributors will stand behind all warranties and will appropriately address any warranty issues that may arise. Fairchild will not provide any warranty coverage or other assistance for parts bought from Unauthorized Sources. Fairchild is committed to combat this global problem and encourage our customers to do their part in stopping this practice by buying direct or from authorized distributors.

### PRODUCT STATUS DEFINITIONS

#### Definition of Terms

Datasheet Identification	Product Status	Definition
Advance Information	Formative / In Design	Datasheet contains the design specifications for product development. Specifications may change in any manner without notice.
Preliminary	First Production	Datasheet contains preliminary data; supplementary data will be published at a later date. Fairchild Semiconductor reserves the right to make changes at any time without notice to improve design.
No Identification Needed	Full Production	Datasheet contains final specifications. Fairchild Semiconductor reserves the right to make changes at any time without notice to improve the design.
Obsolete	Not In Production	Datasheet contains specifications on a product that is discontinued by Fairchild Semiconductor. The datasheet is for reference information only.

Rev. I77