

Excellent Integrated System Limited

Stocking Distributor

Click to view price, real time Inventory, Delivery & Lifecycle Information:

[CUI Inc.](#)

[CLS0282MA-L152](#)

For any questions, you can email us directly:

sales@integrated-circuit.com



Part No: CLS0282MA-L152

Date: 7/03/2007

Description: speaker

Unit: mm

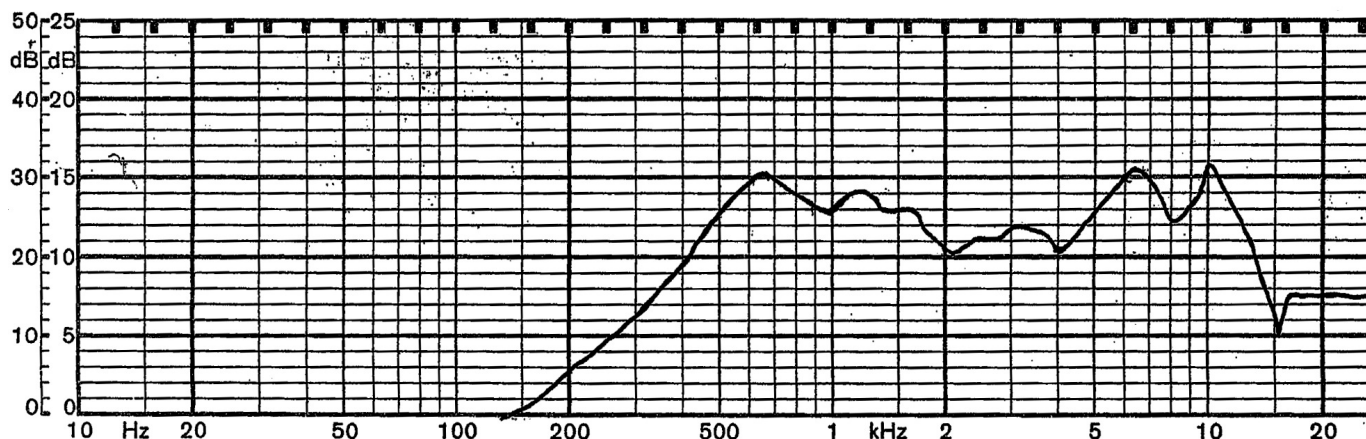
Page No: 1 of 2

Specifications

Nominal Size	28 mm		
Impedance	8 Ohm \pm 15%	at	1.5 KHz 1 V
Resonant frequency	550 Hz \pm 150 Hz	at	1 V
Sound pressure level	85 dB/w \pm 3 dB	0.5 w 50 cm ave. at	0.8K, 1K, 1.2K, 1.5K Hz
Response	Fo Hz ~ 10 KHz max 10 dB		
Input power	Nominal 0.5 W	Handling capacity	1 W
Operation	must be normal at program source 0.5 W		
Buzz, rattle, etc.	must be normal at sine wave 2.0 V		
Magnet	Size: 9.5 x 1.5 mm		
Load test	White noise 0.5 W	for	5 hours
Heat test	65 \pm 2° C	20-50% R.H.	5 hours
Humidity test	40 \pm 2° C	90-95% R.H.	5 hours

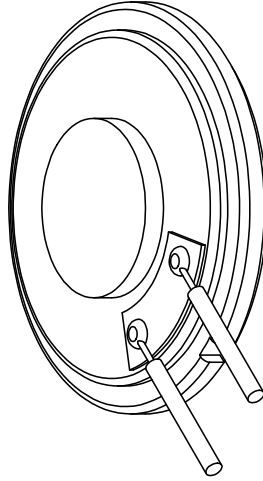
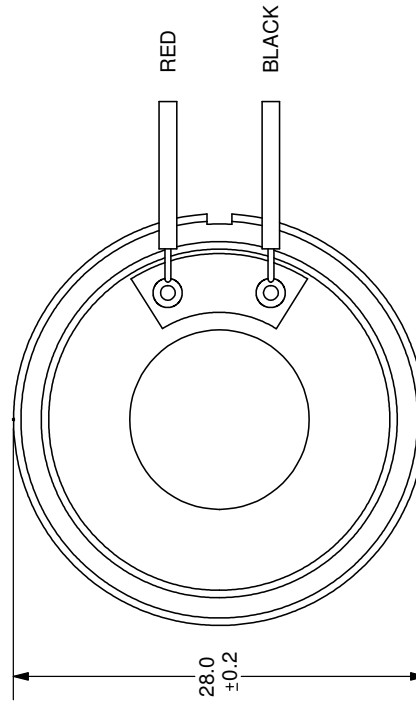
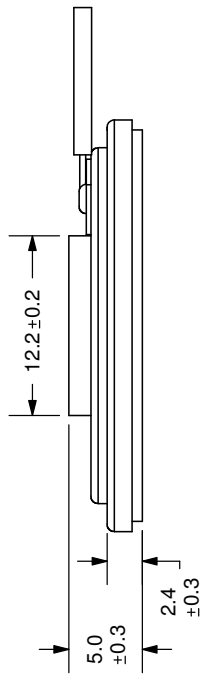
Frequency Response Curve

Potentiometer range	50 dB
Rectifier	RMS
Lower limit frequency	20 Hz
Wr. speed	100 mm/sec



Zero level 60 dB

REV.	DESCRIPTION	DATE
A	NEW DRAWING	7/3/2007



SPECIFICATIONS:
 WIRE: UL1007, #28AWG
 LENGTH: 152mm
TOLERANCE:
 ±0.5mm UNLESS OTHERWISE
 SPECIFIED



20050 SW 112th Ave.
 Tualatin, OR 97062
 Phone: 503-612-2300
 800-275-4899
 Fax: 503-612-2383
 Website: www.cui.com

TITLE:	LOW PROFILE SPEAKER	REV:	A
PART NO.	CLS0282MA-L152	UNITS:	MM [INCHES]
DRAWN BY:	ZRJ	APPROVED BY:	
		SCALE:	2:1