



Excellent Integrated System Limited

Stocking Distributor

Click to view price, real time Inventory, Delivery & Lifecycle Information:

[TE Connectivity AMP Connectors](#)
[2-552476-1](#)

For any questions, you can email us directly:

sales@integrated-circuit.com

4

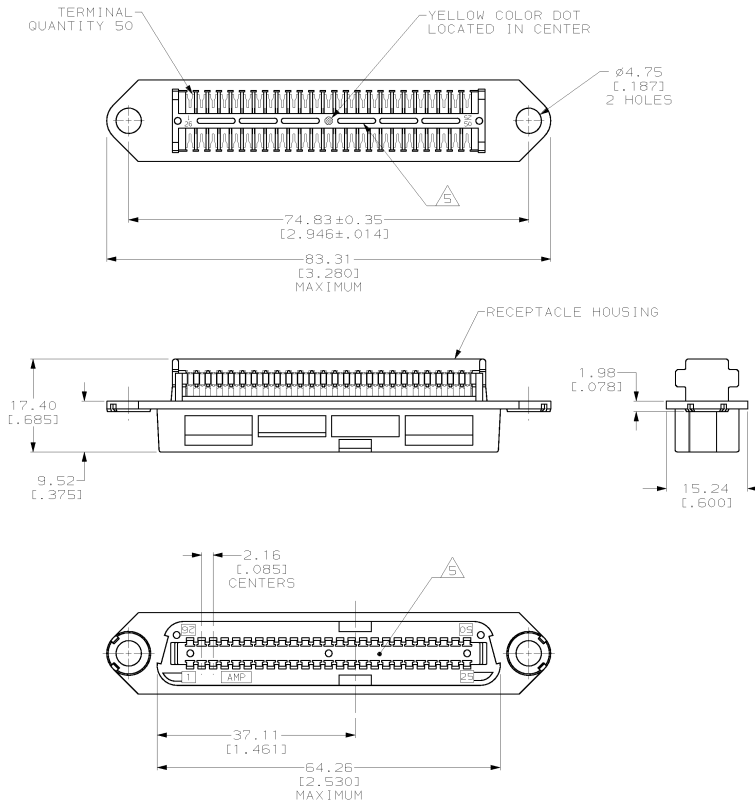
3

2

1

THIS DRAWING IS UNPUBLISHED. RELEASED FOR PUBLICATION
 (C) COPYRIGHT IS BY TYCO ELECTRONICS. ALL RIGHTS RESERVED.

LOC	DATE	REVISIONS				
AA	20	REV	DESCRIPTION	DATE	BY	APP'D
		K	REVISED PER EC DUFO-0057-01	01JUN01	DD	EB



1. THE CONTACT SURFACES OF THE TERMINALS ARE COATED WITH LUBRICANT.
 2. ALL DIMENSIONS SHOWN ARE FOR REFERENCE ONLY UNLESS OTHERWISE SPECIFIED.
 3. MATERIAL: HOUSING - POLYPHYLENE OXIDE. TERMINALS - HIGH STRENGTH COPPER ALLOY PLATED WITH 0.78µm [0.000300] MINIMUM THICK GOLD ON CONTACT MATING SURFACE AND GOLD FLASH ON IDC CONTACT SLOT SURFACE. 1.27µm [0.000500] MINIMUM THICK NICKEL UNDERPLATE OVER ENTIRE TERMINAL.
 4. WIRE SIZE: 26, 27, 28 AWG 7 STRANDED COPPER CONDUCTORS. MAX INSULATION DIAMETER OF 1.14 [0.045] IS ACCEPTABLE FOR MOST APPLICATIONS.
- ⚠ CORING MAY OR MAY NOT APPEAR AND IS AT THE DISCRETION OF AMP.

BLACK	THIN FLANGE	2-552476-1
COLOR	DESCRIPTION	PART NUMBER

THIS DRAWING IS A CONTROLLED DOCUMENT.		REV	DATE	BY	APP'D
DIMENSIONS:		IN	MM	DESCRIPTION	DATE
mm (INCHES)		+	-	+	-
D		PLC	+	+	+
E		PLC	+	+	+
F		PLC	+	+	+
G		PLC	+	+	+
H		PLC	+	+	+
I		MMES	+	+	+
MATERIAL		PLAID	+	+	+
PARTIAL		+	+	+	+
CUSTOMER DRAWING		SCALE 2:1		SHEET 1 OF 1 REV C	

AMP Tyco Electronics
 Harrisburg, PA 17105-3508

RECEPTACLE ASSEMBLY,
 50 POSITION, E-SLOT, WITH .187 DIAMETER HOLES, CHAMP-LOK

SIZE 00779
 DATE 008
 DRAWING NO 552476

552476