

Excellent Integrated System Limited

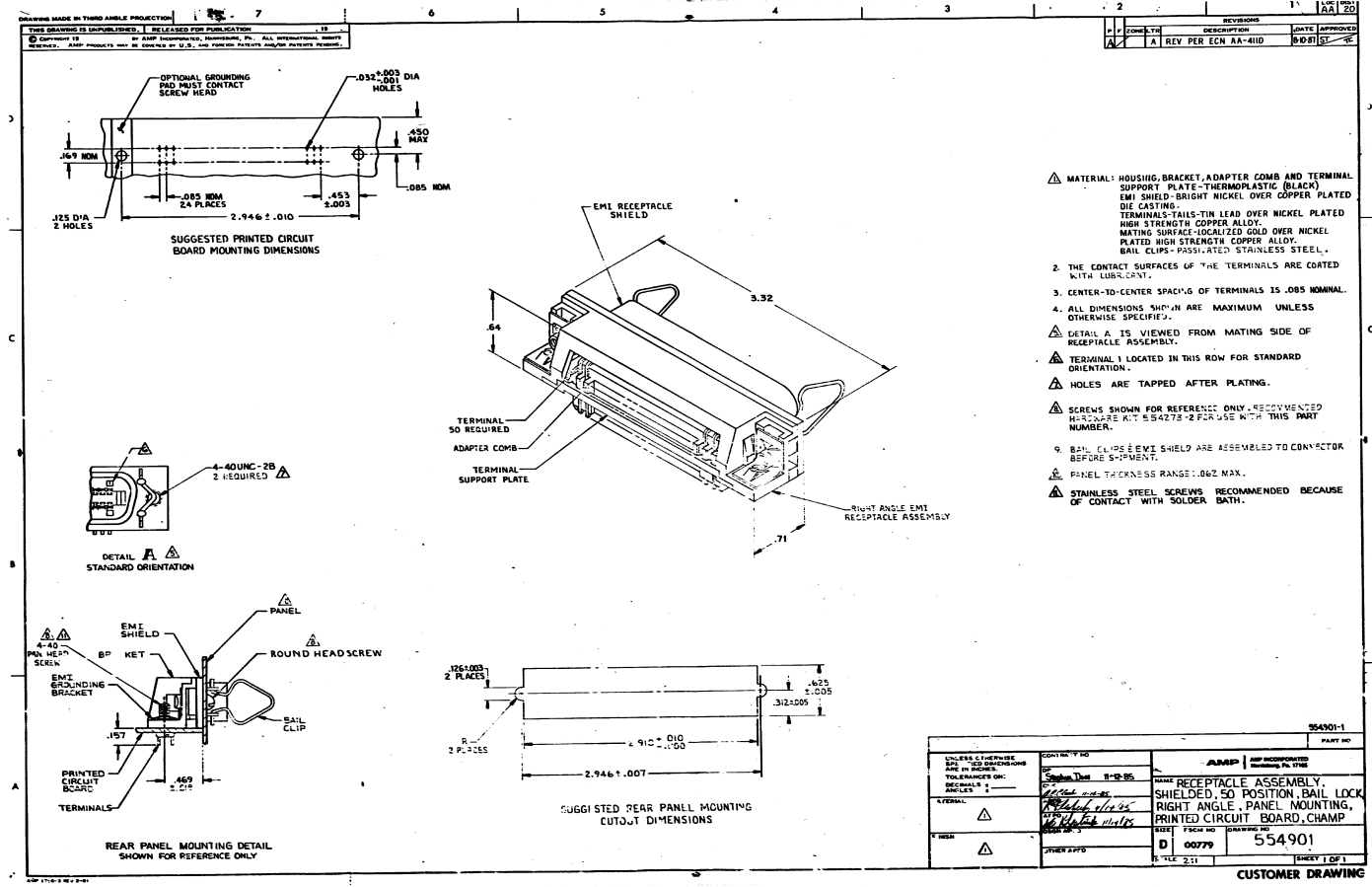
Stocking Distributor

Click to view price, real time Inventory, Delivery & Lifecycle Information:

[TE Connectivity AMP Connectors](#)
[554901-1](#)

For any questions, you can email us directly:

sales@integrated-circuit.com



- REVISIONS
- | REV | DATE | DESCRIPTION | DATE APPROVED |
|-----|------|--------------------|---------------|
| A | | REV PER ECH AA-410 | 0081 |
- △ MATERIAL: HOUSING, BRACKET, ADAPTER COMB AND TERMINAL SUPPORT PLATE-THERMOPLASTIC (BLACK)
 - EMI SHIELD-BRIGHT NICKEL OVER COPPER PLATED DIE CASTING.
 - TERMINALS-TAILS-TIN LEAD OVER NICKEL PLATED HIGH STRENGTH COPPER ALLOY.
 - MATING SURFACE-LOCALIZED GOLD OVER NICKEL PLATED HIGH STRENGTH COPPER ALLOY.
 - BAIL CLIPS-POSSIDATED STAINLESS STEEL.
 - 2. THE CONTACT SURFACES OF THE TERMINALS ARE COATED WITH LUBRICANT.
 - 3. CENTER-TO-CENTER SPACING OF TERMINALS IS .085 NOMINAL.
 - 4. ALL DIMENSIONS SHOWN ARE MAXIMUM UNLESS OTHERWISE SPECIFIED.
 - △ DETAIL A IS VIEWED FROM MATING SIDE OF RECEPTACLE ASSEMBLY.
 - △ TERMINAL 1 LOCATED IN THIS ROW FOR STANDARD ORIENTATION.
 - △ HOLES ARE TAPPED AFTER PLATING.
 - △ SCREWS SHOWN FOR REFERENCE ONLY-RECOMMENDED HERRING RITE 554275-2 FOR USE WITH THIS PART NUMBER.
 - 9. BAIL CLIPS EMI SHIELD ARE ASSEMBLED TO CONNECTOR BEFORE SHIPMENT.
 - △ PANEL THICKNESS RANGE: .042 MAX.
 - △ STAINLESS STEEL SCREWS RECOMMENDED BECAUSE OF CONTACT WITH SOLDER BATH.

UNLESS OTHERWISE SPECIFIED DIMENSIONS ARE IN INCHES		CONTRACT NO.		PART NO.	
TOLERANCES ON: DIMENSIONS .010		DATE: 08/08/90		REV: 000000	
DECIMALS .010		DESIGNED BY: [Signature]		DRAWN BY: [Signature]	
FRACTIONS 1/32		CHECKED BY: [Signature]		DATE: 00779	
APPROVED BY: [Signature]		OTHER APPS:		DRAWING NO. 554901	
SCALE: 2:1		SHEET 1 OF 1		CUSTOMER DRAWING	