

Excellent Integrated System Limited

Stocking Distributor

Click to view price, real time Inventory, Delivery & Lifecycle Information:

[TE Connectivity AMP Connectors
555057-1](#)

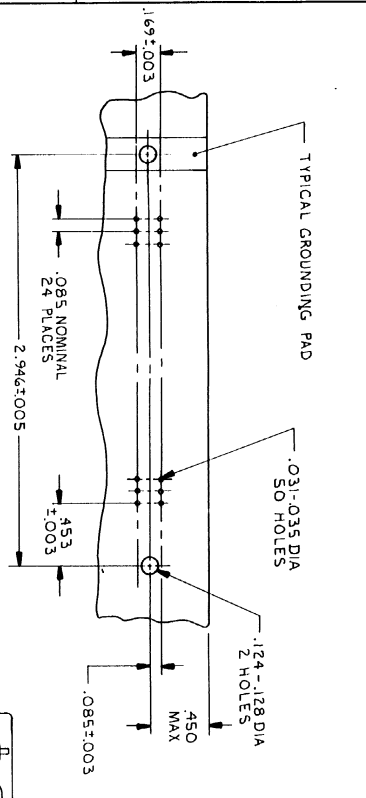
For any questions, you can email us directly:
sales@integrated-circuit.com



THIS DRAWING IS UNPUBLISHED. RELEASED FOR PUBLICATION
 © CONN PART 13
 AMP CONNECTOR, W.A. IN CONN. BY U.S. AND FOREIGN PATENTS AND/OR PENDING APPLIC.

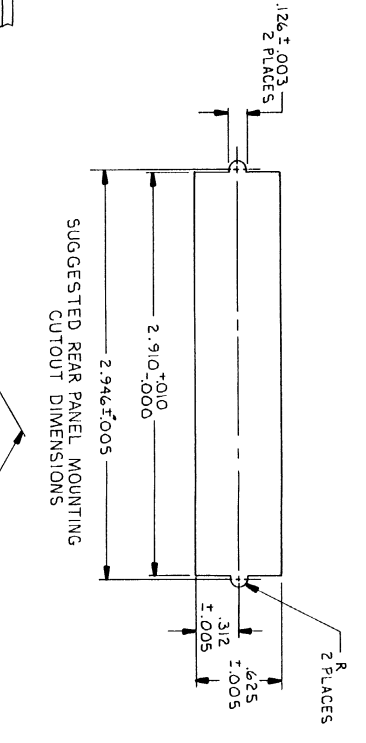
7 6 5 4 3 2

REV PER E
 9
 1

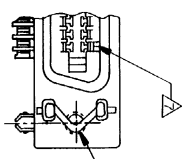


TYPICAL GROUNDING PAD

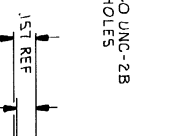
SUGGESTED REAR PANEL MOUNTING CUTOUT DIMENSIONS



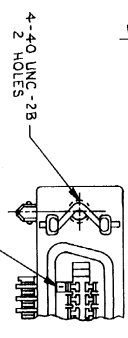
SUGGESTED REAR PANEL MOUNTING CUTOUT DIMENSIONS



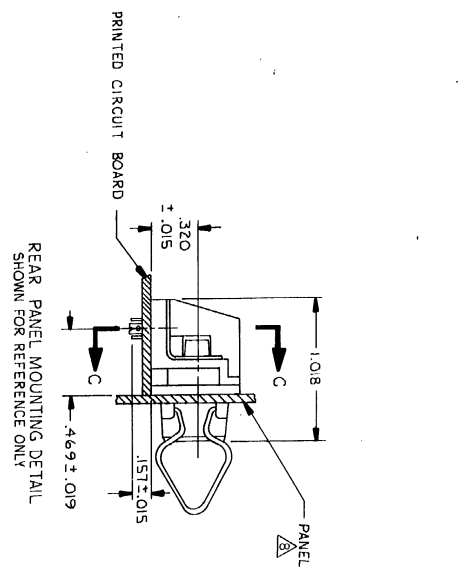
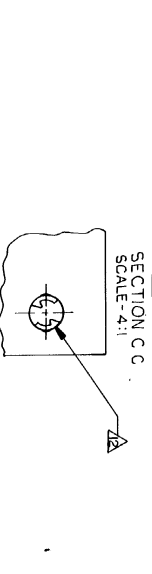
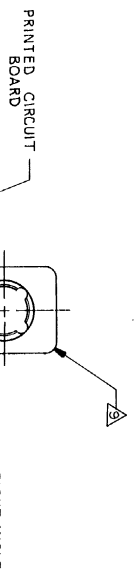
DETAIL A STANDARD ORIENTATION



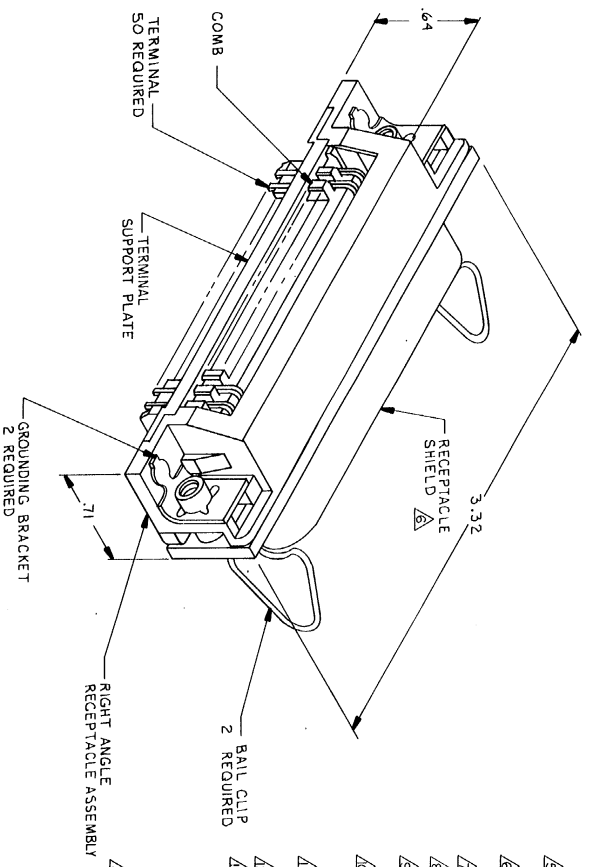
DETAIL B REVERSE ORIENTATION



DETAIL C REVERSE ORIENTATION



REAR PANEL MOUNTING DETAIL SHOWN FOR REFERENCE ONLY



MATERIAL: HOUSING-BRACKET TERMINAL SUB BLACK. BAIL CLIPS-PASS RECEPTACLE SHIELD COPPER PLATED TERMINALS-TAIL PLATED HIGH STRENGTH MATING SURFACE PLATED HIGH STRENGTH GROUND BRACKET STEEL.

1. THE CONTACT SURFACES OF WITH LUBRICANT.

2. CENTER TO CENTER SPACING NOMINAL.

3. ALL DIMENSIONS SHOWN ARE OTHERWISE SPECIFIED.

4. DETAIL A IS VIEWED FROM M ASSEMBLY.

SHIELD IS ASSEMBLED TO R BEFORE SHIPMENT.

TERMINAL 1 LOCATED IN THIS R

PANEL THICKNESS RANGE: .062

GROUNDING BRACKET RETAINS P C BOARD WITHOUT ADDITION IF TERMINALS DO NOT EXTEND BE PARTIALLY RETRACTED BEFO INTO P C BOARD.

GROUNDING BRACKET LOCATES OF P C BOARD AND SPRING LOO CYLINDRICAL SHAPE OFFERS BE

SURFACE AREA OF GROUNDING SHALL PASS SOLDERABILITY RE WITH AMP SPECIFICATION 109-1 SPOTS AND OTHER COSMETIC BARREL PLATING PROCESSES A PARTS PASS 24 HOUR EXPOSURE WITHOUT EVIDENCE OF CORRO

TERMINAL 1 LOCATED IN T ORIENTATION.

UNLESS OTHERWISE SPECIFIED, DIMENSIONS ARE IN INCHES. TOLERANCES ON: ANGLES: ± 1°	CONTRACT NO. OF C. 44024	DATE: 9-29-86
MATERIAL: 10-6-86	APP'D: [Signature]	CHK'D: [Signature]
DESIGN APPROV: [Signature]	OTHER APPROV: [Signature]	SIZE: D
FINISH: [Symbol]	SCALE: 2:1	TSCM NO: 00779