

## **Excellent Integrated System Limited**

Stocking Distributor

Click to view price, real time Inventory, Delivery & Lifecycle Information:

[TE Connectivity AMP Connectors](#)  
[555520-2](#)

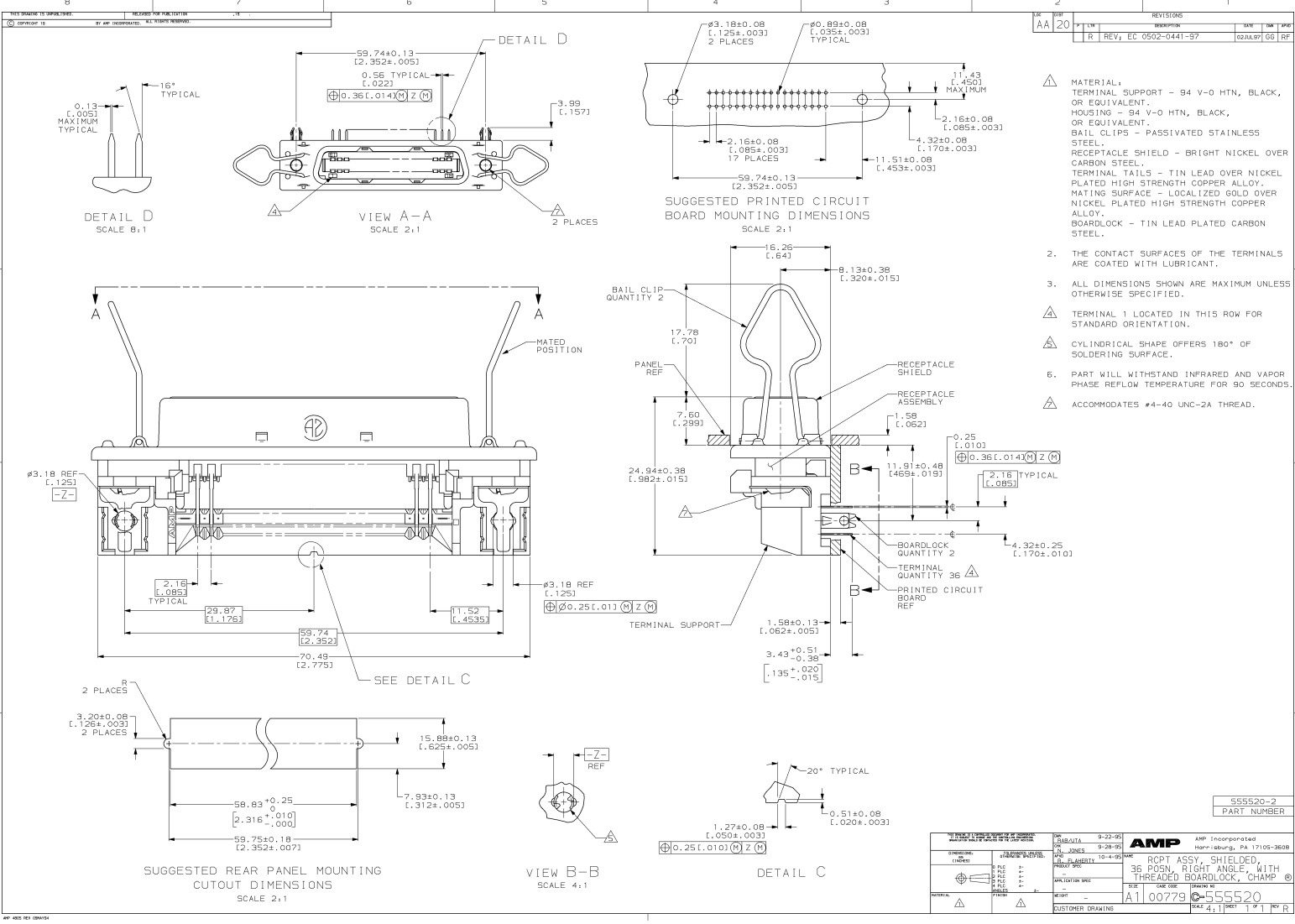
For any questions, you can email us directly:

[sales@integrated-circuit.com](mailto:sales@integrated-circuit.com)



# Distributor of TE Connectivity AMP Connectors: Excellent Integrated System Limited

## Datasheet of 555520-2 - CONN CHAMP 36 POS RECEPT RT/ANG



555520-2  
PART NUMBER

REV	DATE	DESCRIPTION	BY	CHK	APP
AA	20				
R		REV: EC 0502-0441-97			

TITLE: 555520-2 CONN CHAMP 36 POS RECEPT RT/ANG DRAWN BY: JONES DATE: 10-4-95 CHECKED BY: [blank] DATE: [blank] APPROVED BY: [blank] DATE: [blank]	<b>AMP</b> AMP Incorporated Harrisburg, PA 17105-3608 RPT ASSY, SHIELDED, 36 POSN, RIGHT ANGLE, WITH THREADED BOARDLOCK, CHAMP
SIZE: A1 QTY: 00779 DATE: 555520 DRAWN NO: [blank]	CUSTOMER DRAWING DRAWN BY: [blank]