

Excellent Integrated System Limited

Stocking Distributor

Click to view price, real time Inventory, Delivery & Lifecycle Information:

[TE Connectivity AMP Connectors](#)
[554216-3](#)

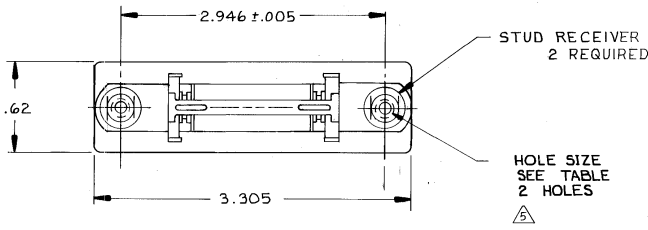
For any questions, you can email us directly:

sales@integrated-circuit.com

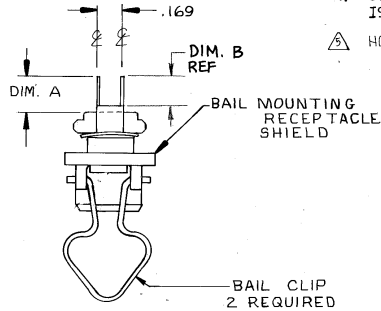
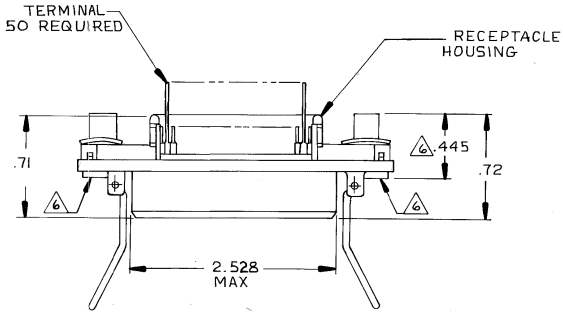
DRAWING MADE IN THIRD ANGLE PROJECTION

THIS DRAWING IS UNPUBLISHED. RELEASED FOR PUBLICATION 19
 © COPYRIGHT 19 BY AMP INCORPORATED, HARRISBURG, PA. ALL INTERNATIONAL RIGHTS RESERVED. AMP PRODUCTS MAY BE COVERED BY U.S. AND FOREIGN PATENTS AND/OR PATENTS PENDING.

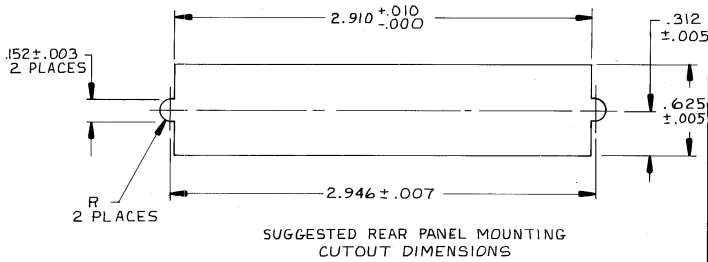
REVISIONS				LOC	DIST
P	F	ZONE/LTR	DESCRIPTION	DATE	APPROVED
		N	REVISED; EC: 001C-0072-01	5-11-01	DD/EB



1. THE CONTACT SURFACES OF THE TERMINALS ARE COATED WITH LUBRICANT.
2. ALL DIMENSIONS SHOWN ARE FOR REFERENCE ONLY UNLESS OTHERWISE SPECIFIED.
3. MATERIAL: HOUSING-THERMOPLASTIC, BLACK. TERMINAL TAILS-TIN LEAD OVER NICKEL PLATED HIGH STRENGTH COPPER ALLOY. MATING SURFACE-GOLD OVER NICKEL PLATED HIGH STRENGTH COPPER ALLOY. STUD RECEIVER-STAINLESS STEEL. BAIL CLIP-STAINLESS STEEL. SHIELD-NICKEL PLATED DIE CASTING.



4. CENTER-TO-CENTER SPACING OF TERMINALS IS .085.
- △ HOLES TO BE TAPPED AFTER PLATING.



.232 + PANEL THICKNESS	.197 + PCB THICKNESS
PANEL SIDE PCB SIDE	
RECOMMENDED HARDWARE FOR SCSI (PAN HEAD SCREW LENGTH)	

4-40	.185	.20	554216-4
UNC-2B	.120	.135	554216-3
HOLE SIZE	DIM. B	DIM. A	PART NO

UNLESS OTHERWISE SPECIFIED DIMENSIONS ARE IN INCHES. TOLERANCES ON: DECIMALS ± ANGLES ±	CONTRACT NO	AMP AMP INCORPORATED Harrisburg, Pa. 17105
	DR <i>J.C. Beck 6/7/83</i>	
MATERIAL △	CHK <i>MD/jrl 6-17-83</i>	NAME RECEPTACLE ASSEMBLY, 50 POSITION, VERTICAL MOUNTING, SHIELDED, BAIL LOCK
	APPD <i>7/1/83</i>	SIZE FSCM NO DRAWING NO C 00779 554216
FINISH △	APPD <i>7/1/83</i>	SCALE 2:1 SHEET 1 OF 1
	OTHER APPD	

554216