

## Excellent Integrated System Limited

Stocking Distributor

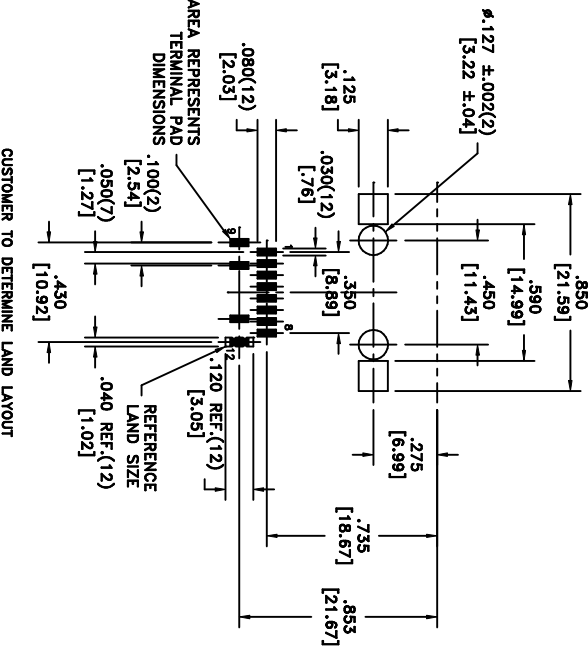
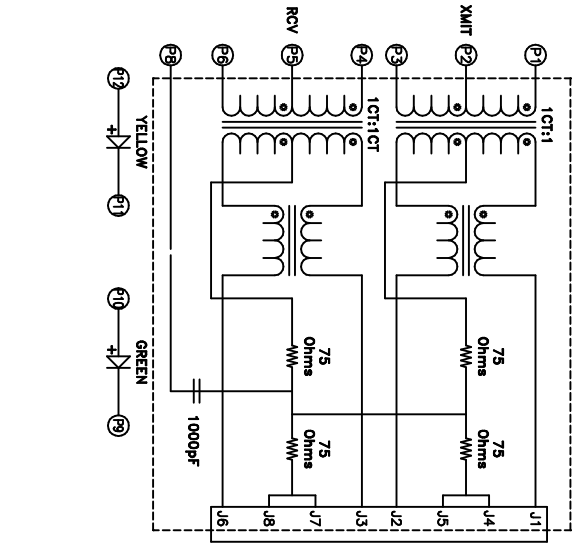
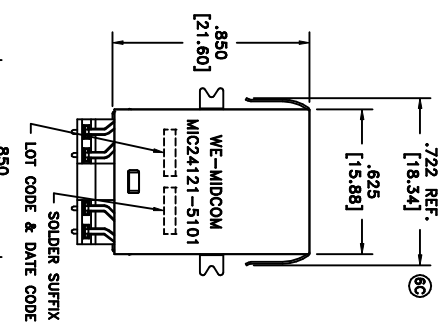
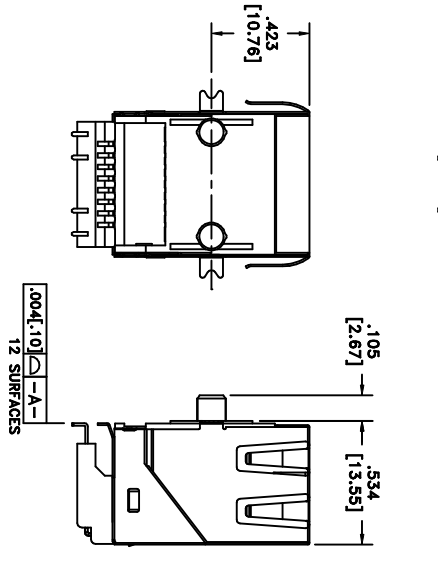
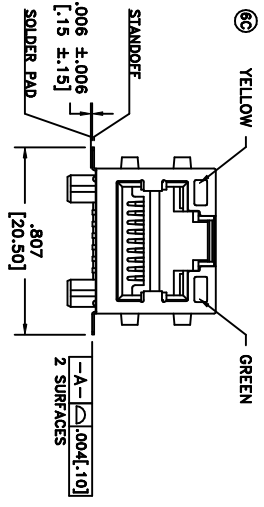
Click to view price, real time Inventory, Delivery & Lifecycle Information:

[Wurth Electronics Inc](#)  
[7498011121](#)

For any questions, you can email us directly:

[sales@integrated-circuit.com](mailto:sales@integrated-circuit.com)

|              |                   |      |               |
|--------------|-------------------|------|---------------|
| SOLDER SUFTX | CUSTOMER TERMINAL | ROHS | LEAD(Pb)-FREE |
| LFS          | SM100X            | Yes  | No            |



**ELECTRICAL SPECIFICATIONS @ 25°C unless otherwise not**

INDUCTANCE: 350uH min., 100KHz, 100mV, 8mADC, J1-J2; J3-J6, Lp.

DIELECTRIC RATING: 1500Vrms for 1 minute between P1-J1(the P1+P4), (P1-P3),(J1-J2) = 1:1, ±2%. (P4-P6):(J3-J6) = 1:1, ±2%.

TURNS RATIO/POLARITY: (P1-P3),(J1-J2) = 1:1, ±2%. (P4-P6):(J3-J6) = 1:1, ±2%.

INSERTION LOSS: -1.0dB max., 1MHz - 100MHz.

RETURN LOSS: -16dB min., 1M - 30MHz.  
-16dB min., 30M - 45MHz.  
-14dB min., 45M - 60MHz.  
-12dB min., 60M - 80MHz.

CROSSTALK: -35dB min., 1MHz - 100MHz.

COMMON MODE REJECTION: -35dB min., 1MHz - 100MHz.

OPERATING TEMPERATURE RANGE: 0°C to +70°C.

Unless otherwise specified:  
Tolerances: Fractions: ±1/64  
Decimals: ±.010[.25]  
Angles: ±1°  
This drawing is dual dimensioned. Dimensions in brackets are in millimeters.

DRAWING TITLE  
**TRANSFORMER**  
10/100Mbps

MIDCOM INC.  
www.midcom-inc.com

DRAWING NO.  
**MIC24121-5101W-1**

AGENCY  
UL60950-1