



Distributor of BUD Industries, Inc.: Excellent Integrated System Limited

Datasheet of BT-2724 - BOX PLSTC TRN BLUE 6.73"LX4.76"W

Contact us: [sales@integrated-circuit.com](mailto:sales@integrated-circuit.com) Website: [www.integrated-circuit.com](http://www.integrated-circuit.com)

---

## Excellent Integrated System Limited

Stocking Distributor

Click to view price, real time Inventory, Delivery & Lifecycle Information:

[BUD Industries, Inc.](#)

[BT-2724](#)

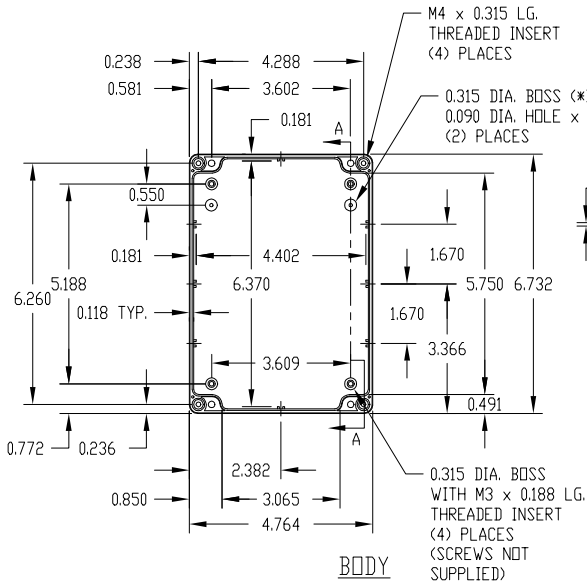
For any questions, you can email us directly:

[sales@integrated-circuit.com](mailto:sales@integrated-circuit.com)

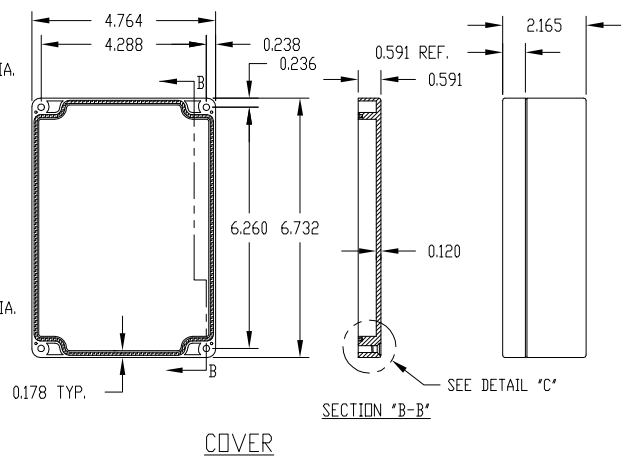
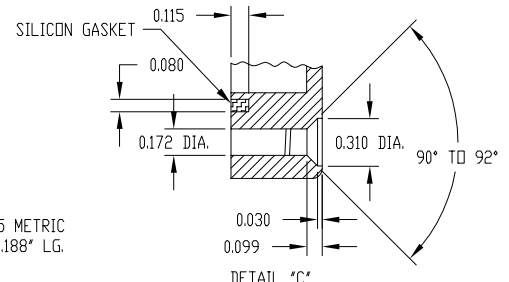
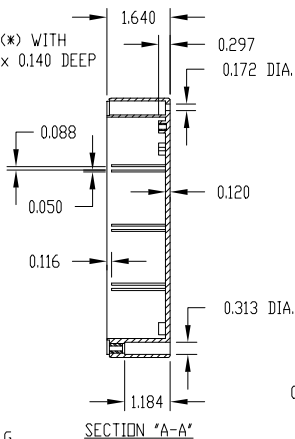
PART NAME	TRANSPARENT BLUE NEMA ENCLOSURE	PART No.	BT-2724
-----------	---------------------------------	----------	---------

UL FILE #194432

MATERIAL:  
POLYCARBONATE, TRANSPARENT BLUE  
UL94V-2 FLAMMABILITY RATING  
UV STABILIZED  
SERVICE TEMPERATURE RANGE:  
-40°C TO +120°C



(\*) MOUNTING BOSSES USE EITHER M2.5 METRIC OR #4 STD. SHEET METAL SCREWS x 0.188" LG. (NOT SUPPLIED)



HARDWARE KIT
KIT CONTAINS (4) M4 x 20mm (0.787") LG. SCREWS FOR ASSEMBLY

NOTE: ALL DIMENSIONS HAVE ±0.015 TOLERANCE UNLESS OTHERWISE SPECIFIED.