



Distributor of BUD Industries, Inc.: Excellent Integrated System Limited

Datasheet of HH-3580-BCB - BOX ABS BLACK 5.71"L X 3.54"W

Contact us: sales@integrated-circuit.com Website: www.integrated-circuit.com

Excellent Integrated System Limited

Stocking Distributor

Click to view price, real time Inventory, Delivery & Lifecycle Information:

[BUD Industries, Inc.](#)
[HH-3580-BCB](#)

For any questions, you can email us directly:

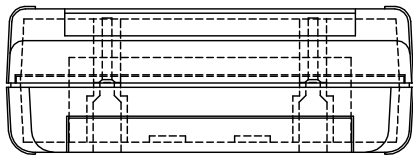
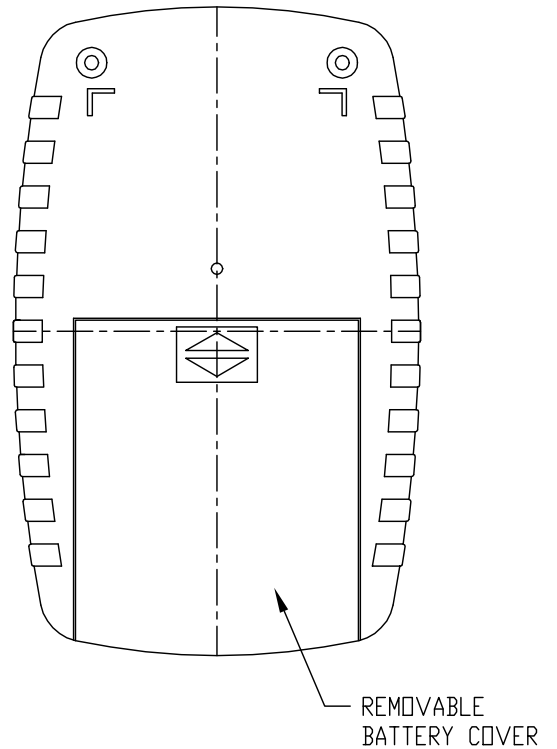
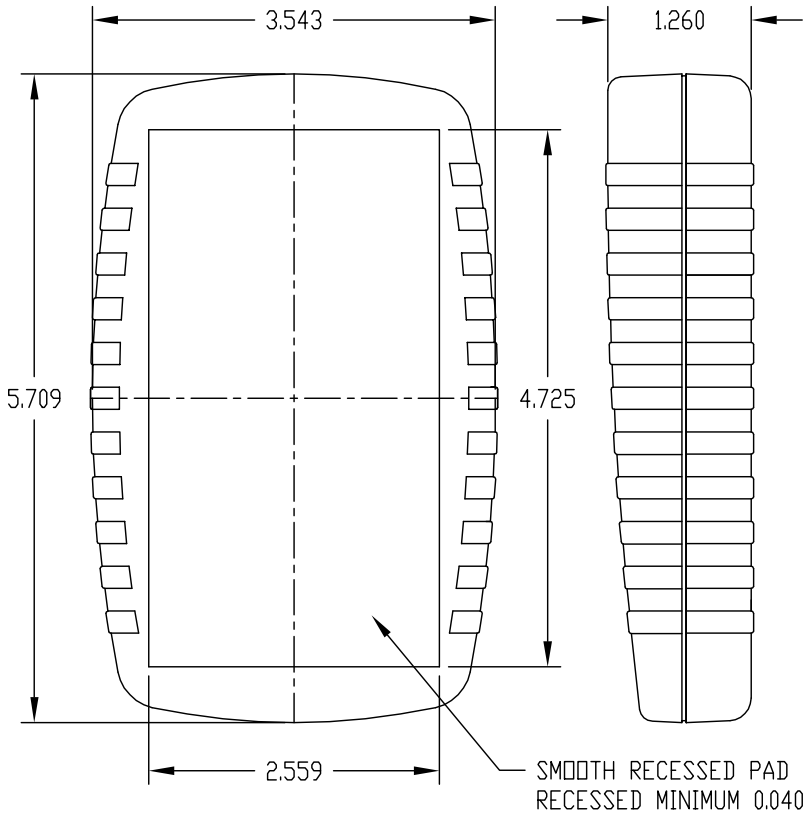
sales@integrated-circuit.com

PART NAME	HAND HAND BOX (STYLE L)	PART No.	HH-3580-BC	REV. DATE	
-----------	-------------------------	----------	------------	-----------	--

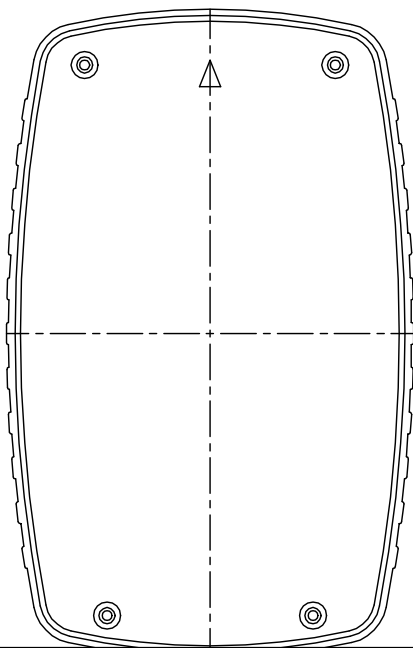
MATERIAL: HIGH IMPACT ABS WITH UL94V-0
FLAMMABILITY RATING

FINISH: TEXTURED BLACK

ALL DIMENSIONS HAVE ±0.015 TOLERANCE
FOUR (4) M3 x 1/2" LG. FLAT HD. STAINLESS
STEEL SCREWS SUPPLIED FOR ASSEMBLY



NOTE: MOUNTING BOSSES USE EITHER M2.5 METRIC
OR #4 STD. SHEET METAL SCREWS x 3/16" LG.
(NOT SUPPLIED)



0.236 DIA. BOSS
WITH 0.087 DIA. HOLE
(4) PLACES

