

## Excellent Integrated System Limited

Stocking Distributor

Click to view price, real time Inventory, Delivery & Lifecycle Information:

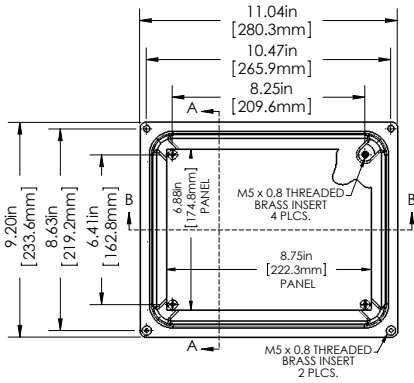
[BUD Industries, Inc.](#)  
[NF-6612](#)

For any questions, you can email us directly:

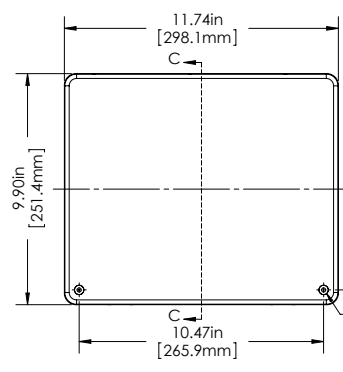
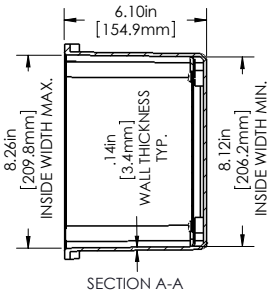
[sales@integrated-circuit.com](mailto:sales@integrated-circuit.com)



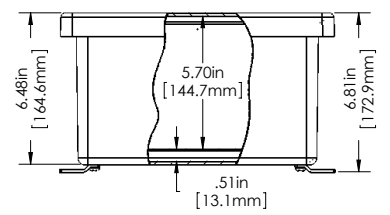
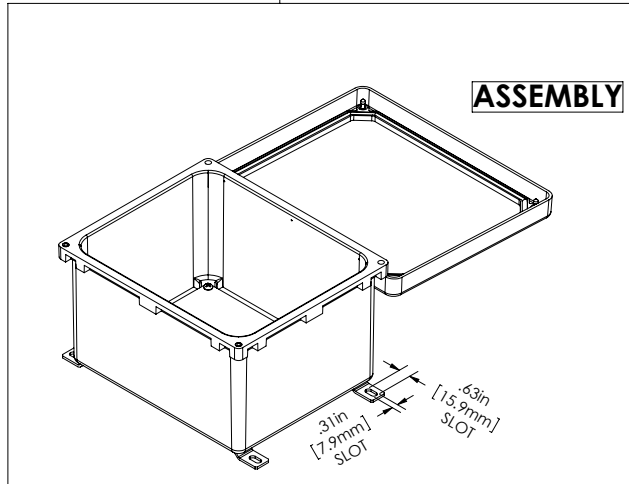
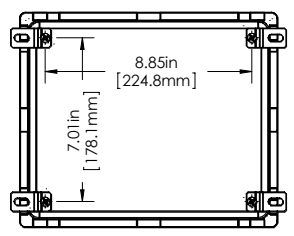
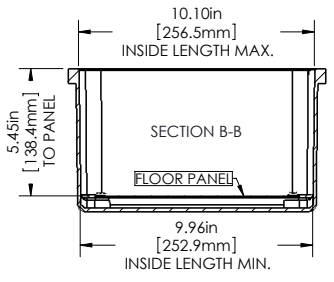
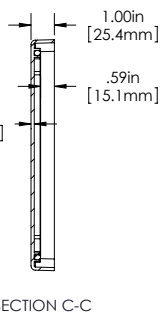
PART NAME	FIBERGLASS NEMA BOX	PART No.	NF-6612	REVISION DATE	8/10/2010
-----------	---------------------	----------	---------	---------------	-----------



**BODY**



**COVER**



**TOLERANCES:** ±.02" (0.5mm) [UNLESS OTHERWISE SPECIFIED]

**MATERIAL:**  
 BODY & COVER - FIBERGLASS REINFORCED POLYESTER (SMC)  
 PANEL - 14 GA. (2mm) THK. COLD ROLLED STEEL  
 MOUNTING BRACKETS - 12 GA. (2.5mm) 304 STAINLESS STEEL  
 HINGE - 18 GA. (1.2mm) THK. 304 STAINLESS STEEL  
 GASKET - SILICONE SPONGE

**FINISH:**  
 BODY & COVER - LIGHT GREY  
 PANEL - WHITE POLYESTER POWDER COAT  
 MOUNTING BRACKETS & HINGE - NATURAL

NOTE: WALL MOUNTING BRACKETS AND SCREWS SUPPLIED - UNASSEMBLED.