

Excellent Integrated System Limited

Stocking Distributor

Click to view price, real time Inventory, Delivery & Lifecycle Information:

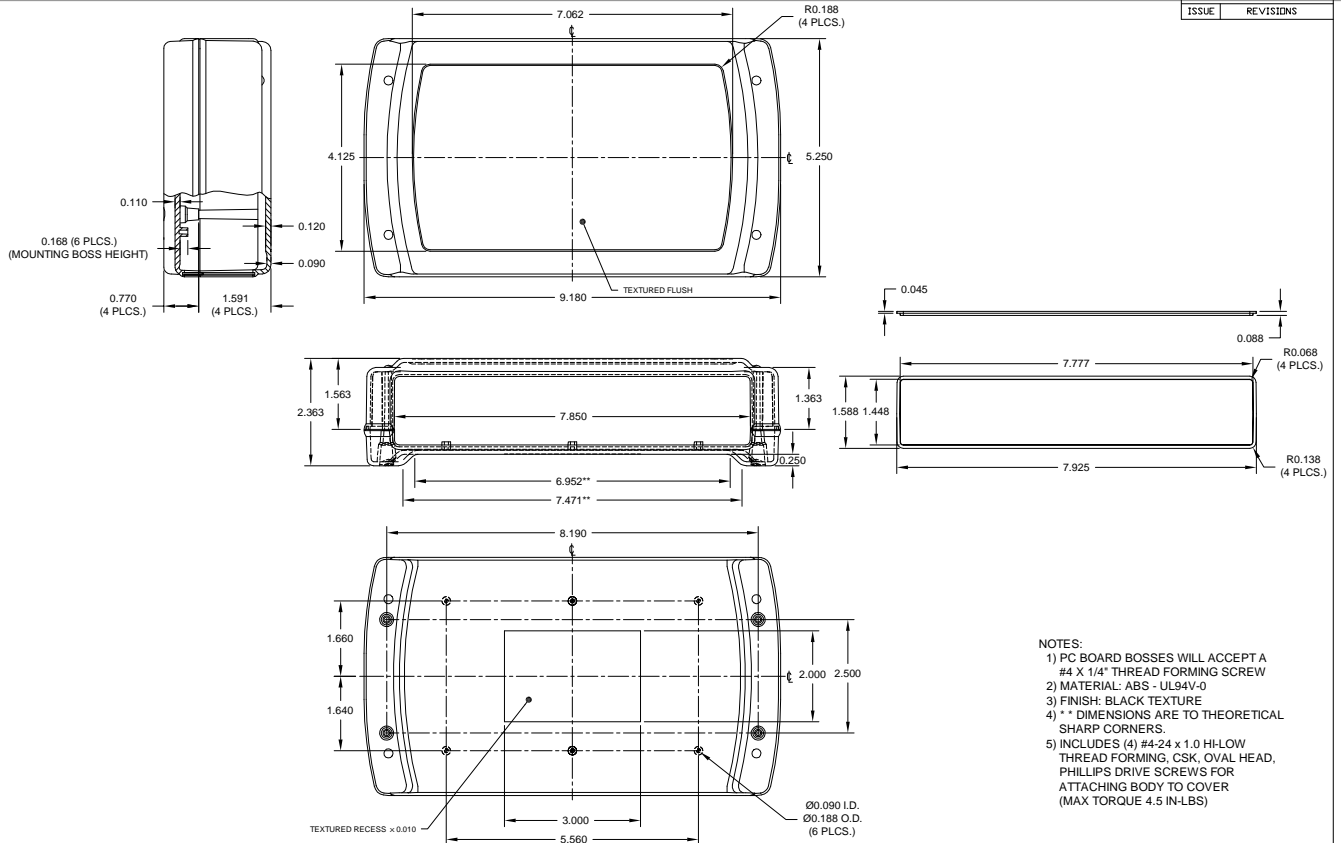
[BUD Industries, Inc.](#)

[PC-11645](#)

For any questions, you can email us directly:

sales@integrated-circuit.com

DWG. NO.	PC-11645
ISSUE	REVISIONS



- NOTES:
- 1) PC BOARD BOSSES WILL ACCEPT A #4 X 1/4" THREAD FORMING SCREW
 - 2) MATERIAL: ABS - UL94V-0
 - 3) FINISH: BLACK TEXTURE
 - 4) ** DIMENSIONS ARE TO THEORETICAL SHARP CORNERS.
 - 5) INCLUDES (4) #4-24 x 1.0 HI-LOW THREAD FORMING, CSK, OVAL HEAD, PHILLIPS DRIVE SCREWS FOR ATTACHING BODY TO COVER (MAX TORQUE 4.5 IN-LBS)

QTY.	USED ON	TOLERANCES:	ITEM	REQ'D.	PART NO.	DESCRIPTION
		#009 BETWEEN HOLE CENTERS #015 FROM SHEARD EDGE #035 FROM A BENT SURFACE #150 BETWEEN ASSEMBLED SURFACES UNLESS OTHERWISE SPECIFIED	MAT:	AS NOTED	SCALE:	NAME:
			FINISH:	AS NOTED		BUD INDUSTRIES, INC.
			DR:	DAB	5-29-07	WILLOUGHBY, OHIO
			CH:			DWG. NO. PC-11645
			APP:			