

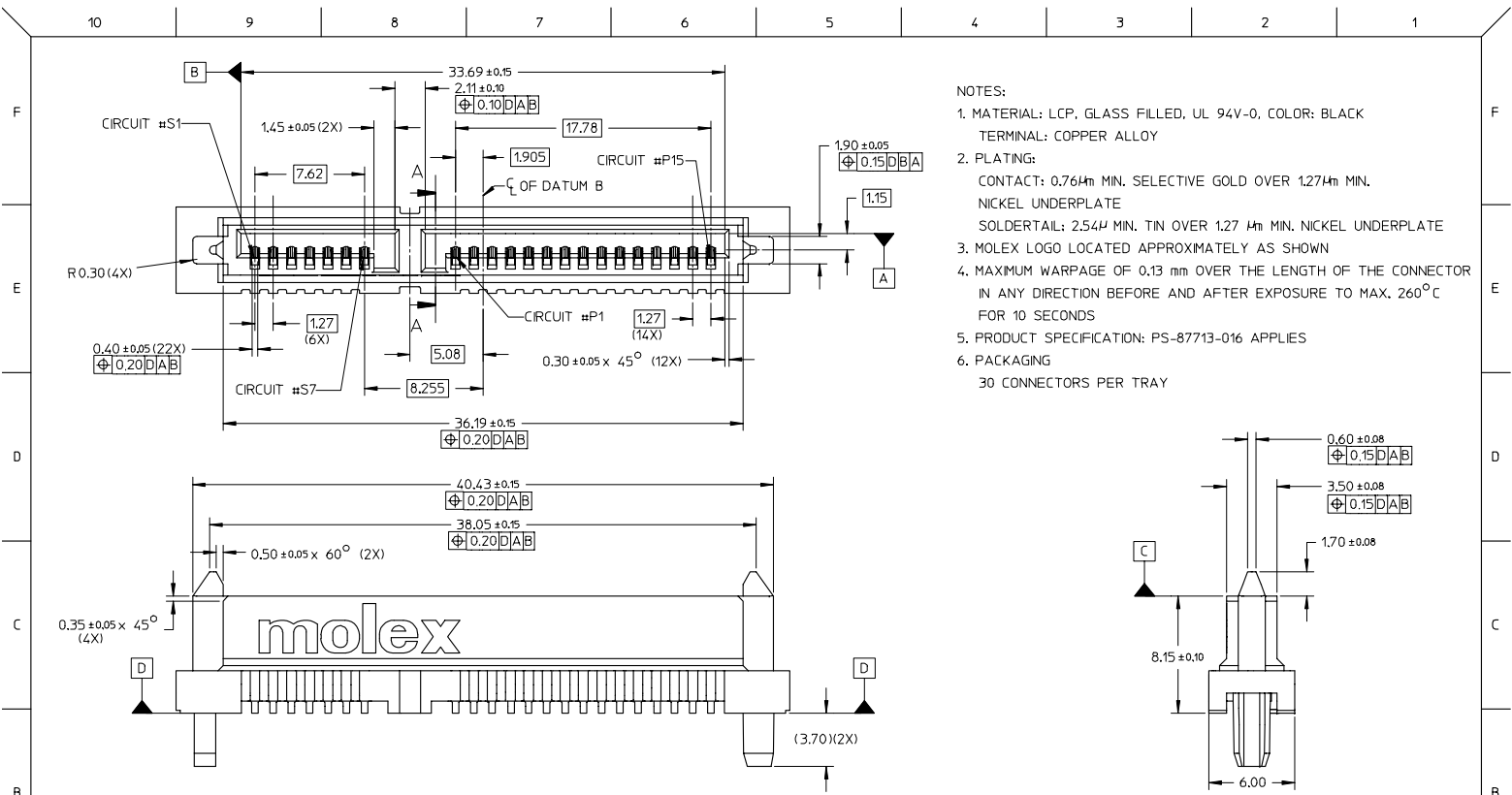
Excellent Integrated System Limited

Stocking Distributor

Click to view price, real time Inventory, Delivery & Lifecycle Information:

[Molex Connector Corporation](#)
[0877131001](#)

For any questions, you can email us directly:
sales@integrated-circuit.com



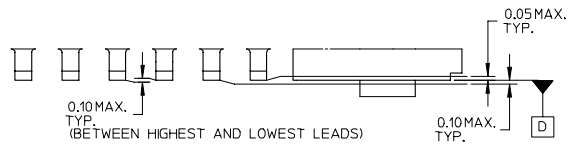
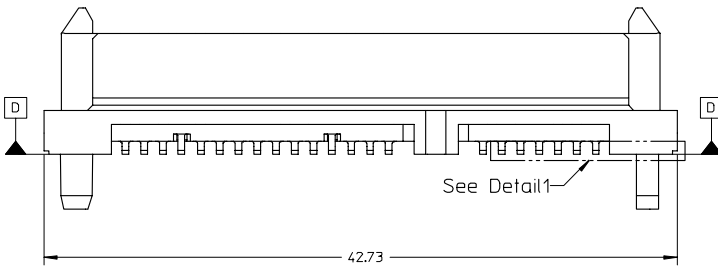
- NOTES:
1. MATERIAL: LCP, GLASS FILLED, UL 94V-0, COLOR: BLACK
TERMINAL: COPPER ALLOY
 2. PLATING:
CONTACT: 0.76µm MIN. SELECTIVE GOLD OVER 1.27µm MIN. NICKEL UNDERPLATE
SOLDERTAIL: 2.54µm MIN. TIN OVER 1.27µm MIN. NICKEL UNDERPLATE
 3. MOLEX LOGO LOCATED APPROXIMATELY AS SHOWN
 4. MAXIMUM WARPAGE OF 0.13 mm OVER THE LENGTH OF THE CONNECTOR IN ANY DIRECTION BEFORE AND AFTER EXPOSURE TO MAX. 260°C FOR 10 SECONDS
 5. PRODUCT SPECIFICATION: PS-87713-016 APPLIES
 6. PACKAGING
30 CONNECTORS PER TRAY

OBS: TIN/LEAD P/N EC NO: S2006-0984 DRAWN/CHKD: JONG/CHKDC: JGTAN 2006/04/04 2006/04/04 APPR:	QUALITY SYMBOLS ▽=0 ▽=0	GENERAL TOLERANCES (UNLESS SPECIFIED) <table border="1"> <thead> <tr> <th></th> <th>mm</th> <th>INCH</th> </tr> </thead> <tbody> <tr> <td>4 PLACES</td> <td>± ---</td> <td>± ---</td> </tr> <tr> <td>3 PLACES</td> <td>± ---</td> <td>± ---</td> </tr> <tr> <td>2 PLACES</td> <td>± 0.20</td> <td>± ---</td> </tr> <tr> <td>1 PLACE</td> <td>± ---</td> <td>± ---</td> </tr> </tbody> </table>		mm	INCH	4 PLACES	± ---	± ---	3 PLACES	± ---	± ---	2 PLACES	± 0.20	± ---	1 PLACE	± ---	± ---	DIMENSION STYLE MM ONLY	SCALE NTS	DESIGN UNITS METRIC	THIRD ANGLE PROJECTION
		mm	INCH																		
	4 PLACES	± ---	± ---																		
	3 PLACES	± ---	± ---																		
2 PLACES	± 0.20	± ---																			
1 PLACE	± ---	± ---																			
REV:	DRAFT WHERE APPLICABLE MUST REMAIN WITHIN DIMENSIONS	DRAWN BY: DKOH DATE: 2002/07/05 CHECKED BY: KCL ING DATE: 2002/07/05 APPROVED BY: SKTOH DATE: 2002/07/05	TITLE SERIAL ATA BACKPLANE STD HEIGHT, RECEPT., SMT	MATERIAL NO. 87713-1001	DOCUMENT NO. SD-87713-001	SHEET NO. 1 OF 4															
SIZE A3	THIS DRAWING CONTAINS INFORMATION THAT IS PROPRIETARY TO MOLEX INCORPORATED AND SHOULD NOT BE USED WITHOUT WRITTEN PERMISSION																				

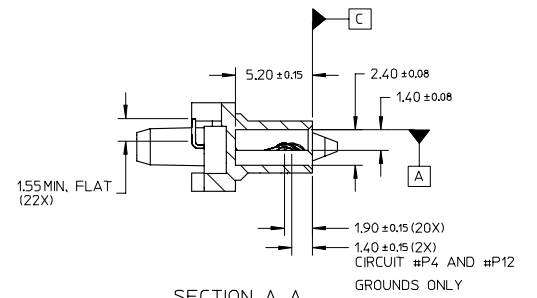
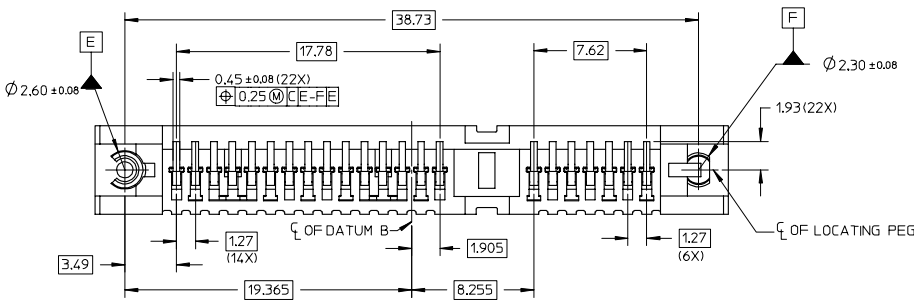
10 9 8 7 6 5 4 3 2 1

F
E
D
C
B
A

F
E
D
C
B
A



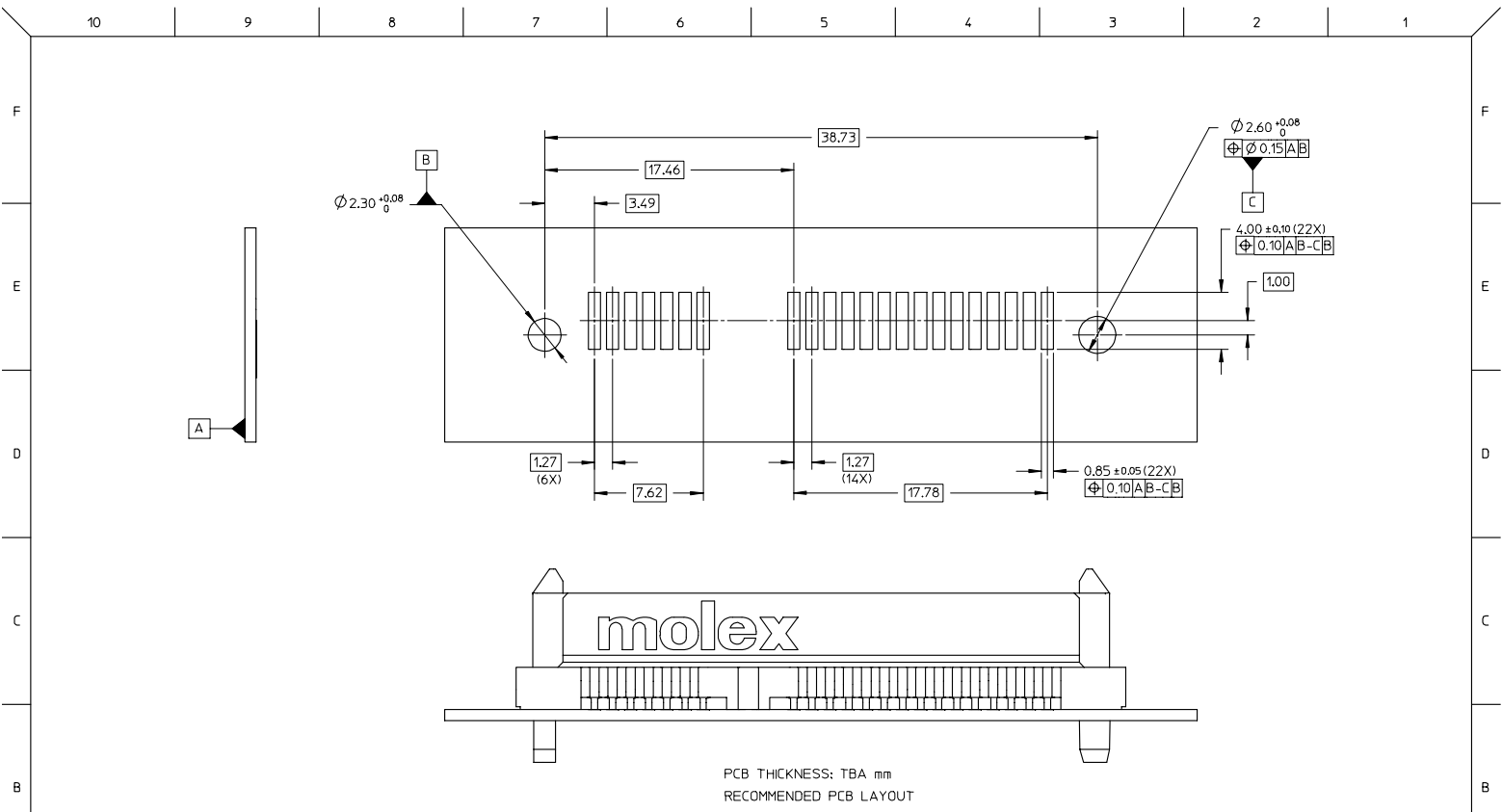
DETAIL 1



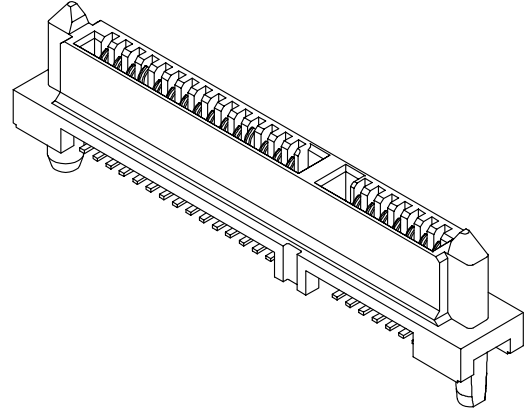
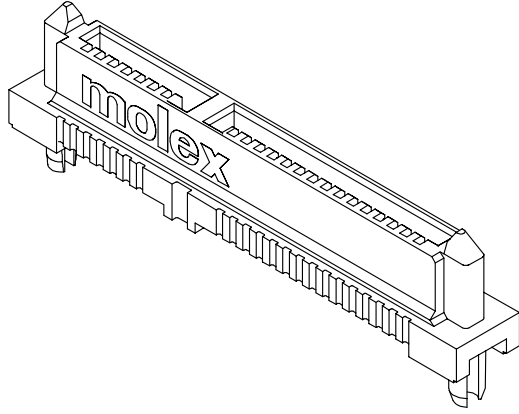
SECTION A-A

OBS. TIN/LEAD P/N EC. NO. S2006-0584 DRAWING NO. 2004/04/04 CHKD. C. GTAN APPR. K. LING 2006/04/04	QUALITY SYMBOLS ▽=0 ▽=0	GENERAL TOLERANCES (UNLESS SPECIFIED)		DIMENSION STYLE MM ONLY		SCALE NTS	DESIGN UNITS METRIC	THIRD ANGLE PROJECTION		
		4 PLACES ± --- ± ---	3 PLACES ± --- ± ---	2 PLACES ± 0.20 ± ---	1 PLACE ± --- ± ---	DRAWN BY DKOH	DATE 2002/07/05	TITLE SERIAL ATA BACKPLANE STD HEIGHT, RECEPT., SMT		
		ANGULAR ± 3 °				CHECKED BY KCL LING	DATE 2002/07/05	MOLEX INCORPORATED		
		DRAFT WHERE APPLICABLE MUST REMAIN WITHIN DIMENSIONS				APPROVED BY SKTOH	DATE 2002/07/05	MATERIAL NO. 87713-1001	DOCUMENT NO. SD-87713-001	SHEET NO. 2 OF 4

9 8 7 6 5 4 3 2 1



OBS. TIN/LEAD P/N EC. NO. S2006-0984 DRAWING LONG CHKD:CGTAN APPR:KCLING 2006/04/04 2006/04/04 2006/04/04	QUALITY SYMBOLS ▽=0 ▽=0	GENERAL TOLERANCES (UNLESS SPECIFIED)		DIMENSION STYLE MM ONLY		SCALE NTS	DESIGN UNITS METRIC	THIRD ANGLE PROJECTION	
		4 PLACES ± --- ± ---	3 PLACES ± --- ± ---	DRAWN BY DKOH	DATE 2002/07/05	TITLE SERIAL ATA BACKPLANE STD HEIGHT, RECEPT., SMT			
		2 PLACES ± 0.20 ± ---	1 PLACE ± --- ± ---	CHECKED BY KCLING	DATE 2002/07/05	MOLEX INCORPORATED			
		ANGULAR ± 3 °		APPROVED BY SKTOH	DATE 2002/07/05	MATERIAL NO. 87713-1001	DOCUMENT NO. SD-87713-001	SHEET NO. 3 OF 4	
DRAFT WHERE APPLICABLE MUST REMAIN WITHIN DIMENSIONS		SIZE A3		THIS DRAWING CONTAINS INFORMATION THAT IS PROPRIETARY TO MOLEX INCORPORATED AND SHOULD NOT BE USED WITHOUT WRITTEN PERMISSION					



OBS. TIN/LEAD P/N EC. NO. S2006-0984 DRAWING LONG CHKDCGTAIN APPROCKLING 2006/04/04 2006/04/04 2006/04/04	QUALITY SYMBOLS	GENERAL TOLERANCES (UNLESS SPECIFIED)		DIMENSION STYLE MM ONLY		SCALE NTS	DESIGN UNITS METRIC	THIRD ANGLE PROJECTION
	▼=0 ▽=0	4 PLACES ± --- ± ---	3 PLACES ± --- ± ---	DRAWN BY DKOH	DATE 2002/07/05	TITLE SERIAL ATA BACKPLANE STD HEIGHT, RECEPT., SMT		
		2 PLACES ± 0.20 ± ---	1 PLACE ± --- ± ---	CHECKED BY KCL ING	DATE 2002/07/05	MOLEX INCORPORATED		
		ANGULAR ± 3 °		APPROVED BY SKTOH	DATE 2002/07/05	MATERIAL NO. 87713-1001	DOCUMENT NO. SD-87713-001	SHEET NO. 4 OF 4
	DRAFT WHERE APPLICABLE MUST REMAIN WITHIN DIMENSIONS		THIS DRAWING CONTAINS INFORMATION THAT IS PROPRIETARY TO MOLEX INCORPORATED AND SHOULD NOT BE USED WITHOUT WRITTEN PERMISSION					