

Excellent Integrated System Limited

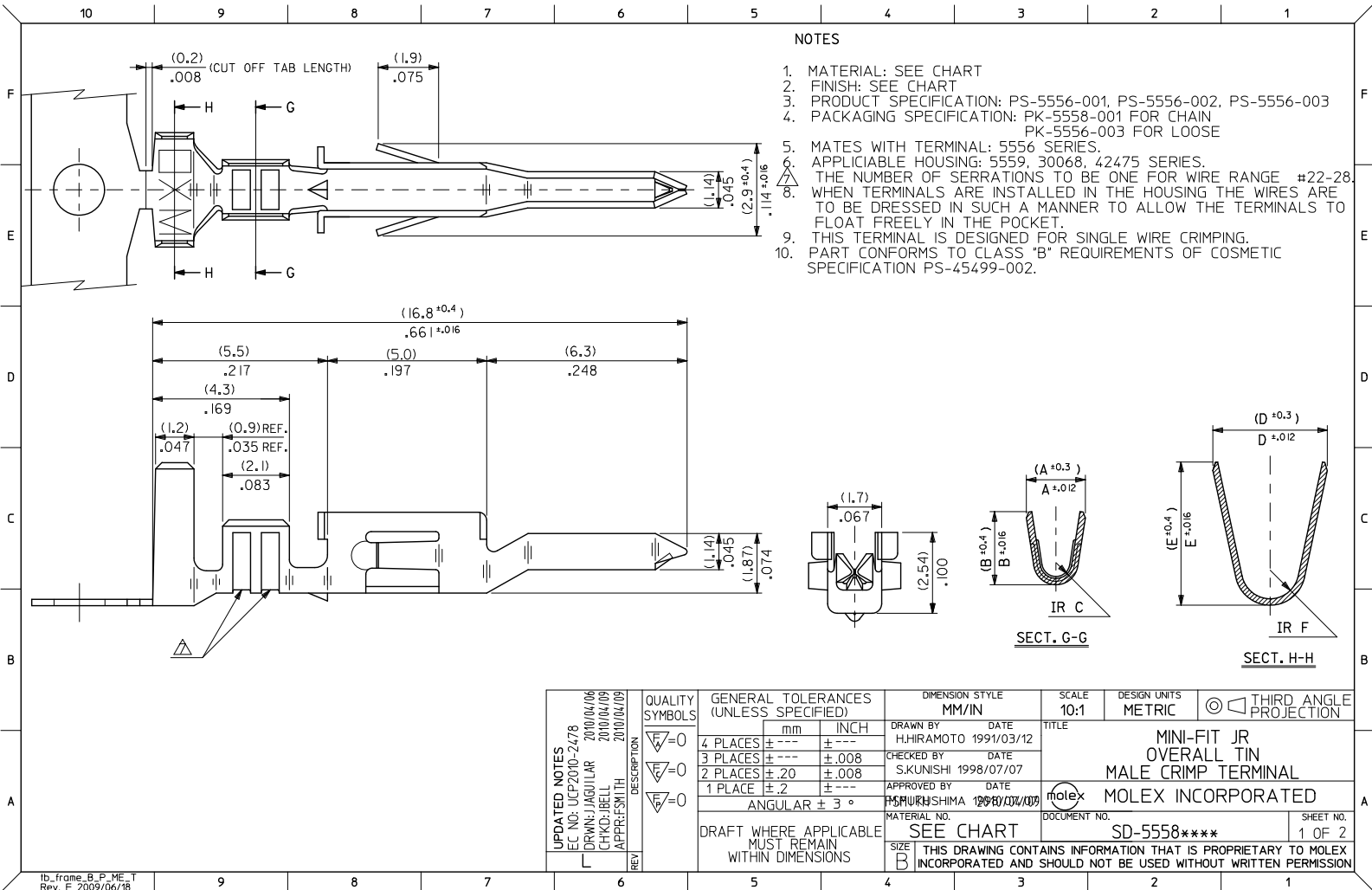
Stocking Distributor

Click to view price, real time Inventory, Delivery & Lifecycle Information:

[Molex Connector Corporation](#)
[0039000048](#)

For any questions, you can email us directly:

sales@integrated-circuit.com



UPDATED NOTES EC NO: LCP2010-2478 DRAWN: JAGUILAR 2010/04/06 CHECKED: BELL 2010/04/09 APPROVED: SMITH 2010/04/09	QUALITY SYMBOLS $\nabla=0$ $\nabla=0$ $\nabla=0$	GENERAL TOLERANCES (UNLESS SPECIFIED) <table border="1"> <thead> <tr> <th></th> <th>mm</th> <th>INCH</th> </tr> </thead> <tbody> <tr> <td>4 PLACES</td> <td>± .15</td> <td>± .005</td> </tr> <tr> <td>3 PLACES</td> <td>± .10</td> <td>± .003</td> </tr> <tr> <td>2 PLACES</td> <td>± .20</td> <td>± .008</td> </tr> <tr> <td>1 PLACE</td> <td>± .2</td> <td>± .008</td> </tr> </tbody> </table>		mm	INCH	4 PLACES	± .15	± .005	3 PLACES	± .10	± .003	2 PLACES	± .20	± .008	1 PLACE	± .2	± .008	DIMENSION STYLE MM/IN	SCALE 10:1	DESIGN UNITS METRIC	THIRD ANGLE PROJECTION
		mm	INCH																		
	4 PLACES	± .15	± .005																		
	3 PLACES	± .10	± .003																		
2 PLACES	± .20	± .008																			
1 PLACE	± .2	± .008																			
DESCRIPTION MINI-FIT JR OVERALL TIN MALE CRIMP TERMINAL	DRAWN BY H.HIRAMOTO	DATE 1991/03/12	TITLE MINI-FIT JR OVERALL TIN MALE CRIMP TERMINAL	MOLEX INCORPORATED																	
CHECKED BY S.KUNISHI	DATE 1998/07/07	APPROVED BY M.MURAKUSHIMA	DATE 1998/07/09																		
MATERIAL NO. SEE CHART	DOCUMENT NO. SD-5558****	SHEET NO. 1 OF 2	THIS DRAWING CONTAINS INFORMATION THAT IS PROPRIETARY TO MOLEX INCORPORATED AND SHOULD NOT BE USED WITHOUT WRITTEN PERMISSION																		

10 9 8 7 6 5 4 3 2 1

TIN PLATED PHOSPHOR BRONZE	(0.9)	(4.5)	(3.6)	(0.6)	(2.7)	(2.3)	∅ (3.1)	#16	39-00-0084	5558 PBT3L	LOOSE
	.035	.177	.142	.024	.106	.091	.122		↑ -0083	↑ PBT3	CHAIN
	(0.6)	(2.3)	(2.3)	(0.4)	(1.65)	(1.8)	∅ (0.9-1.8)	#22-28	-0068	PBT2L	LOOSE
	.024	.091	.091	.016	.065	.071	∅ .035-.071		-0067	PBT2	CHAIN
TIN OVER COPPER PLATED BRASS	(0.9)	(4.5)	(3.6)	(0.5)	(2.3)	(1.9)	∅ (1.3-3.1)	#18-24	-0062	PBTL	LOOSE
	.035	.177	.142	.020	.091	.075	∅ .051-.122		-0061	PBT	CHAIN
	(0.9)	(4.5)	(3.6)	(0.6)	(2.7)	(2.3)	∅ (3.1)	#16	-0082	T3L	LOOSE
	.035	.177	.142	.024	.106	.091	.122		-0081	T3	CHAIN
MATERIAL	(0.6)	(2.3)	(2.3)	(0.4)	(1.65)	(1.8)	∅ (0.9-1.8)	#22-28	-0049	T2L	LOOSE
	.024	.091	.091	.016	.065	.071	∅ .035-.071		-0048	T2	CHAIN
	(0.9)	(4.5)	(3.6)	(0.5)	(2.3)	(1.9)	∅ (1.3-3.1)	#18-24	↓ -0041	↓ TL	LOOSE
	.035	.177	.142	.020	.091	.075	∅ .051-.122		39-00-0040	5558 T	CHAIN

UPDATE TITLE BLOCK EC NO: UCP2010-2478 DRAWN: JAGUILAR 2010/04/06 CHECK: BELL 2010/04/08 APPROVE: SMITH 2010/04/09	QUALITY SYMBOLS ∇=0 ∇=0 ∇=0	GENERAL TOLERANCES (UNLESS SPECIFIED)		DIMENSION STYLE		SCALE	DESIGN UNITS	THIRD ANGLE PROJECTION	
				MM/IN		10:1	METRIC		
		4 PLACES ± .008	± .008	DRAWN BY	DATE	TITLE			
		3 PLACES ± .010	± .010	H.HIRAMOTO	1991/03/12	MINI-FIT JR OVERALL TIN MALE CRIMP TERMINAL			
2 PLACES ± .015	± .015	CHECKED BY	DATE	MOLEX INCORPORATED					
1 PLACE ± .020	± .020	S.KUNISHI	1998/07/07	SD-5558****					
ANGULAR ± 3°		APPROVED BY	DATE	SHEET NO.					
DRAFT WHERE APPLICABLE MUST REMAIN WITHIN DIMENSIONS		F.M.HUKUSHIMA	2010/04/09	2 OF 2					
		MATERIAL NO.	SEE CHART	THIS DRAWING CONTAINS INFORMATION THAT IS PROPRIETARY TO MOLEX INCORPORATED AND SHOULD NOT BE USED WITHOUT WRITTEN PERMISSION					
		SIZE	B						

9 8 7 6 5 4 3 2 1