

## Excellent Integrated System Limited

Stocking Distributor

Click to view price, real time Inventory, Delivery & Lifecycle Information:

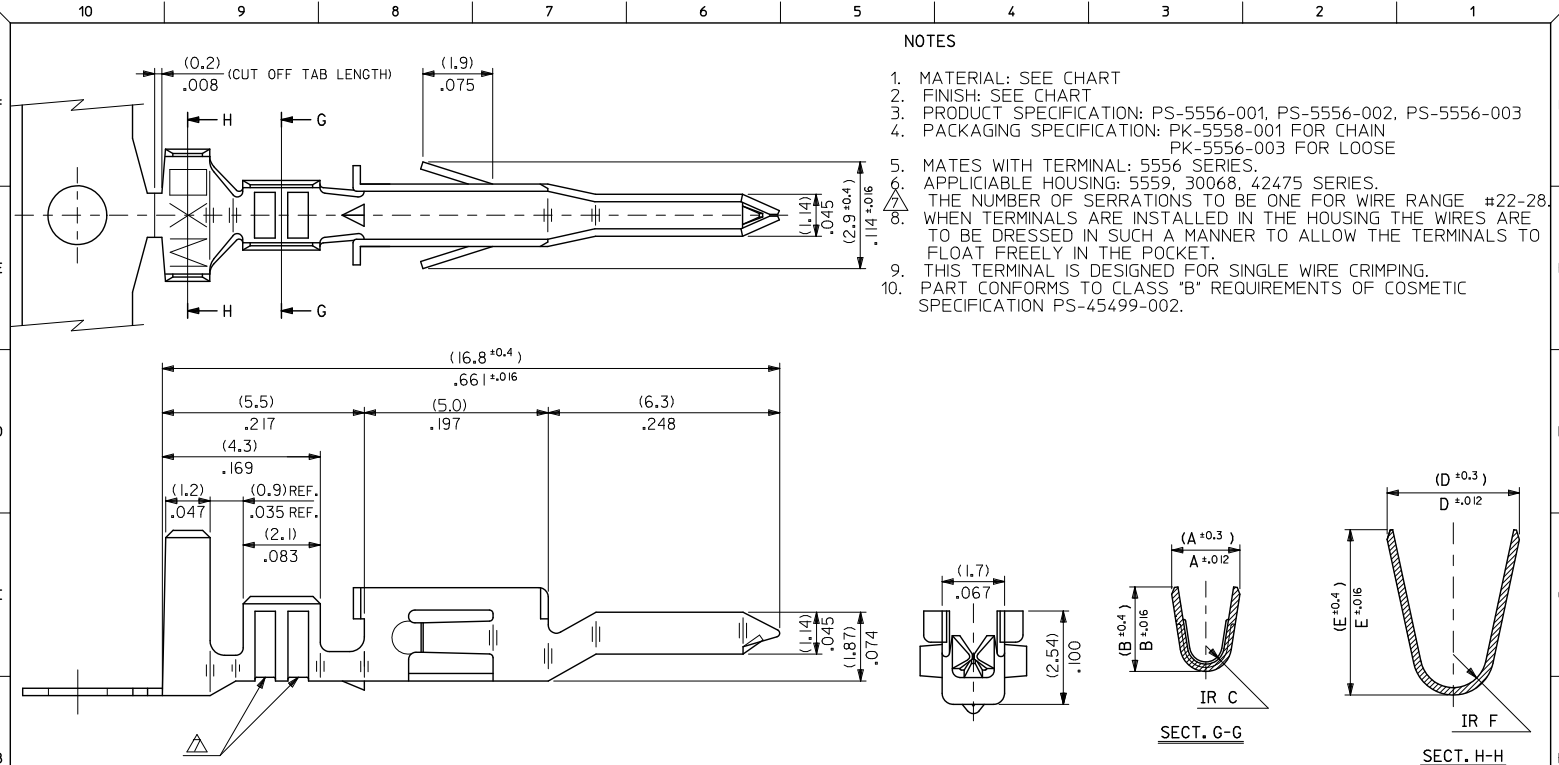
[Molex Connector Corporation](#)  
[0039000083](#)

For any questions, you can email us directly:

[sales@integrated-circuit.com](mailto:sales@integrated-circuit.com)

**NOTES**

1. MATERIAL: SEE CHART
2. FINISH: SEE CHART
3. PRODUCT SPECIFICATION: PS-5556-001, PS-5556-002, PS-5556-003
4. PACKAGING SPECIFICATION: PK-5558-001 FOR CHAIN  
PK-5556-003 FOR LOOSE
5. MATES WITH TERMINAL: 5556 SERIES.
6. APPLICABLE HOUSING: 5559, 30068, 42475 SERIES.
7. THE NUMBER OF SERRATIONS TO BE ONE FOR WIRE RANGE #22-28.
8. WHEN TERMINALS ARE INSTALLED IN THE HOUSING THE WIRES ARE TO BE DRESSED IN SUCH A MANNER TO ALLOW THE TERMINALS TO FLOAT FREELY IN THE POCKET.
9. THIS TERMINAL IS DESIGNED FOR SINGLE WIRE CRIMPING.
10. PART CONFORMS TO CLASS "B" REQUIREMENTS OF COSMETIC SPECIFICATION PS-45499-002.



<b>UPDATED NOTES</b> EC NO: LCP2010-2478 DRAWN: JAGUILAR 2010/04/06 CHKD: BELL 2010/04/09 APPR: SMITH 2010/04/09	QUALITY SYMBOLS ▽=0 ▽=0 ▽=0	GENERAL TOLERANCES (UNLESS SPECIFIED) <table border="1"> <thead> <tr> <th></th> <th>mm</th> <th>INCH</th> </tr> </thead> <tbody> <tr> <td>4 PLACES</td> <td>± .15</td> <td>± .005</td> </tr> <tr> <td>3 PLACES</td> <td>± .10</td> <td>± .003</td> </tr> <tr> <td>2 PLACES</td> <td>± .20</td> <td>± .008</td> </tr> <tr> <td>1 PLACE</td> <td>± .2</td> <td>± .008</td> </tr> </tbody> </table> ANGULAR ± 3°		mm	INCH	4 PLACES	± .15	± .005	3 PLACES	± .10	± .003	2 PLACES	± .20	± .008	1 PLACE	± .2	± .008	DIMENSION STYLE MM/IN	SCALE 10:1	DESIGN UNITS METRIC	THIRD ANGLE PROJECTION
		mm	INCH																		
	4 PLACES	± .15	± .005																		
	3 PLACES	± .10	± .003																		
2 PLACES	± .20	± .008																			
1 PLACE	± .2	± .008																			
DRAWN BY: H.HIRAMOTO CHECKED BY: S.KUNISHI APPROVED BY: M.MURAKUSHIMA	DATE: 1991/03/12 DATE: 1998/07/07 DATE: 1998/07/07	TITLE MINI-FIT JR OVERALL TIN MALE CRIMP TERMINAL	MATERIAL NO. SEE CHART	DOCUMENT NO. SD-5558****	SHEET NO. 1 OF 2	Molex MOLEX INCORPORATED															
DRAFT WHERE APPLICABLE MUST REMAIN WITHIN DIMENSIONS	SIZE B	THIS DRAWING CONTAINS INFORMATION THAT IS PROPRIETARY TO MOLEX INCORPORATED AND SHOULD NOT BE USED WITHOUT WRITTEN PERMISSION																			

10 9 8 7 6 5 4 3 2 1

TIN PLATED PHOSPHOR BRONZE	(0.9)	(4.5)	(3.6)	(0.6)	(2.7)	(2.3)	∅ (3.1)	#16	39-00-0084	5558 PBT3L	LOOSE
	.035	.177	.142	.024	.106	.091	.122		↑ -0083	↑ PBT3	CHAIN
	(0.6)	(2.3)	(2.3)	(0.4)	(1.65)	(1.8)	∅ (0.9-1.8)	#22-28	-0068	PBT2L	LOOSE
	.024	.091	.091	.016	.065	.071	∅ .035-.071		-0067	PBT2	CHAIN
TIN OVER COPPER PLATED BRASS	(0.9)	(4.5)	(3.6)	(0.6)	(2.7)	(2.3)	∅ (1.3-3.1)	#18-24	-0062	PBTL	LOOSE
	.035	.177	.142	.020	.091	.075	∅ .051-.122		-0061	PBT	CHAIN
	(0.9)	(4.5)	(3.6)	(0.6)	(2.7)	(2.3)	∅ (3.1)	#16	-0082	T3L	LOOSE
	.035	.177	.142	.024	.106	.091	.122		-0081	T3	CHAIN
MATERIAL	(0.6)	(2.3)	(2.3)	(0.4)	(1.65)	(1.8)	∅ (0.9-1.8)	#22-28	-0049	T2L	LOOSE
	.024	.091	.091	.016	.065	.071	∅ .035-.071		-0048	T2	CHAIN
	(0.9)	(4.5)	(3.6)	(0.5)	(2.3)	(1.9)	∅ (1.3-3.1)	#18-24	↓ -0041	↓ TL	LOOSE
	.035	.177	.142	.020	.091	.075	∅ .051-.122		39-00-0040	5558 T	CHAIN
MATERIAL	F	E	D	C	B	A	INS. RANGE	WIRE RANGE	EDP NO.	ENG. NO.	FORM

UPDATE TITLE BLOCK EC NO: UCP2010-2478 DRAWN: JAGUILAR 2010/04/06 CHECK: BELL 2010/04/09 APPROV: SMITH 2010/04/09	QUALITY SYMBOLS ∇=0 ∇=0 ∇=0	GENERAL TOLERANCES (UNLESS SPECIFIED)		DIMENSION STYLE		SCALE	DESIGN UNITS	THIRD ANGLE PROJECTION	
				MM/IN		10:1	METRIC		
		4 PLACES ± .008	± .008	DRAWN BY	DATE	TITLE			
		3 PLACES ± .010	± .010	H.HIRAMOTO	1991/03/12	MINI-FIT JR OVERALL TIN MALE CRIMP TERMINAL			
2 PLACES ± .015	± .015	CHECKED BY	DATE	MOLEX INCORPORATED					
1 PLACE ± .020	± .020	S.KUNISHI	1998/07/07	SD-5558****					
ANGULAR ± 3°		APPROVED BY	DATE	SHEET NO.					
DRAFT WHERE APPLICABLE MUST REMAIN WITHIN DIMENSIONS		F.M.HUKUSHIMA	2010/04/09	2 OF 2					
		MATERIAL NO.	SEE CHART	THIS DRAWING CONTAINS INFORMATION THAT IS PROPRIETARY TO MOLEX INCORPORATED AND SHOULD NOT BE USED WITHOUT WRITTEN PERMISSION					
		SIZE	B						

9 8 7 6 5 4 3 2 1