

Excellent Integrated System Limited

Stocking Distributor

Click to view price, real time Inventory, Delivery & Lifecycle Information:

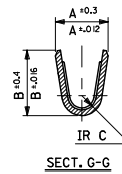
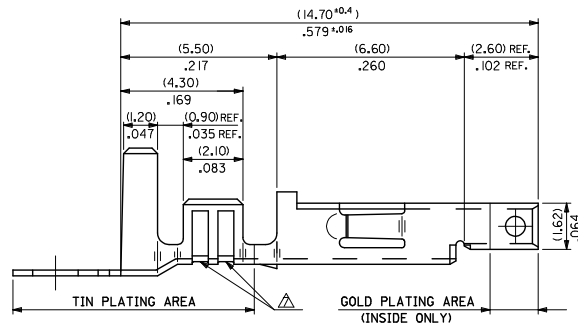
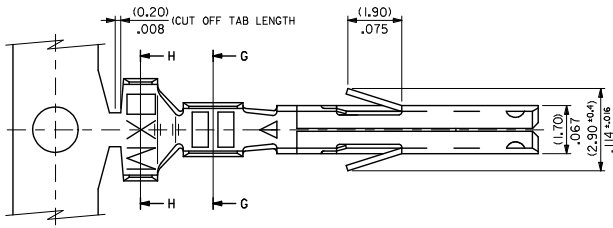
[Molex Connector Corporation](#)
[0039000090](#)

For any questions, you can email us directly:

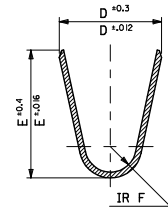
sales@integrated-circuit.com

NOTES

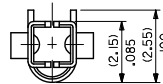
1. MATERIAL: SEE CHART.
2. FINISH: SEE CHART.
3. PRODUCT SPECIFICATION: PS-5556-001, PS-5556-002, PS-5556-003.
4. PACKAGING SPECIFICATION: PK-5556-001 FOR CHAIN TERMINALS.
PK-5556-003 FOR LOOSE TERMINALS.
5. MATES WITH: 5558, 5566, 5569, 30069, 30070, 42440, 42404, 43879, 43810, 44068.
6. APPLICABLE HOUSING: 5557, 30067, 44516, OR 42474.
7. THE NUMBER OF SERRATIONS TO BE ONE FOR WIRE RANGE #22-28.
8. WHEN TERMINALS ARE INSTALLED IN THE HOUSING THE WIRES ARE TO BE DRESSED IN SUCH A MANNER TO ALLOW THE TERMINALS TO FLOAT FREELY IN THE POCKET.
9. THIS TERMINAL IS DESIGNED FOR SINGLE WIRE CRIMPING.
10. PART CONFORMS TO CLASS "B" REQUIREMENTS OF COSMETIC SPECIFICATION PS-45499-002.



SECT. G-G



SECT. H-H



ADD PHOS BRONZE DEC NO: UCP2014-3295 DRAWING DATE: 2014/02/11 CHKD: BELL APPR: SMITH 2014/03/21	QUALITY SYMBOLS 0 0 0	GENERAL TOLERANCES (UNLESS SPECIFIED)		DIMENSION STYLE MM/IN		SCALE	DESIGN UNITS	THIRD ANGLE PROJECTION
			mm	INCH	DRAWN BY	DATE	METRIC MINI FIT JR SELECT GOLD FEMALE CRIMP TERMINAL molex SD-5556-006 SHEET NO. 1 OF 2	THIS DRAWING CONTAINS INFORMATION THAT IS PROPRIETARY TO MOLEX INCORPORATED AND SHOULD NOT BE USED WITHOUT WRITTEN PERMISSION
		4 PLACES	± .010	± .010	HIRAMOT	'91/05/18		
		3 PLACES	± .010	± .010	CHECKED BY	DATE		
2 PLACES	± 0.25	± .010	MFUKUSHI	'98/11/09				
1 PLACE	± 0.25	± .010	APPROVED BY	DATE				
0 PLACE	± .010	± .010	FSMITH	2013/01/11				
ANGULAR ± 3° DRAFT WHERE APPLICABLE MUST REMAIN WITHIN DIMENSIONS		SEE CHART		MATERIAL NO.		DOCUMENT NO.		SIZE C

		(0.9)	(4.5)	(3.6)	(0.6)	(2.7)	(2.3)	Ø (3.1)	#16	↑ -0186	PBGS3PL	LOOSE
PHOS BRONZE	SELECTIVE GOLD (0.76µm)/30m. IN. MIN. AND SELECTIVE TIN (2.54µm)/100m.I. MIN. OVER NICKEL (1.27µm)/50m. IN. MIN. OVERALL	.035	.177	.142	.024	.106	.091	.122 MAX.	#16	↑ -0185	PBGS3P	CHAIN
		(0.6)	(2.3)	(2.3)	(0.4)	(1.65)	(1.8)	Ø (0.9-1.8)		#22-28	-0184	PBGS2PL
		.024	.091	.091	.016	.065	.071	Ø .035-.071	#18-24	-0183	PBGS2P	CHAIN
		(0.9)	(4.5)	(3.6)	(0.5)	(2.3)	(1.9)	Ø (1.3-3.1)		#18-24	↓ -0182	PBGSPL
		.035	.177	.142	.020	.091	.075	Ø .051-.122	#16	3900-0181	PBGSP	CHAIN
		(0.9)	(4.5)	(3.6)	(0.6)	(2.7)	(2.3)	Ø (3.1)		#16	↑ -0142	GS9L
BRASS	SELECTIVE GOLD (1.27µm)/50m. IN. MIN. AND SELECTIVE TIN (2.54 µm)/ 100 m. IN. MIN. OVER NICKEL (1.27µm)/50m. IN. MIN. OVERALL	.035	.177	.142	.024	.106	.091	.122 MAX.	#22-28	↓ -0141	GS9	CHAIN
		(0.6)	(2.3)	(2.3)	(0.4)	(1.65)	(1.8)	Ø (0.9-1.8)		#22-28	↓ -0140	GS8L
		.024	.091	.091	.016	.065	.071	Ø .035-.071	#18-24	39-00-0139	GS8	CHAIN
		(0.9)	(4.5)	(3.6)	(0.5)	(2.3)	(1.9)	Ø (1.3-3.1)		#18-24	40-13-0852	GS7L
		.035	.177	.142	.020	.091	.075	Ø .051-.122	#16	40-13-0851	GS7	CHAIN
		(0.9)	(4.5)	(3.6)	(0.6)	(2.7)	(2.3)	Ø (3.1)		#16	39-00-0094	GS6L
	SELECTIVE GOLD (0.38µm)/15m. IN. MIN. AND SELECTIVE TIN (2.54 µm)/ 100 m. IN. MIN. OVER NICKEL (1.27µm)/50m. IN. MIN. OVERALL	.035	.177	.142	.024	.106	.091	.122 MAX.	#22-28	↑ -0093	GS6	CHAIN
		(0.6)	(2.3)	(2.3)	(0.4)	(1.65)	(1.8)	Ø (0.9-1.8)		#22-28	-0092	GS5L
		.024	.091	.091	.016	.065	.071	Ø .035-.071	#18-24	-0091	GS5	CHAIN
		(0.9)	(4.5)	(3.6)	(0.5)	(2.3)	(1.9)	Ø (1.3-3.1)		#18-24	-0074	GS4L
		.035	.177	.142	.020	.091	.075	Ø .051-.122	#16	-0073	GS4	CHAIN
		(0.9)	(4.5)	(3.6)	(0.6)	(2.7)	(2.3)	Ø (3.1)		#16	-0090	GS3L
	SELECTIVE GOLD (0.76µm)/30m. IN. MIN. AND SELECTIVE TIN (2.54µm)/100m.I. MIN. OVER NICKEL (1.27µm)/50m. IN. MIN. OVERALL	.035	.177	.142	.024	.106	.091	.122 MAX.	#22-28	-0089	GS3	CHAIN
		(0.6)	(2.3)	(2.3)	(0.4)	(1.65)	(1.8)	Ø (0.9-1.8)		#22-28	-0435	GS2L7F
		.024	.091	.091	.016	.065	.071	Ø .035-.071	#18-24	-0434	GS27F	CHAIN
		(0.9)	(4.5)	(3.6)	(0.5)	(2.3)	(1.9)	Ø (1.3-3.1)		#18-24	↓ -0429	↓ GSL7F
		.035	.177	.142	.020	.091	.075	Ø .051-.122	#16	39-00-0428	5556 GS7F	CHAIN
		(0.9)	(4.5)	(3.6)	(0.6)	(2.7)	(2.3)	Ø (3.1)		#16		
MATERIAL	FINISH	F	E	D	C	B	A	INS. RANGE	WIRE RANGE	EDP NO.	ENG. NO.	FORM

SEE SHEET 1 E.C. NO: ICP2014-3293 GJ CHKO: BELL APPROF: SMITH REV	QUALITY SYMBOLS	GENERAL TOLERANCES (UNLESS SPECIFIED)		DIMENSION STYLE		SCALE	DESIGN UNITS	THIRD ANGLE PROJECTION
	▽=0	mm	INCH	MM/IN		10:1	METRIC	
	▽=0	4 PLACES ± --- ± ---	3 PLACES ± --- ± .010	DRAWN BY	DATE	TITLE		
	▽=0	1 PLACE ± 0.25 ± ---	0 PLACE ± --- ± ---	HI RAMOT	'91/05/18	MINI FIT JR SELECT GOLD FEMALE CRIMP TERMINAL		
	ANGULAR ± 3 °	DRAFT WHERE APPLICABLE MUST REMAIN WITHIN DIMENSIONS		CHECKED BY	DATE	molex		
				MFUKUSHI	'98/11/09	SD-5556-006		
				APPROVED BY	DATE	SHEET NO.		
				FSMITH	2013/01/11	2 OF 2		
				MATERIAL NO.	DOCUMENT NO.	THIS DRAWING CONTAINS INFORMATION THAT IS PROPRIETARY TO MOLEX INCORPORATED AND SHOULD NOT BE USED WITHOUT WRITTEN PERMISSION		
				SEE CHART				