

## Excellent Integrated System Limited

Stocking Distributor

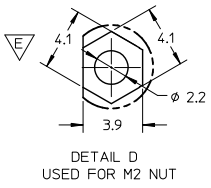
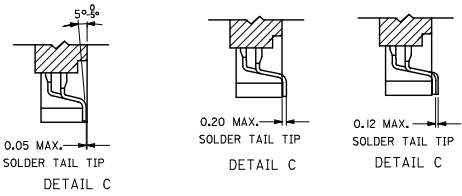
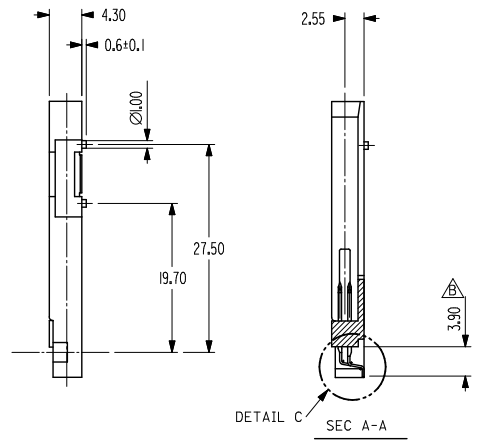
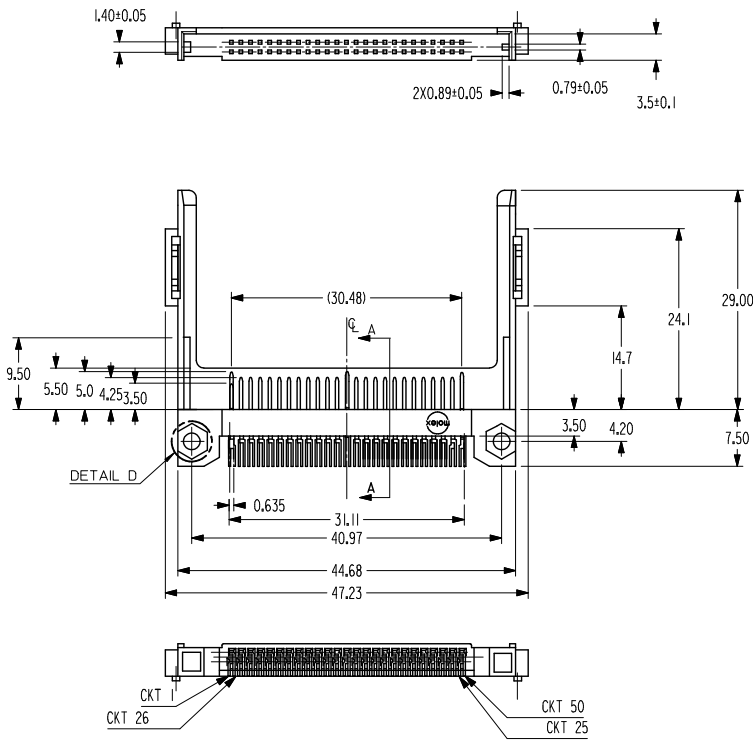
Click to view price, real time Inventory, Delivery & Lifecycle Information:

[Molex Connector Corporation](#)  
[0671550002](#)

For any questions, you can email us directly:

[sales@integrated-circuit.com](mailto:sales@integrated-circuit.com)

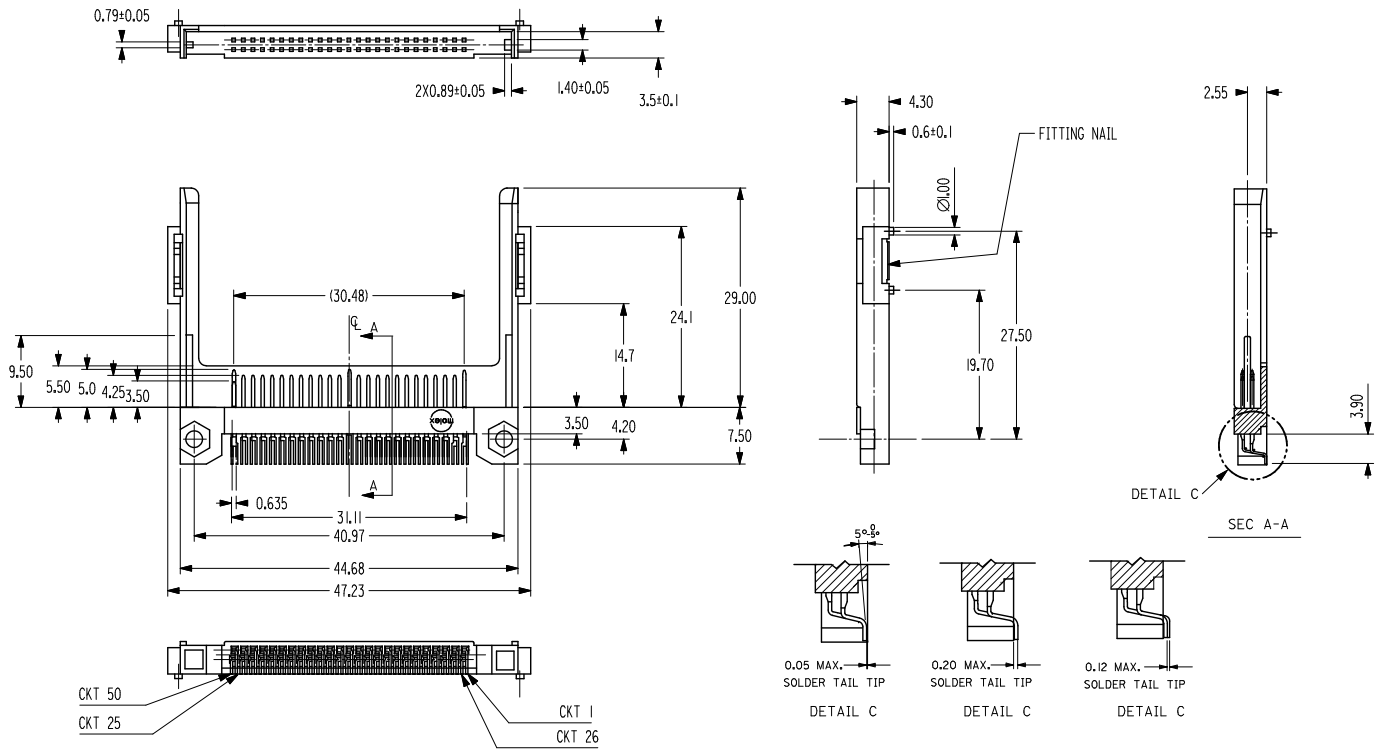
10 9 8 7 6 5 4 3 2 1



<b>OBSELETE PART</b> EC NO: SH2011-0364 TIDRMAX/SONG CHKD: APPR: RZHANG 2011/06/10 2011/06/14	QUALITY SYMBOLS	GENERAL TOLERANCES (UNLESS SPECIFIED)	DIMENSION STYLE	SCALE	DESIGN UNITS	THIRD ANGLE PROJECTION	
	$\sqrt{\text{R}}=0$ $\sqrt{\text{S}}=0$ $\sqrt{\text{A}}=0$	mm INCH 4 PLACES ± --- ± --- 3 PLACES ± --- ± --- 2 PLACES ± 0.15 ± --- 1 PLACE ± 0.15 ± --- ANGULAR ± 2°	MM ONLY DRAWN BY DATE JACK LIN 1998/08/06 CHECKED BY DATE WALLY WA 1998/08/06 APPROVED BY DATE MEGA LIN 1998/08/06	2:1	METRIC	50 CIRCUITS CF LOW PROFILE HEADER MOLEX INCORPORATED MATERIAL NO. 67155-0001 DOCUMENT NO. SD-67155-001	SHEET NO. 1 OF 3
	DRAFT WHERE APPLICABLE MUST REMAIN WITHIN DIMENSIONS						THIS DRAWING CONTAINS INFORMATION THAT IS PROPRIETARY TO MOLEX INCORPORATED AND SHOULD NOT BE USED WITHOUT WRITTEN PERMISSION
	SIZE 3						

9 8 7 6 5 4 3 2 1

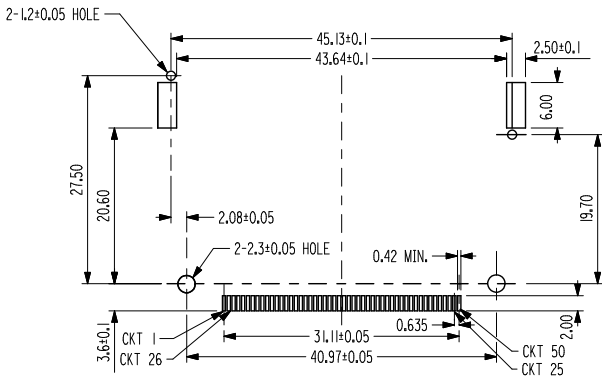
10 9 8 7 6 5 4 3 2 1



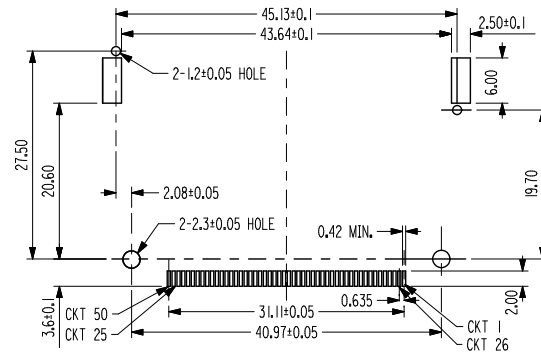
SEE SHEET 1 EC NO: SH2011-0364 DRAWN BY: J. SONG CHKD: APPR: R. ZHANG 2011/06/10 2011/06/14	QUALITY SYMBOLS	GENERAL TOLERANCES (UNLESS SPECIFIED)	DIMENSION STYLE	SCALE	DESIGN UNITS	THIRD ANGLE PROJECTION
	$\nabla=0$ $\nabla=0$ $\nabla=0$	mm INCH 4 PLACES ± --- ± --- 3 PLACES ± --- ± --- 2 PLACES ± 0.15 ± --- 1 PLACE ± 0.15 ± --- ANGULAR ± 2°	MM ONLY	2:1	METRIC	
	DRAFT WHERE APPLICABLE MUST REMAIN WITHIN DIMENSIONS	DRAWN BY: JACK LIN CHECKED BY: WALLY WA APPROVED BY: MEGA LIN DATE: 1998/08/06 DATE: 1998/08/06 DATE: 1998/08/06	TITLE			50 CIRCUITS CF LOW PROFILE HEADER
		MATERIAL NO. 67155-0002 SIZE A3 THIS DRAWING CONTAINS INFORMATION THAT IS PROPRIETARY TO MOLEX INCORPORATED AND SHOULD NOT BE USED WITHOUT WRITTEN PERMISSION	MOLEX INCORPORATED DOCUMENT NO. SD-67155-001 SHEET NO. 2 OF 3			

9 8 7 6 5 4 3 2 1

10 9 8 7 6 5 4 3 2 1



RECOMMENDED PCB LAYOUT  
REVERSE TYPE



RECOMMENDED PCB LAYOUT  
STANDARD TYPE

NOTES:

1. MATERIAL : HOUSING: HIGH TEMP PLASTIC, UL94 V-0, COLOR: IVORY  
TERMINAL: COPPER ALLOY
2. PLATING: CONTACT AREA: AU OVER PD-NI  
SOLDERING TAIL: TIN  
NICKEL OVERALL  
FITTING NAIL: TIN  
NICKEL OVERALL
3. RECOMMENDED PCB THICKNESS: 0.8MM
4. THE COPLANARITY OF SOLDER TAILS SHOULD BE WITHIN 0.12 MM
5. FOR PRODUCT SPECIFICATION: REFER TO PS-67155-003

PART NUMBER	DISCRIPTION	PACKAGING
67155-0001	REVERSE TYPE	TYAY
67155-0002	STANDARD TYPE	PK-67155-001
67155-0004	STANDARD TYPE WITH MYLAR	TAPE & REEL PK-67155-002

SEE SHEET1 EC NO: SH2011-0364 TIDRINXJ.SONG CHKD: APPR:RZHANG 2011/06/10 2011/06/14	QUALITY SYMBOLS	GENERAL TOLERANCES (UNLESS SPECIFIED)	DIMENSION STYLE	SCALE	DESIGN UNITS	THIRD ANGLE PROJECTION																		
	$\sqrt{\text{A}}=0$ $\sqrt{\text{B}}=0$ $\sqrt{\text{C}}=0$	<table border="1"> <tr> <th></th> <th>mm</th> <th>INCH</th> </tr> <tr> <td>4 PLACES</td> <td>±---</td> <td>±---</td> </tr> <tr> <td>3 PLACES</td> <td>±---</td> <td>±---</td> </tr> <tr> <td>2 PLACES</td> <td>±0.15</td> <td>±---</td> </tr> <tr> <td>1 PLACE</td> <td>±0.15</td> <td>±---</td> </tr> <tr> <td colspan="3">ANGULAR ± 2 °</td> </tr> </table>		mm	INCH	4 PLACES	±---	±---	3 PLACES	±---	±---	2 PLACES	±0.15	±---	1 PLACE	±0.15	±---	ANGULAR ± 2 °			MM ONLY DRAWN BY: JACK L IN DATE: 1998/08/06 CHECKED BY: WALLY WA DATE: 1998/08/06 APPROVED BY: MEGA LIN DATE: 1998/08/06	2:1	METRIC	TITLE: 50 CIRCUITS CF LOW PROFILE HEADER MOLEX INCORPORATED DOCUMENT NO. SD-67155-001
		mm	INCH																					
	4 PLACES	±---	±---																					
3 PLACES	±---	±---																						
2 PLACES	±0.15	±---																						
1 PLACE	±0.15	±---																						
ANGULAR ± 2 °																								
DRAFT WHERE APPLICABLE MUST REMAIN WITHIN DIMENSIONS	SEE TABLE	MATERIAL NO.				SHEET NO. 3 OF 3																		
		THIS DRAWING CONTAINS INFORMATION THAT IS PROPRIETARY TO MOLEX INCORPORATED AND SHOULD NOT BE USED WITHOUT WRITTEN PERMISSION																						

9 8 7 6 5 4 3 2 1