

Excellent Integrated System Limited

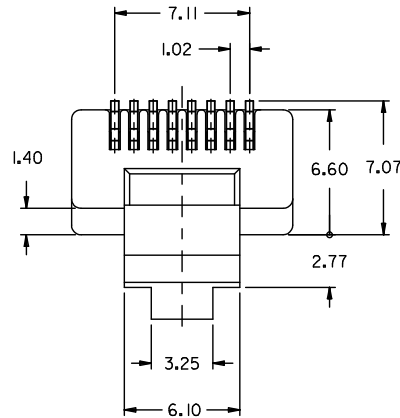
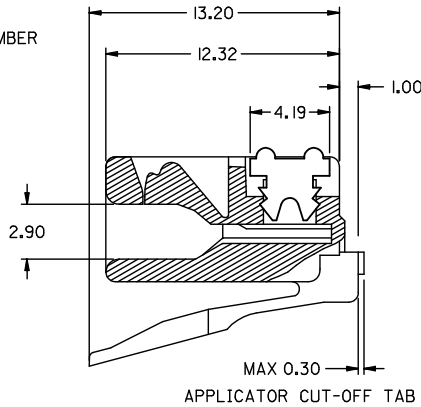
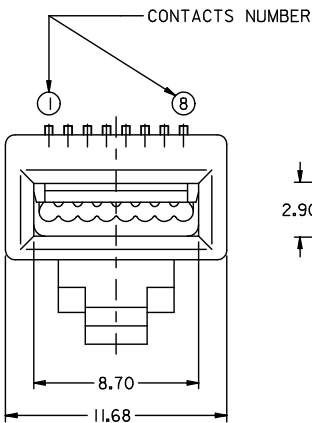
Stocking Distributor

Click to view price, real time Inventory, Delivery & Lifecycle Information:

[Molex Connector Corporation](#)
[90075-0139](#)

For any questions, you can email us directly:
sales@integrated-circuit.com

10 9 8 7 6 5 4 3 2 1



NOTES:

- 1- MATERIAL:
HOUSING: POLYCARBONATE CLEAR.
TERMINAL: 0.38 THICK PHOSPHOR BRONZE.
PLATING: 1.27 MIN. GOLD IN CONTACT AREA
0.00127 MIN. PURE TIN IN PIERCE AREA BOTH
OVER 0.00127 MIN. NICKEL.
- 2- PRODUCT INTENDED TO TERMINATE FLAT OVAL CABLE
HAVING
0.94 Ø MAXI OVER CONDUCTORS INSULATION.
- 3- PRODUCT SPECIFICATION: PS-90075
- 4- APPLICATION SPECIFICATION: AS-90075.

CKTS	NUMBER OF LOADED CONTACTS	LOOSE PIECE	
		PART NUMBER	TOOLED
8	8	90075-0141	YES

2	N
1	NI

REMOVED PART 'S EC. NO.: E2012-0005 DRAWN: JOCOMOR 2011/08/16 CHKD: APPR: STGRFFIN 2013/01/18	QUALITY SYMBOLS	GENERAL TOLERANCES (UNLESS SPECIFIED)	DIMENSION STYLE	SCALE	DESIGN UNITS	THIRD ANGLE PROJECTION
	▽=0	mm INCH	MM/IN	5:1	METRIC	
	▽=0	4 PLACES ± --- ± --- 3 PLACES ± --- ± .010 2 PLACES ± 0.25 ± .014 1 PLACE ± 0.35 ± --- ANGULAR ± 2 °	DRAWN BY DATE CHECKED BY DATE APPROVED BY DATE	TITLE		
		DRAFT WHERE APPLICABLE MUST REMAIN WITHIN DIMENSIONS	MATERIAL NO. SEE CHART	MOLEX INCORPORATED	DOCUMENT NO. SDA-90075	SHEET NO. 1 OF 2

9 8 7 6 5 4 3 2 1