

Excellent Integrated System Limited

Stocking Distributor

Click to view price, real time Inventory, Delivery & Lifecycle Information:

[Phoenix Contact](#)
[1836341](#)

For any questions, you can email us directly:

sales@integrated-circuit.com

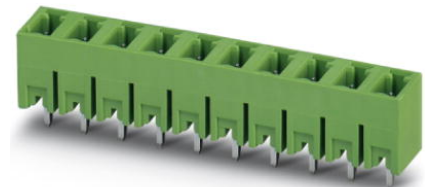


Extract from the online catalog

MCV 1,5/ 7-G-5,08

Order No.: 1836341

The figure shows a 10-position version of the product



<http://eshop.phoenixcontact.de/phoenix/treeViewClick.do?UID=1836341>

Header, Nominal current: 8 A, Nom. voltage: 250 V, Pitch: 5.08 mm, Number of positions: 7, Color: green, Assembly: Soldering

Commercial data	
EAN	4017918111205
Pack	50 pcs.
Customs tariff	85366990
Weight/Piece	0.00254 KG
Catalog page information	Page 197 (CC-2009)

Product notes

WEEE/RoHS-compliant since:
01/01/2003



<http://www.download.phoenixcontact.com>
Please note that the data given here has been taken from the online catalog. For comprehensive information and data, please refer to the user documentation. The General Terms and Conditions of Use apply to Internet downloads.

Technical data

Dimensions / positions	
Length	7.25 mm
Pitch	5.08 mm
Dimension a	30.48 mm
Number of positions	7
Pin dimensions	0,8 x 0,8 mm

MCV 1,5/ 7-G-5,08 Order No.: 1836341

<http://eshop.phoenixcontact.de/phoenix/treeViewClick.do?UID=1836341>

Hole diameter	1.2 mm
Technical data	
Insulating material group	IIIa
Rated surge voltage (III/3)	4 kV
Rated surge voltage (III/2)	4 kV
Rated surge voltage (II/2)	4 kV
Rated voltage (III/2)	320 V
Rated voltage (II/2)	400 V
Connection in acc. with standard	EN-VDE
Nominal current I_N	8 A
Nominal voltage U_N	250 V
Maximum load current	8 A
Insulating material	PBT
Inflammability class acc. to UL 94	V0

Certificates / Approvals



Certification

CB, CSA, CUL, GOST, UL, VDE-PZI

CSA

Nominal voltage U_N	300 V
Nominal current I_N	8 A

CUL

Nominal voltage U_N	300 V
Nominal current I_N	8 A

UL

Nominal voltage U_N	300 V
Nominal current I_N	8 A

MCV 1,5/ 7-G-5,08 Order No.: 1836341

<http://eshop.phoenixcontact.de/phoenix/treeViewClick.do?UID=1836341>

Accessories

Item	Designation	Description
Marking		
0804280	SK 5,08/2,8:FORTL.ZAHLEN	Marker card, printed horizontally, self-adhesive, 10-section marker strip, 14 identical decades marked 1-10, 11-20 etc. up to 91-(99)100, sufficient for 140 terminal blocks

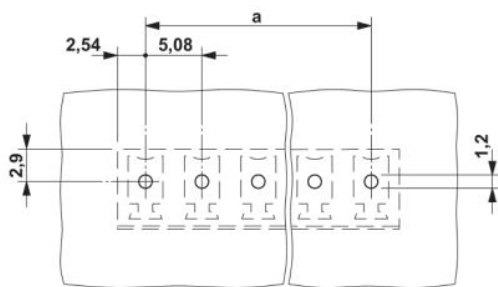
Plug/Adapter		
1734634	CP-MSTB	Keying profile, is inserted into the slot on the plug or inverted header, red insulating material

Additional products

Item	Designation	Description
General		
1836121	MC 1,5/ 7-ST-5,08	Plug component, Nominal current: 8 A, Nom. voltage: 250 V, Pitch: 5.08 mm, Number of positions: 7, Connection type: Screw connection, Color: green
1900824	MC 1,5/ 7-ST1-5,08	Plug component, Nominal current: 8 A, Nom. voltage: 250 V, Pitch: 5.08 mm, Number of positions: 7, Connection type: Screw connection, Color: green

Diagrams/Drawings

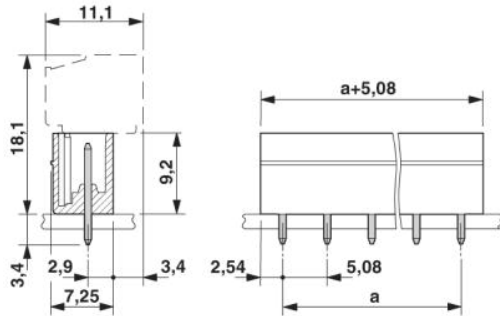
Drilling plan/solder pad geometry



MCV 1,5/ 7-G-5,08 Order No.: 1836341

<http://eshop.phoenixcontact.de/phoenix/treeViewClick.do?UID=1836341>

Dimensioned drawing



MCV 1,5/ 7-G-5,08 Order No.: 1836341

<http://eshop.phoenixcontact.de/phoenix/treeViewClick.do?UID=1836341>

Address

PHOENIX CONTACT Deutschland GmbH
Flachsmarktstr. 8
32825 Blomberg, Germany
Phone +49 5235 3 12000
Fax +49 5235 3 41200
<http://www.phoenixcontact.de>



© 2010 Phoenix Contact
Technical modifications reserved;