

Excellent Integrated System Limited

Stocking Distributor

Click to view price, real time Inventory, Delivery & Lifecycle Information:

[Mallory Sonalert Products](#)
[ACC03](#)

For any questions, you can email us directly:

sales@integrated-circuit.com

MALLORY

Mallory Sonalert Products Inc.

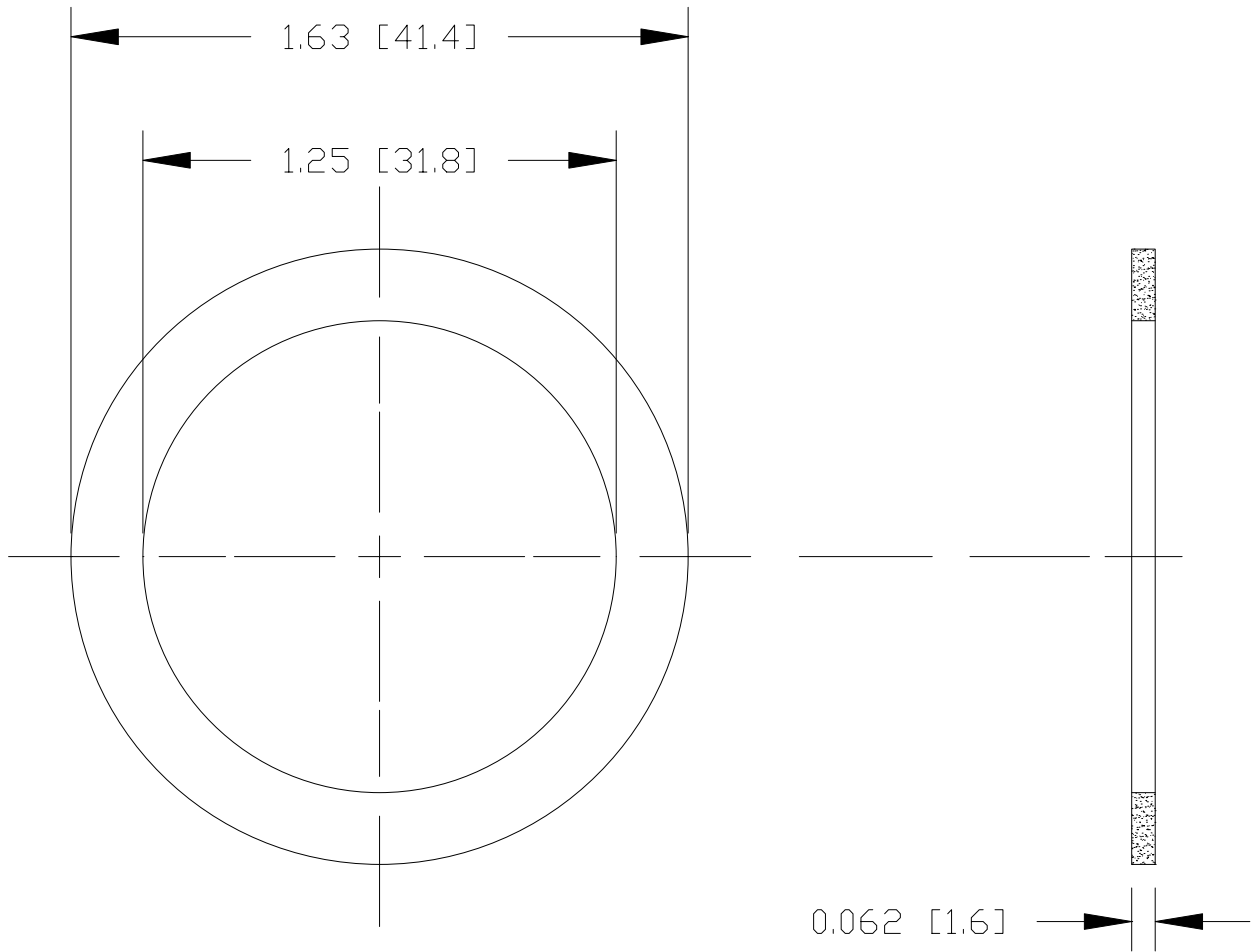
Part # **ACC03**

Sonalert[®] Accessory Drawing

Revision **B**

Neoprene Gasket

Helps seal panel hole to achieve NEMA Type 3R, 4X, & 12 application requirements



Assembly Procedure

Remove knurled nut and assemble ACC03 gasket onto threaded neck of classic Sonalert[®]. Place threaded neck through panel hole and secure with mounting nut. Hand tighten only.
 Material: Neoprene/EPDM/SBR Economy Blend 4216-S.

UL50, C22.2 No.94, NEMA Type 3R, 4X, & 12, and IP66 approved, RoHS compliant, Gasket.