

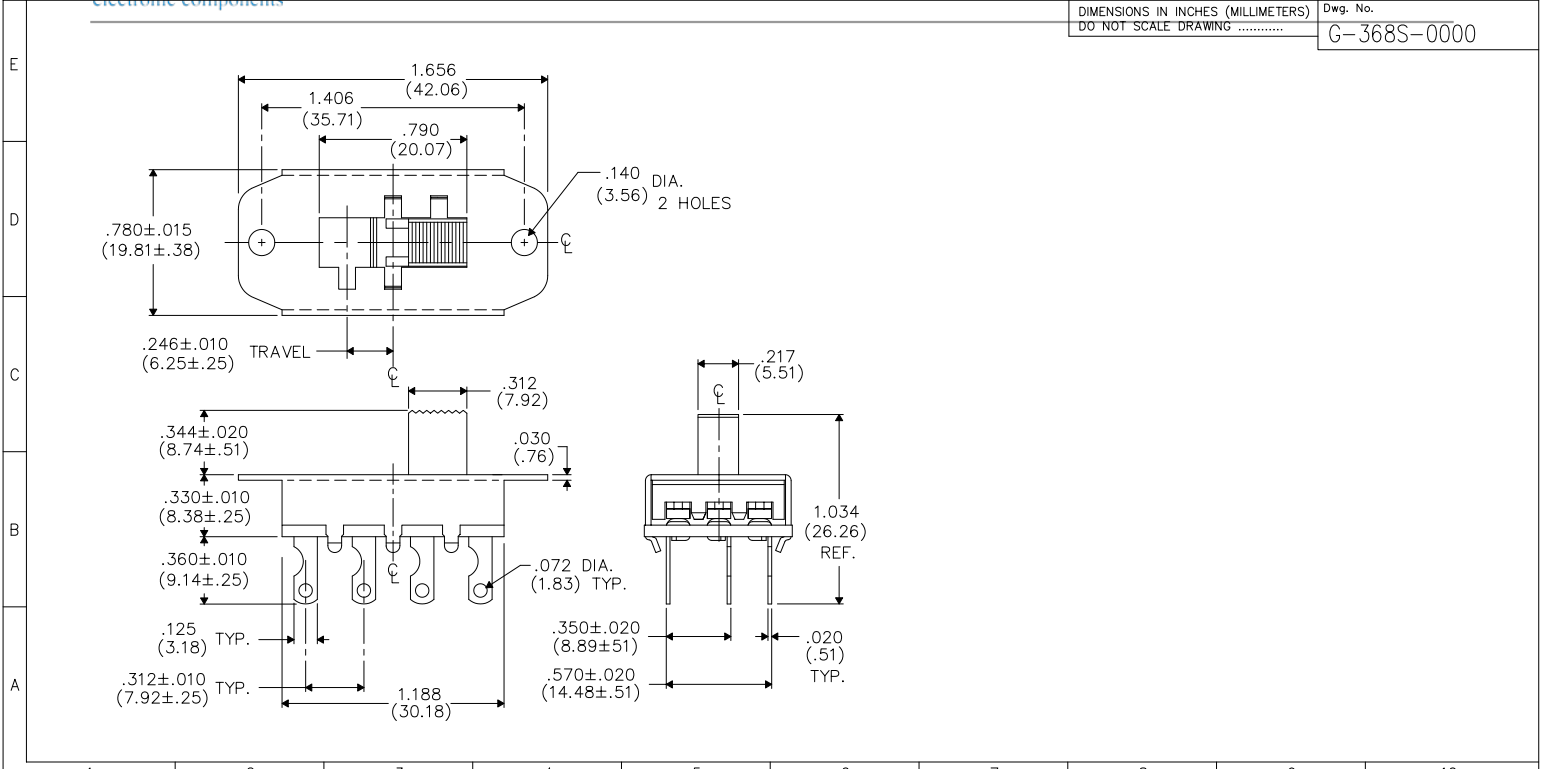
Excellent Integrated System Limited

Stocking Distributor

Click to view price, real time Inventory, Delivery & Lifecycle Information:

[CW Industries](#)
[G-368S-0000](#)

For any questions, you can email us directly:
sales@integrated-circuit.com



1	2	3	4	5	6	7	8	9	10
---	---	---	---	---	---	---	---	---	----

FORM-B4	REVISIONS REDRAWN, NEW FORMAT .350 ± .020 WAS .360 ± .020 DCW 3-04-2002 3-11-2002	Southampton, Pa. 18966 TOLERANCES UNLESS OTHERWISE SPECIFIED 2 Place Decimal ±.010 METRIC 3 Place Decimal ±.005 1 Place Dec. ±.25mm Angles ±1° 2 Place Dec. ±.13mm	Title: SLIDE SWITCH 3 P. - 3 POS.	
			Made for: CW IND. Drawn by: DCW 3-04-2002 Checked by: GG 3-11-2002 Approval: BF 3-11-2002	Division: SWITCH
			Dwg. No. G-368S-0000	