

## Excellent Integrated System Limited

Stocking Distributor

Click to view price, real time Inventory, Delivery & Lifecycle Information:

[Eaton \(formerly Cooper Bussmann\)  
4164-FR](#)

For any questions, you can email us directly:

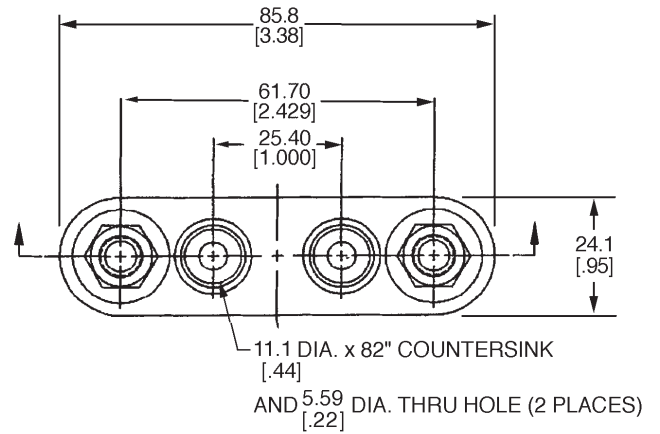
[sales@integrated-circuit.com](mailto:sales@integrated-circuit.com)

# Limiter Fuseblocks For ANN & ANL

# 4164 & 4164-FR



### Dimensional Data

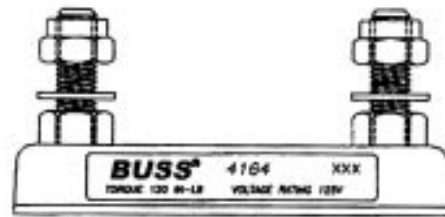


**Catalog Symbol:** 4164 AND 4164-FR

**Limiter Fuseblocks**

125V

- 4164 furnished with locknuts.
- 4164-FR furnished with free running nuts.
- Single-pole, stud terminal.
- Molded thermoplastic base.
- Two countersunk mounting holes on 1-inch centers for No. 10 flat head screws.
- The 4164-FR is not recommended for applications with vibrations.
- Tightening torque is 120 In-Lbs.



### No. 4164 and 4164-FR



Length - 3.38".

Width - 0.95".

Height - 1.62".

Studs center to center 2.43".

This bulletin is intended to clearly present comprehensive product data and provide technical information that will help the end user with design applications. Bussmann reserves the right, without notice, to change design or construction of any products and to discontinue or limit distribution of any products. Bussmann also reserves the right to change or update, without notice, any technical information contained in this bulletin. Once a product has been selected, it should be tested by the user in all possible applications.