

## Excellent Integrated System Limited

Stocking Distributor

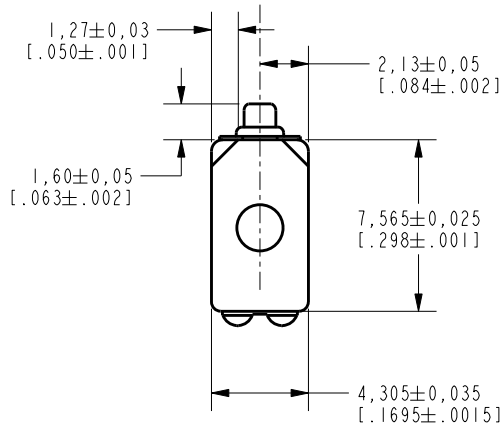
Click to view price, real time Inventory, Delivery & Lifecycle Information:

[Knowles](#)  
[EC-23097-000](#)

For any questions, you can email us directly:  
[sales@integrated-circuit.com](mailto:sales@integrated-circuit.com)

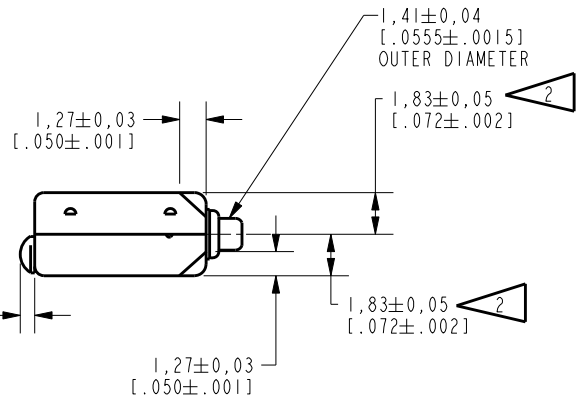
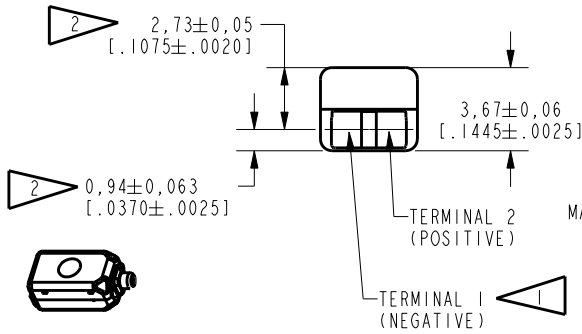
**EC-23097-000**

SHT 1.1



NOTES:

- 1 A POSITIVE GOING VOLTAGE AT TERMINAL 2, RELATIVE TO TERMINAL 1, CAUSES A DECREASE IN PRESSURE AT THE SOUND OUTLET.
- 2 LOCATED FROM TWO SURFACES FOR CUSTOMER CONVENIENCE. ONLY APPLICABLE FROM ONE SURFACE, NOT TO BE USED TOGETHER.



SCALE 2:1  
NOMINAL WEIGHT  
.42 GRAMS

DIMENSIONS IN MILLIMETERS [INCHES]

Revision	C.O. #	Implementation Date	RELEASE LEVEL	REVISION
C	C10115009	7-11-13	Active	C
B	C10106330	9-3-07		
A	C10103434	11-15-05		

**KNOWLES ELECTRONICS**  
ITASCA, ILLINOIS U.S.A.

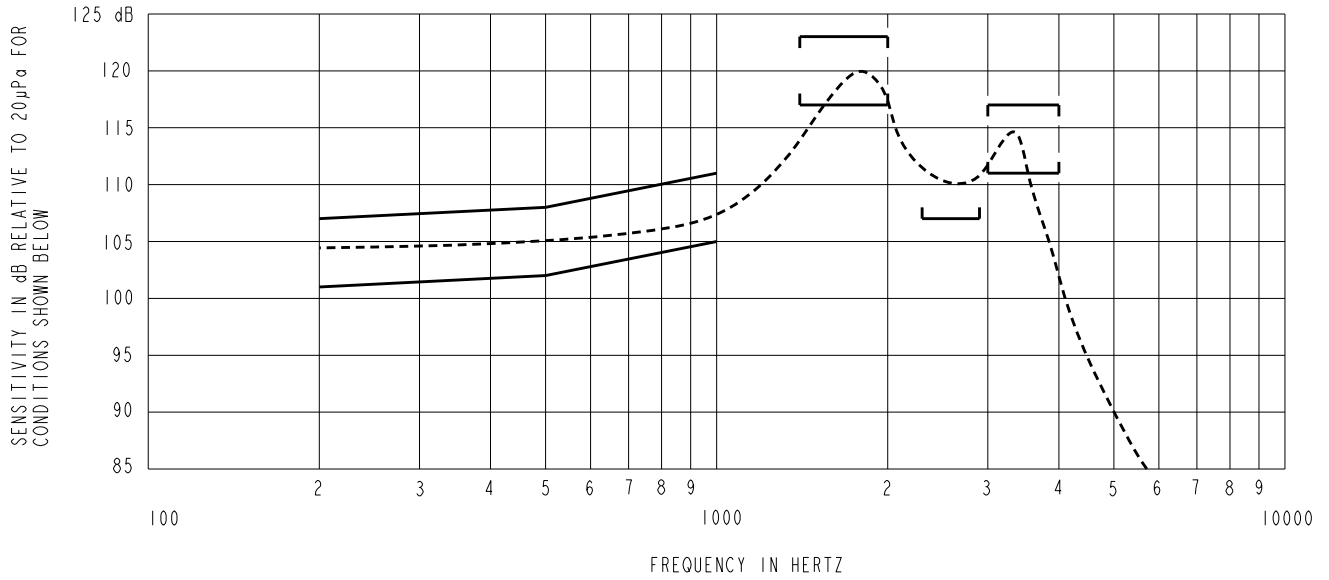
SCALE:	4:1		DR. BY	DATE
	DO NOT SCALE DRAWING		CRG	11-15-05
TITLE:	RECEIVER	EC-23097-000	CK. BY	DATE
	OUTLINE DRAWING	SHT 1.1	GJP	11-22-05
			APP. BY	DATE
			GJP	11-22-05

KE111ASIZE.FRM

Rev: B

NO DAMPING

EC-23097-000  
SHEET 2.1



NOTES:

1. MEASUREMENTS MADE USING 10mm (.394") OF 1mm (.039") ID TUBE CONNECTED TO A SIMULATED ANSI S3.7 TYPE HA-3 COUPLER . (IEC 60318-5).

2. SENSITIVITY

FREQUENCY	MIN.	MAX.
200	101.0	107.0
500	102.0	108.0
1000	105.0	111.0
1400-2000	117.0	123.0
2300-2900	107.0	---
3000-4000	111.0	117.0

- 3. RESPONSE, IMPEDANCE, AND DISTORTION MEASUREMENTS MADE USING THE ELECTRICAL TEST CONDITIONS SHOWN BELOW.
- 4. ELECTRICAL SOURCE IMPEDANCE MUST BE GREATER THAN 20 TIMES 1KHz IMPEDANCE FOR TEST CONDITIONS SHOWN BELOW.
- 5. INDIVIDUAL SPECIFICATIONS:

PORT LOCATION	IMPEDANCE OHMS ±15%		DCR @20°C OHMS ±10%	DISTORTION		ELECTRICAL TEST CONDITIONS	
	1KHz	500Hz		MAX. %	FREQ Hz	AC mA RMS	DC mA
12S	400	200	92.0	10	800	1.09	1.55