

## Excellent Integrated System Limited

Stocking Distributor

Click to view price, real time Inventory, Delivery & Lifecycle Information:

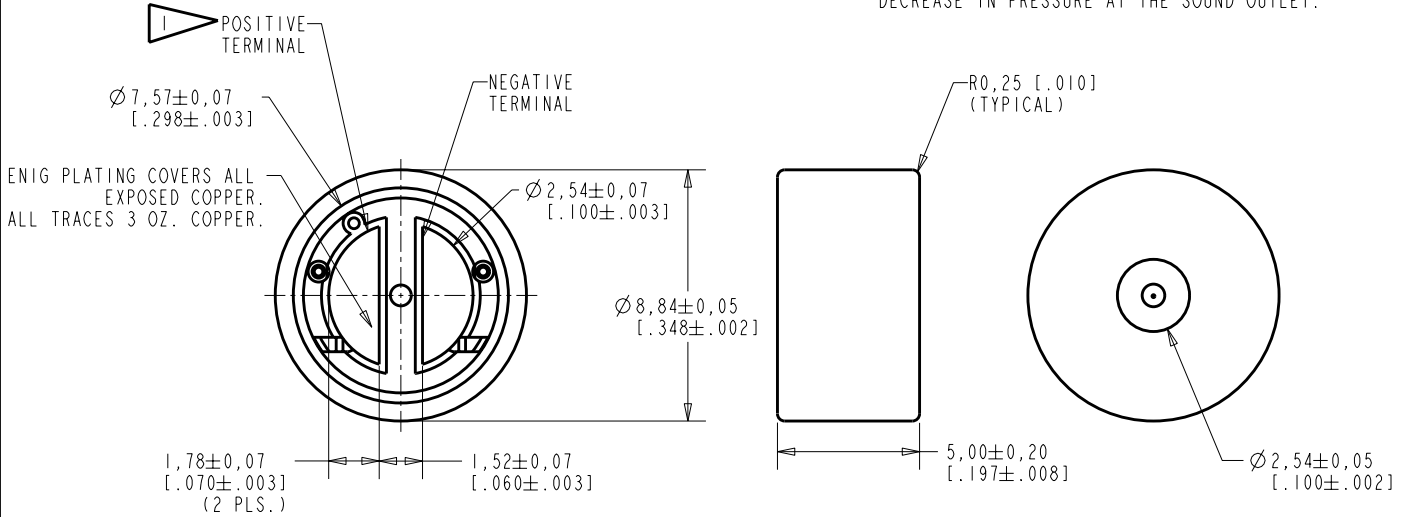
[Knowles](#)  
[SR8850NWS-000](#)

For any questions, you can email us directly:  
[sales@integrated-circuit.com](mailto:sales@integrated-circuit.com)

**SR8850NWS-000**  
SHT 1.1

NOTES:

 A POSITIVE GOING VOLTAGE AT THE POSITIVE TERMINAL, RELATIVE TO NEGATIVE TERMINAL, CAUSES A DECREASE IN PRESSURE AT THE SOUND OUTLET.



SCALE 2:1  
 NOMINAL WEIGHT 0.56 GRAMS  
 DIMENSIONS IN MILLIMETERS [INCHES]

Revision	C.O. #	Implementation Date	RELEASE LEVEL	REVISION
B	C10105487	2-14-07	Released	B
A	C10104974	10-23-06		

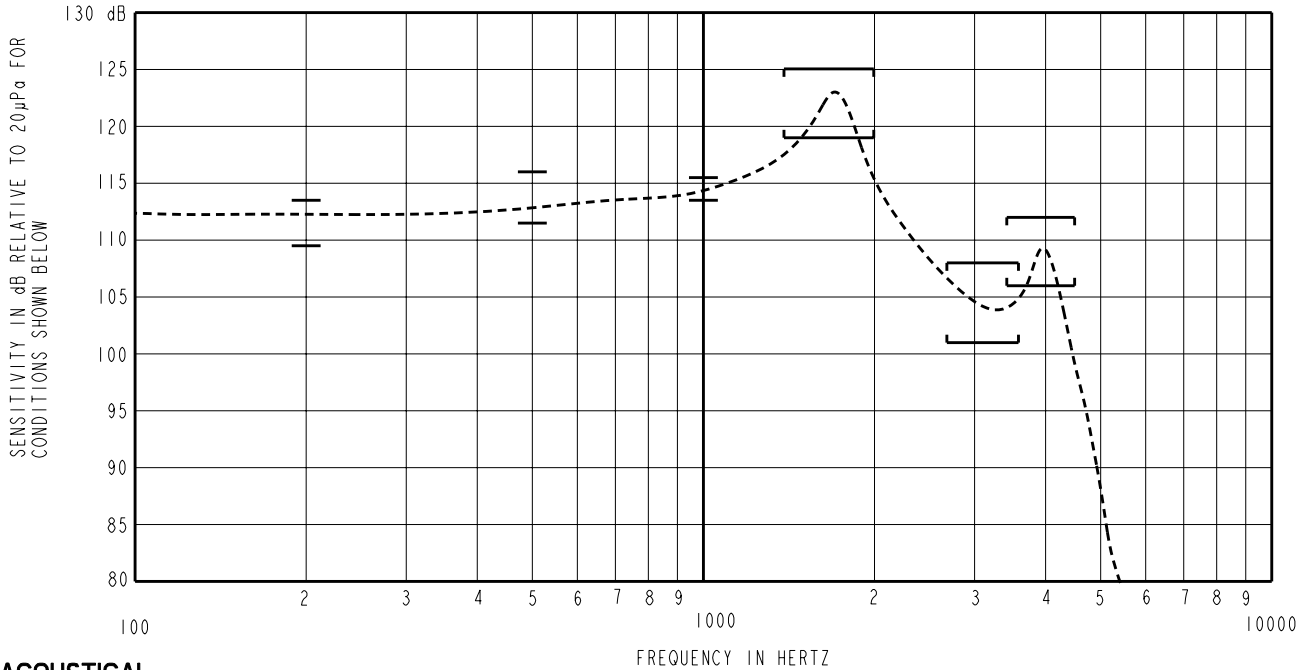
**KNOWLES ELECTRONICS**  
 ITASCA, ILLINOIS U.S.A.

SCALE:	5:1		DR. BY	DATE
DO NOT SCALE DRAWING			CRG	11-27-06
TITLE:	SIRENS	SR8850NWS-000	CK. BY	DATE
OUTLINE DRAWING		SHT 1.1	GJP	11-28-06
			APP. BY	DATE
			GJP	11-28-06

THE SIRENS SR8850NWS-000 IS A MAGNETIC BALANCED ARMATURE RECEIVER WITH INCREASED DCR/IMPEDANCE RATIO FOR REDUCED BASS RESPONSE OPTIMIZED FOR USE IN EARPHONES.

NO DAMPING

SR8850NWS-000  
SHEET 2.1



**ACOUSTICAL**

SENSITIVITY  
 DEVICE WILL PRODUCE THE SPL LISTED BELOW UNDER TEST CONDITIONS DESCRIBED IN TABLE 3.  
 NOMINAL SENSITIVITY AT 1kHz IS dB RELATIVE TO 20µPa. ALL OTHER VALUES IN dB RELATIVE TO THE SENSITIVITY AT 1kHz.

FREQUENCY (Hz)	MINIMUM	NOMINAL	MAXIMUM
100	-5.0	-2.0	+1.0
200	-5.0	-2.0	+1.0
500	-3.0	-1.5	+1.5
1000	-1.0	114.5	+1.0
1400-1900 PEAK	+4.5	+7.5	+10.5
2760-3740 VALLEY	-13.5	-10.5	-6.5
3440-4660 PEAK	-8.5	-5.5	-2.5

MECHANICAL CHARACTERISTICS

SOLDER TYPE: SAC 305 (LEAD FREE)  
 SOLDERING TEMPERATURE: 400°C FOR 2 SECONDS  
 STORAGE TEMPERATURE: -40°C TO 63°C  
 OPERATING TEMPERATURE: -0°C TO 63°C

AT EXTREME ENDS OF THE OPERATING TEMPERATURE THE SENSITIVITY WILL NOT VARY MORE THAN ±3 dB FROM ROOM TEMPERATURE

TABLE 1

TOTAL HARMONIC DISTORTION  
 DEVICE WILL NOT EXCEED TOTAL HARMONIC DISTORTION LEVELS LISTED BELOW.

FREQUENCY (Hz)	AC DRIVE (V rms)	MAX (%)
550	0.215	5
825	0.215	5
1000	0.215	5
550	0.600	10
825	0.600	10

TABLE 2

**TEST CONDITIONS**

NOMINAL SOURCE VOLTAGE	0.215 V rms, 0 mA DC BIAS
SOURCE IMPEDANCE	<1 Ohm
TUBING	10mm [.394"] LONG, 1mm [.039"] I.D.
COUPLER CAVITY	2 CM <sup>3</sup> , SIMULATED ANSI S3.7 TYPE HA-3 (IEC 126)

TABLE 3

**ELECTRICAL**

DC RESISTANCE	18.5 Ohms ± 10%
IMPEDANCE @ 500 Hz	21.5 Ohms ± 15%
IMPEDANCE @ 1kHz	27.8 Ohms ± 15%
INDUCTANCE @ 500 Hz	2.6 mH ± 15%
CAPACITANCE @ 10 MHz	6 pF ± 20%

TABLE 4

ISOLATION: CASE WILL BE ELECTRICALLY ISOLATED FROM THE COIL CIRCUIT.