

Excellent Integrated System Limited

Stocking Distributor

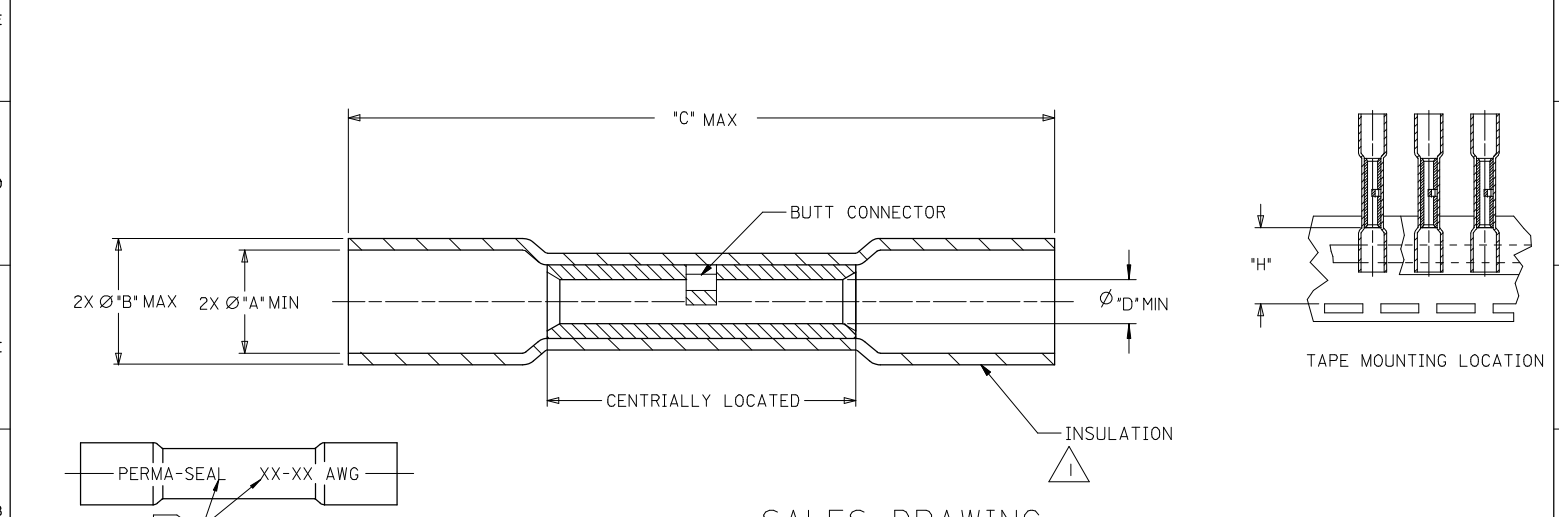
Click to view price, real time Inventory, Delivery & Lifecycle Information:

[Molex Connector Corporation](#)
[19164-0079](#)

For any questions, you can email us directly:

sales@integrated-circuit.com

10	9	8	7	6	5	4	3	2	19164	
MATERIAL NUMBER	ENGINEERING NUMBER	MYLAR TAPE MATERIAL NUMBER	MYLAR TAPE ENGINEERING NUMBER	PERMA-SEAL COLOR	WIRE AWG ③	"A" ⑥ MIN	"B" Ø MAX	⑥ "C" MAX	"H" ±.010/0.25	"D" MIN
191640013	SAA-22-18	191640014	SAA-22-18T	RED	22-18	.185/4.70	.280/7.11	1.55/39.4	.767/19.48	.059/1.50
191640044	SBB-16-14	191640045	SBB-16-14T	BLUE	16-14	.195/4.95	.308/7.82	1.55/39.4	.727/18.47	.091/2.31
191640056	SC-12-10	191640057	SC-12-10T	YELLOW	12-10	.275/6.99	.383/9.73 ⑥	1.80/45.7	.800/23.32	.139/3.53 ⑥
191640079	⑥ SD-354	---	---	RED	8	.300/7.62	.448/11.38	2.05/52.4	---	.165/4.19



SALES DRAWING

- NOTES,
- ① INSULATION MATERIAL: HEAT SHRINKABLE TUBING WITH HOTMELT INNER LINER. SEE CHART FOR COLOR.
 - ② SEAMLESS TIN PLATED COPPER TERMINAL.
 - ③ PRINTED TEXT IN BLACK APPROXIMATELY .12 (3.0) HIGH.
 - ④ PART IS ROHS COMPLIANT.

UPDATE MAX LENGTH EC NO: WNA2008-0006 TDRW: NETHRODAIL 2007/12/20 CHKD: MACNETL 2007/12/29 APPR: MACNETL 2008/01/08	QUALITY SYMBOLS	GENERAL TOLERANCES (UNLESS SPECIFIED)	DIMENSION STYLE IN/MM	SCALE 1:1	DESIGN UNITS INCH	THIRD ANGLE PROJECTION
	▽=0	4 PLACES ± --- ± ---	DRAWN BY BRE DATE 2002/03/22	TITLE PERMA-SEAL NIAC BUTT CONNECTORS MOLEX INCORPORATED DOCUMENT NO. SD-19164-017 SHEET NO. 1 OF 1		
	▽=0	3 PLACES ± --- ± ---	CHECKED BY HEB DATE 2002/03/22			
		2 PLACES ± --- ± ---	APPROVED BY RWD DATE 2002/03/22	MATERIAL NO. SEE CHART		
	1 PLACE ± --- ± ---	ANGULAR ± ---°	DRAFT WHERE APPLICABLE MUST REMAIN WITHIN DIMENSIONS			