

Excellent Integrated System Limited

Stocking Distributor

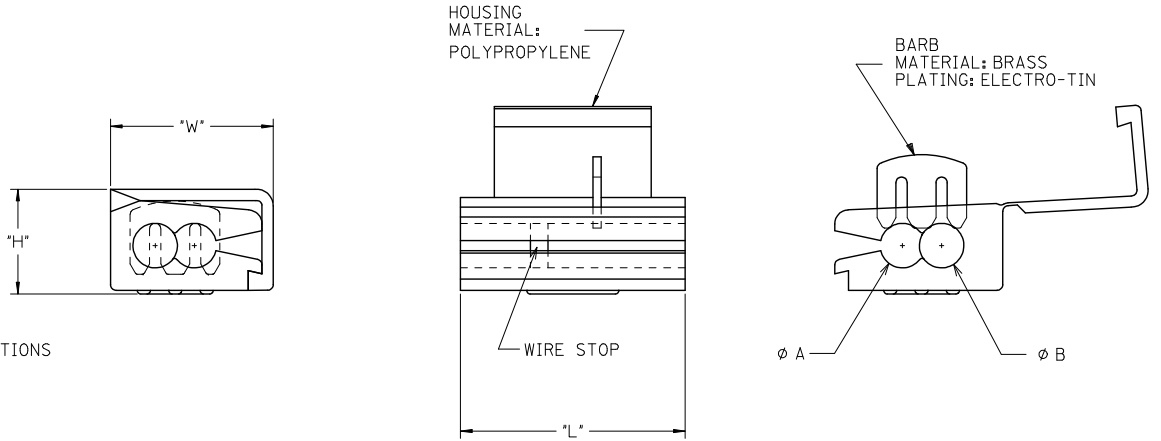
Click to view price, real time Inventory, Delivery & Lifecycle Information:

[Molex Connector Corporation](#)
[19216-0003](#)

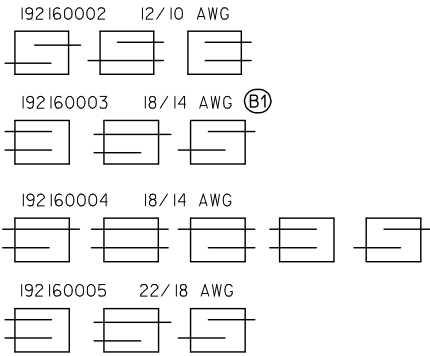
For any questions, you can email us directly:

sales@integrated-circuit.com

10	9	8	7	6	5	4	3	2	19216
MATERIAL NUMBER	ALTERNATE NUMBER	WIRE SIZE	WIRE STOP	COLOR	"H" MAX	"W" MAX	"L" MAX	"A" MIN	"B" MIN
192160002	ML-1210	12-10	YES	YELLOW	.52/(13.2)	.74/(18.8)	.80/(20.3)	.160/(4.06)	.185/(4.70)
192160003	ML-1614	18-14 (B1)	YES	BLUE	.42/(10.7)	.55/(13.8)	.79/(20.1)	.125/(3.17)	.130/(3.30)
192160004	ML-1814	18-14	NO	WHITE	.42/(10.7)	.55/(13.8)	.79/(20.1)	.125/(3.17)	.130/(3.30)
192160005	ML-2218	22-18	YES	RED	.42/(10.7)	.55/(13.8)	.79/(20.1)	.120/(3.04)	.120/(3.04)



POSSIBLE WIRE CONFIGURATIONS



NOTE:
PARTS ARE ROHS COMPLIANT.

CUSTOMER DRAWING

CORRECT WIRE SIZE EC NO: ICG2014-1302 DRAWING NO: JAS01 28/11/01/23 CHKD: MACNELL 28/11/01/23 APPR: MACNELL 28/11/02/07 REV: B1	QUALITY SYMBOLS ▽=0 ▽=0	GENERAL TOLERANCES (UNLESS SPECIFIED)	DIMENSION STYLE IN/MM	SCALE 1:1	DESIGN UNITS INCH	THIRD ANGLE PROJECTION																														
		<table border="1"> <thead> <tr> <th></th> <th>mm</th> <th>INCH</th> </tr> </thead> <tbody> <tr> <td>4 PLACES</td> <td>± .13</td> <td>± .005</td> </tr> <tr> <td>3 PLACES</td> <td>± .13</td> <td>± .01</td> </tr> <tr> <td>2 PLACES</td> <td>± 0.13</td> <td>± .01</td> </tr> <tr> <td>1 PLACE</td> <td>± 0.25</td> <td>± .01</td> </tr> <tr> <td colspan="3">ANGULAR ± .05°</td> </tr> </tbody> </table>		mm	INCH	4 PLACES	± .13	± .005	3 PLACES	± .13	± .01	2 PLACES	± 0.13	± .01	1 PLACE	± 0.25	± .01	ANGULAR ± .05°			<table border="1"> <thead> <tr> <th>DRAWN BY</th> <th>DATE</th> </tr> </thead> <tbody> <tr> <td>EDB</td> <td>2000/11/22</td> </tr> <tr> <th>CHECKED BY</th> <th>DATE</th> </tr> <tr> <td>HEB</td> <td>2000/11/22</td> </tr> <tr> <th>APPROVED BY</th> <th>DATE</th> </tr> <tr> <td>RWD</td> <td>2000/11/22</td> </tr> </tbody> </table>	DRAWN BY	DATE	EDB	2000/11/22	CHECKED BY	DATE	HEB	2000/11/22	APPROVED BY	DATE	RWD	2000/11/22	TITLE MULTI LOCK CONNECTOR 22 THROUGH 10 AWG		
		mm	INCH																																	
	4 PLACES	± .13	± .005																																	
3 PLACES	± .13	± .01																																		
2 PLACES	± 0.13	± .01																																		
1 PLACE	± 0.25	± .01																																		
ANGULAR ± .05°																																				
DRAWN BY	DATE																																			
EDB	2000/11/22																																			
CHECKED BY	DATE																																			
HEB	2000/11/22																																			
APPROVED BY	DATE																																			
RWD	2000/11/22																																			
	DRAFT WHERE APPLICABLE MUST REMAIN WITHIN DIMENSIONS	MATERIAL NO. SEE CHART	DOCUMENT NO. SD-19216-003	SHEET NO. 1 OF 1																																