

Excellent Integrated System Limited

Stocking Distributor

Click to view price, real time Inventory, Delivery & Lifecycle Information:

[IXYS Corporation](#)
[FSS100-008A](#)

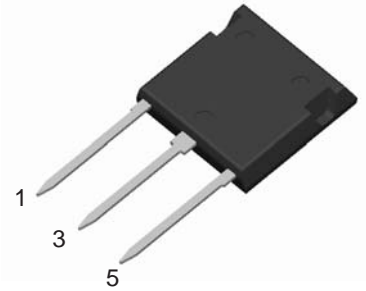
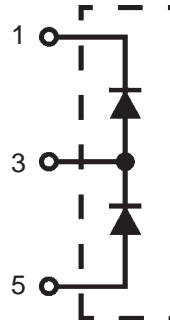
For any questions, you can email us directly:
sales@integrated-circuit.com

Dual Power Schottky Diode

in ISOPLUS i4-PAC™

FSS 100-008A

$V_{RRM} = 80\text{ V}$
 $V_F = 0.9\text{ V}$
 $I_{F(AV)M} = 90\text{ A}$



Diodes

| Symbol | Conditions | Maximum Ratings | |
|--------------|--|-----------------|---|
| V_{RRM} | | 80 | V |
| I_{FAV} | $T_C = 90^\circ\text{C}$; sine 180° | 85 | A |
| $I_{F(AV)M}$ | $T_C = 90^\circ\text{C}$; d = 0.5 rectangular | 90 | A |
| P_{tot} | $T_C = 25^\circ\text{C}$ (per diode) | 100 | W |

Features

- Schottky diodes
 - very low forward voltage
 - extremely fast switching
 - blocking capability optimized for elevated temperature
- ISOPLUS i4-PAC™ package
 - DCB isolated back surface
 - enlarged creepage towards heatsink
 - application friendly pinout
 - low inductive current path
 - high reliability
 - industry standard outline

| Symbol | Conditions | Characteristic Values ($T_{VJ} = 25^\circ\text{C}$, unless otherwise specified) | | |
|------------|---|--|------------|------------|
| | | min. | typ. | max. |
| V_F | $I_F = 75\text{ A}$; $T_{VJ} = 25^\circ\text{C}$ $T_{VJ} = 125^\circ\text{C}$ | | 0.9 0.8 | 1.0 V V |
| I_R | $V_R = V_{RRM}$; $T_{VJ} = 25^\circ\text{C}$ $T_{VJ} = 125^\circ\text{C}$ | | 2.5 | 2 mA mA |
| R_{thJC} | (per diode) | | | 1.4 K/W |

Applications

- for use in
 - automotive drives and converters
 - hand held tools
 - low voltage power supplies
 - battery chargers
 - solar converters
- operating
 - as free wheeling diode of choppers for supply of motors or transformers
 - as high frequency secondary rectifier
 - anti paralleled to MOSFETs complementing their intrinsic body diode

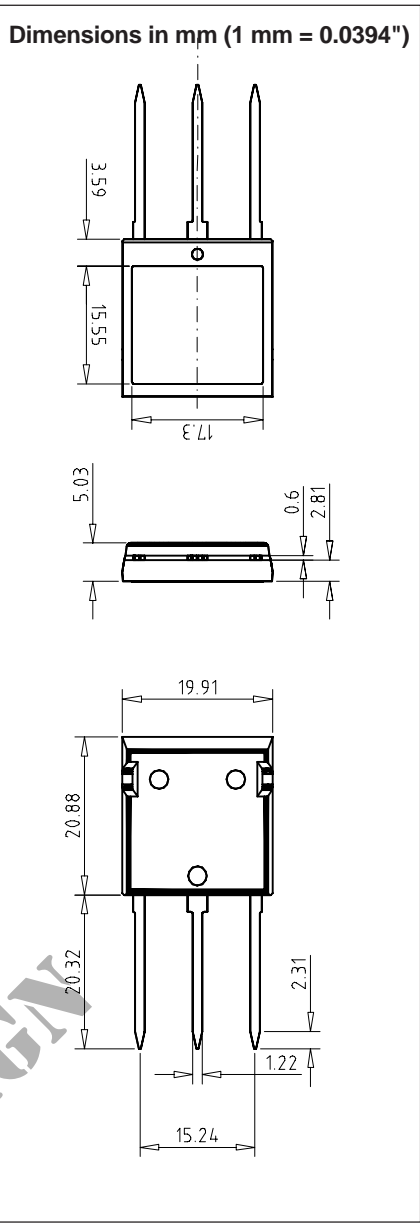
**Recommended replacement:
DSSS 35-008AR**

IXYS **FSS 100-008A**

Component

| Symbol | Conditions | Maximum Ratings | |
|------------|--|-----------------|----|
| T_{VJ} | | -55...+175 | °C |
| T_{stg} | | -55...+125 | °C |
| V_{ISOL} | $I_{ISOL} \leq 1 \text{ mA}; 50/60 \text{ Hz}$ | 2500 | V~ |
| F_c | mounting force with clip | 20...120 | N |

| Symbol | Conditions | Characteristic Values | | |
|---------------|---|-----------------------|------|------|
| | | min. | typ. | max. |
| C_p | coupling capacity between shorted pins and mounting tab in the case | | 40 | pF |
| d_s, d_A | pin - pin | 5.5 | | mm |
| d_s, d_A | pin - backside metal | 5.5 | | mm |
| R_{thCH} | with heatsink compound | 0.15 | | K/W |
| Weight | | 9 | | g |



NOT FOR NEW DESIGN