

Excellent Integrated System Limited

Stocking Distributor

Click to view price, real time Inventory, Delivery & Lifecycle Information:

[IXYS Corporation](#)

[VBO130-14NO7](#)

For any questions, you can email us directly:

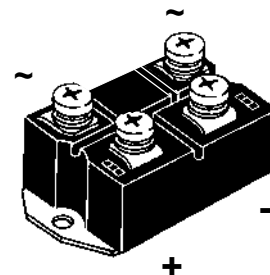
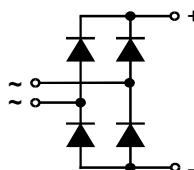
sales@integrated-circuit.com

VBO 130

Single Phase Rectifier Bridge

$I_{dAV} = 122 A$
 $V_{RRM} = 800-1800 V$

V_{RSM} V	V_{RRM} V	Type
800	800	VBO 130-08NO7
1200	1200	VBO 130-12NO7
1400	1400	VBO 130-14NO7
1600	1600	VBO 130-16NO7
1800	1800	VBO 130-18NO7



Symbol	Test Conditions	Maximum Ratings	
I_{dAV}	$T_C = 100^\circ C$, module	122 A	
I_{dAV}	$T_A = 35^\circ C$ ($R_{thCA} = 0.2 K/W$), module	115 A	
I_{FSM}	$T_{VJ} = 45^\circ C$; $V_R = 0$	t = 10 ms (50 Hz), sine	1800 A
		t = 8.3 ms (60 Hz), sine	1950 A
I_{FSM}	$T_{VJ} = T_{VJM}$; $V_R = 0$	t = 10 ms (50 Hz), sine	1600 A
		t = 8.3 ms (60 Hz), sine	1800 A
I^2t	$T_{VJ} = 45^\circ C$; $V_R = 0$	t = 10 ms (50 Hz), sine	16 200 A ² s
		t = 8.3 ms (60 Hz), sine	16 200 A ² s
I^2t	$T_{VJ} = T_{VJM}$; $V_R = 0$	t = 10 ms (50 Hz), sine	12 800 A ² s
		t = 8.3 ms (60 Hz), sine	13 400 A ² s
T_{VJ}		-40...+150 °C	
T_{VJM}		150 °C	
T_{stg}		-40...+125 °C	
V_{ISOL}	50/60 Hz, RMS	t = 1 min	2500 V~
	$I_{ISOL} \leq 1 mA$	t = 1 s	3000 V~
M_d	Mounting torque (M6)		5 ± 15 % Nm
	Terminal connection torque (M6)		5 ± 15 % Nm
Weight	typ.		270 g

Features

- Package with screw terminals
- Isolation voltage 3000 V~
- Planar passivated chips
- Blocking voltage up to 1800 V
- Low forward voltage drop
- UL applied

Applications

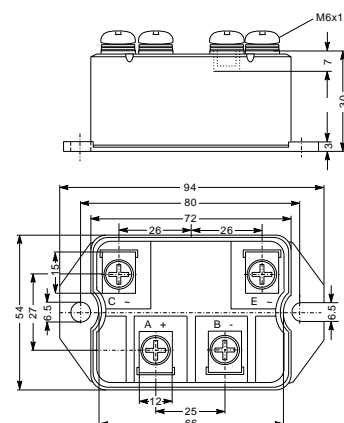
- Supplies for DC power equipment
- Input rectifiers for PWM inverter
- Battery DC power supplies
- Field supply for DC motors

Advantages

- Easy to mount with two screws
- Space and weight savings
- Improved temperature and power cycling

Symbol	Test Conditions	Characteristic Values
I_R	$V_R = V_{RRM1}$; $T_{VJ} = 25^\circ C$	$\leq 0.3 mA$
	$V_R = V_{RRM2}$; $T_{VJ} = T_{VJM}$	$\leq 5 mA$
V_F	$I_F = 300 A$; $T_{VJ} = 25^\circ C$	$\leq 1.65 V$
V_{T0}	For power-loss calculations only	0.8 V
r_T	$T_{VJ} = T_{VJM}$	3 mΩ
R_{thJC}	per diode, 180°	0.65 K/W
	per module	0.108 K/W
R_{thJK}	per diode; 180°	0.83 K/W
	per module	0.138 K/W
d_s	Creeping distance on surface	10 mm
d_A	Creepage distance in air	9.4 mm
a	Max. allowable acceleration	50 m/s ²

Dimensions in mm (1 mm = 0.0394")



Data according to IEC 60747 refer to a single diode unless otherwise stated
 IXYS reserves the right to change limits, test conditions and dimensions.