

Excellent Integrated System Limited

Stocking Distributor

Click to view price, real time Inventory, Delivery & Lifecycle Information:

[Intersil](#)

[ISL8701AIBZ](#)

For any questions, you can email us directly:

sales@integrated-circuit.com

Adjustable Quad Sequencer

The ISL8700A, ISL8701A, ISL8702A, ISL8703A, ISL8704A, ISL8705A family of ICs provide four delay adjustable sequenced outputs while monitoring an input voltage all with a minimum of external components.

High performance DSP, FPGA, μ P and various sub-systems require input power sequencing for proper functionality at initial power up and the ISL870XA provides this function while monitoring the distributed voltage for over and undervoltage compliance.

These ICs operate over the +3.3V to +24V nominal voltage range. All have a user adjustable time from UV and OV voltage compliance to sequencing start via an external capacitor when in auto start mode and adjustable time delay to subsequent ENABLE output signal via external resistors.

Additionally, the ISL8702A, ISL8703A, ISL8704A and ISL8705A provide I/O for sequencing on and off operation (SEQ_EN) and for voltage window compliance reporting (FAULT) over the +3.3V to +24V nominal voltage range.

Easily daisy chained for more than 4 sequenced signals.

Altogether, the ISL870XA provides these adjustable features with a minimum of external BOM. See Figure 1 for typical implementation.

Ordering Information

PART NUMBER (Note 1)	PART MARKING	TEMP. RANGE (°C)	PACKAGE (Pb-free)	PKG. DWG. #
ISL8700AIBZ*	ISL8700AIBZ	-40 to +85	14 Ld SOIC	M14.15
ISL8701AIBZ*	ISL8701AIBZ	-40 to +85	14 Ld SOIC	M14.15
ISL8702AIBZ*	ISL8702AIBZ	-40 to +85	14 Ld SOIC	M14.15
ISL8703AIBZ*	ISL8703AIBZ	-40 to +85	14 Ld SOIC	M14.15
ISL8704AIBZ*	ISL8704AIBZ	-40 to +85	14 Ld SOIC	M14.15
ISL8705AIBZ*	ISL8705AIBZ	-40 to +85	14 Ld SOIC	M14.15
ISL870XAEVAL1	Evaluation Platform			

*Add "-T" suffix for tape and reel.

NOTES:

1. Intersil Pb-free plus anneal products employ special Pb-free material sets; molding compounds/die attach materials and 100% matte tin plate termination finish, which are RoHS compliant and compatible with both SnPb and Pb-free soldering operations. Intersil Pb-free products are MSL classified at Pb-free peak reflow temperatures that meet or exceed the Pb-free requirements of IPC/JEDEC J STD-020.

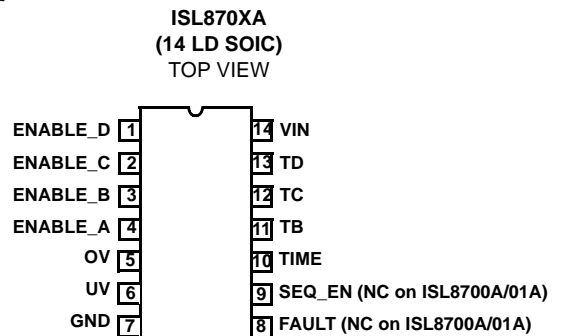
Features

- Adjustable Delay to Subsequent Enable Signal
- Adjustable Delay to Sequence Auto Start
- Adjustable Distributed Voltage Monitoring
- Under and Overvoltage Adjustable Delay to Auto Start Sequence
- I/O Options
 ENABLE (ISL8700A, ISL8702A, ISL8704A) and
 ENABLE# (ISL8701A, ISL8703A, ISL8705A)
 SEQ_EN (ISL8702A, ISL8703A) and
 SEQ_EN# (ISL8704A, ISL8705A)
- Voltage Compliance Fault Output
- Pb-Free Plus Anneal Available (RoHS Compliant)

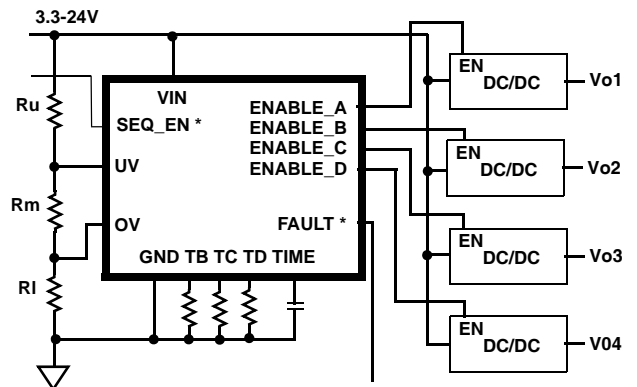
Applications

- Power Supply Sequencing
- System Timing Function

Pinout



**ISL8701A, ISL8703A, ISL8705A PINS 1-4 ARE ENABLE# FUNCTION
 ISL8704A, ISL8705A PIN 9 IS SEQ_EN# FUNCTION**



* SEQ_EN and FAULT are not available on ISL8700A and ISL8701A

FIGURE 1. ISL870XA IMPLEMENTATION

ISL8700A, ISL8701A, ISL8702A, ISL8703A, ISL8704A, ISL8705A

Absolute Maximum Ratings

V _{IN} , ENABLE(#), FAULT	27V, to -0.3V
TIME, TB, TC, TD, UV, OV	+6V, to -0.3V
SEQ_EN(#)	V _{IN} +0.3V, to -0.3V
ENABLE, ENABLE # Output Current	10mA

Thermal Information

Thermal Resistance (Typical, Note 2)	θ _{JA} (°C/W)
14 Ld SOIC	110
Maximum Junction Temperature (Plastic Package)	+125°C
Maximum Storage Temperature Range	-65°C to +150°C
Maximum Lead Temperature (Soldering 10s)	+300°C (SOIC Lead Tips Only)

Operating Conditions

Temperature Range	-40°C to +85°C
Supply Voltage Range (Nominal)	3.3V to 24V

CAUTION: Stresses above those listed in "Absolute Maximum Ratings" may cause permanent damage to the device. This is a stress only rating and operation of the device at these or any other conditions above those indicated in the operational sections of this specification is not implied.

NOTE:

- θ_{JA} is measured with the component mounted on a high effective thermal conductivity test board in free air. See Tech Brief TB379 for details.

Electrical Specifications Nominal V_{IN} = 3.3V to +24V, T_A = T_J = -40°C to +85°C, Unless Otherwise Specified.

PARAMETER	SYMBOL	TEST CONDITIONS	MIN	TYP	MAX	UNIT
UV AND OV INPUTS						
UV/OV Rising Threshold	V _{UVRvth}		1.16	1.21	1.28	V
UV/OV Falling Threshold	V _{UVFvth}		1.06	1.10	1.18	V
UV/OV Hysteresis	V _{UVhys}	V _{UVRvth} - V _{UVFvth}	-	104	-	mV
UV/OV Input Current	I _{UV}		-	10	-	nA
TIME, ENABLE/ENABLE# OUTPUTS						
TIME Pin Charging Current	I _{TIME}		-	2.6	-	μA
TIME Pin Threshold	V _{TIME_VTH}		1.9	2.0	2.25	V
Time from V _{IN} Valid to ENABLE_A	t _{VINSEQpd}	SEQ_EN = high, C _{TIME} = open	-	30	-	μs
	t _{VINSEQpd_10}	SEQ_EN = high, C _{TIME} = 10nF	-	7.7	-	ms
	t _{VINSEQpd500}	SEQ_EN = high, C _{TIME} = 500nF	-	435	-	ms
Time from V _{IN} Invalid to Shutdown	t _{shutdown}	UV or OV to simultaneous shutdown	-	-	1	μs
ENABLE Output Resistance	R _{EN}	I _{ENABLE} = 1mA	-	100	-	Ω
ENABLE Output Low	V _{ol}	I _{ENABLE} = 1mA	-	0.1	-	V
ENABLE Pull-down Current	I _{pullD}	ENABLE = 1V	10	15	-	mA
Delay to Subsequent ENABLE Turn-on/off	t _{del_120}	R _{TX} = 120kΩ	155	195	240	ms
	t _{del_3}	R _{TX} = 3kΩ	3.5	4.7	6	ms
	t _{del_0}	R _{TX} = 0Ω	-	0.5	-	ms
SEQUENCE ENABLE AND FAULT I/O						
V _{IN} Valid to FAULT Low	t _{FLTL}		15	30	50	μs
V _{IN} Invalid to FAULT High	t _{FLTH}		-	0.5	-	μs
FAULT Pull-down Current		FAULT = 1V	10	15	-	mA
SEQ_EN Pull-up Voltage	V _{SEQ}	SEQ_EN open	-	2.4	-	V
SEQ_EN Low Threshold Voltage	V _{ilSEQ_EN}		-	-	0.3	V
SEQ_EN High Threshold Voltage	V _{ihSEQ_EN}		1.2	-	-	V
Delay to ENABLE_A Deasserted	t _{SEQ_EN_ENA}	SEQ_EN low to ENABLE_A low	-	0.2	1	μs
BIAS						
IC Supply Current	I _{VIN_3.3V}	V _{IN} = 3.3V	-	191	-	μA
	I _{VIN_12V}	V _{IN} = 12V	-	246	400	μA
	I _{VIN_24V}	V _{IN} = 24V	-	286	-	μA
V _{IN} Power On Reset	V _{IN_POR}	V _{IN} low to high	-	2.3	2.8	V

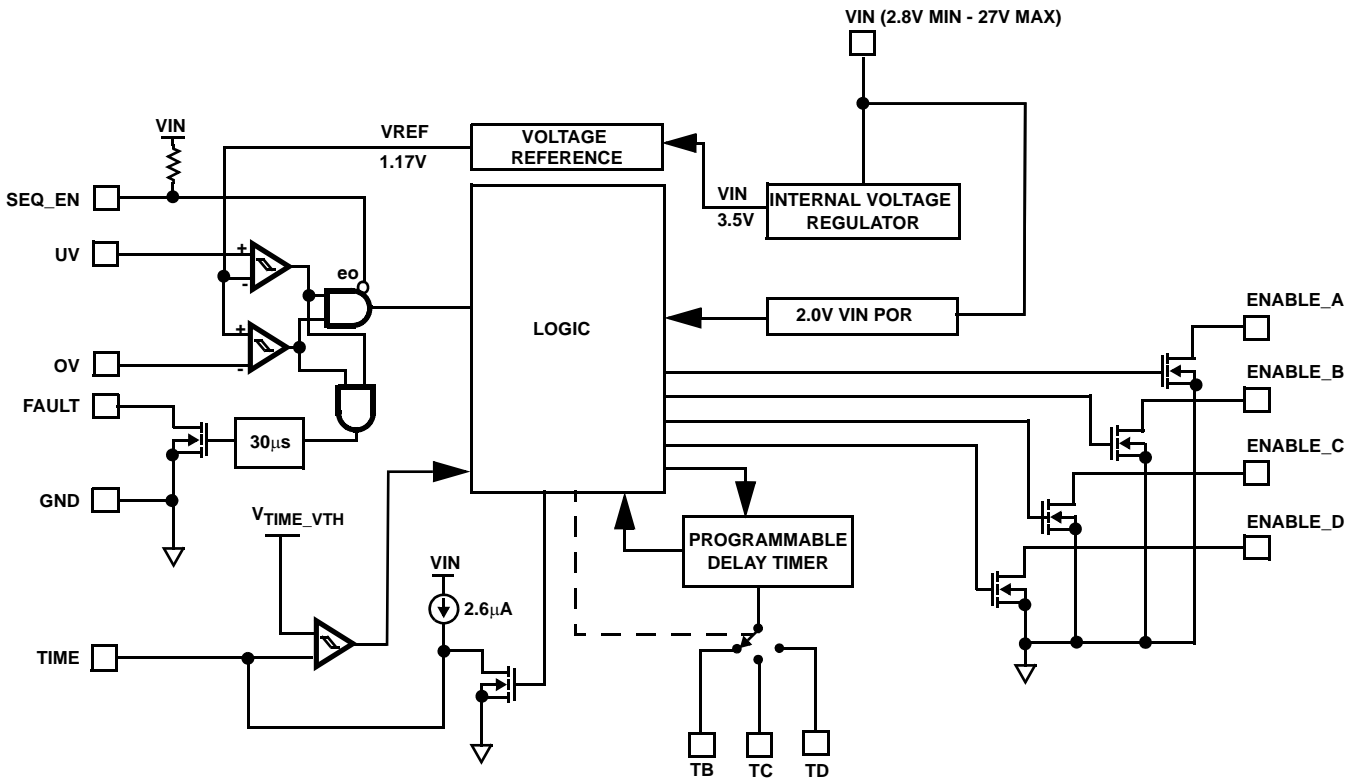
ISL8700A, ISL8701A, ISL8702A, ISL8703A, ISL8704A, ISL8705A

Pin Descriptions

PINS						PIN NAME	FUNCTION DESCRIPTION
8700A	8701A	8702A	8703A	8704A	8705A		
NA	1	NA	1	NA	1	ENABLE#_D	Active low open drain sequenced output. Sequenced on after ENABLE#_C and first output to sequence off for the ISL8701A, ISL8703A, ISL8705A. Tracks V_{IN} upon bias.
1	NA	1	NA	1	NA	ENABLE_D	Active high open drain sequenced output. Sequenced on after ENABLE_C and first output to sequence off for the ISL8700A, ISL8702A, ISL8704A. Pulls low with $V_{IN} < 1V$.
NA	2	NA	2	NA	2	ENABLE#_C	Active low open drain sequenced output. Sequenced on after ENABLE#_B and sequenced off after ENABLE#_D for the ISL8701A, ISL8703A, ISL8705A. Tracks V_{IN} upon bias.
2	NA	2	NA	2	NA	ENABLE_C	Active high open drain sequenced output. Sequenced on after ENABLE_B and sequenced off after ENABLE_D for the ISL8700A, ISL8702A, ISL8704A. Pulls low with $V_{IN} < 1V$.
NA	3	NA	3	NA	3	ENABLE#_B	Active low open drain sequenced output. Sequenced on after ENABLE#_A and sequenced off after ENABLE#_C for the ISL8701A, ISL8703A, ISL8705A. Tracks V_{IN} upon bias.
3	NA	3	NA	3	NA	ENABLE_B	Active high open drain sequenced output. Sequenced on after ENABLE_A and sequenced off after ENABLE_C for the ISL8700A, ISL8702A, ISL8704A. Pulls low with $V_{IN} < 1V$.
NA	4	NA	4	NA	4	ENABLE#_A	Active low open drain sequenced output. Sequenced on after CTIME period and sequenced off after ENABLE#_B for the ISL8701A, ISL8703A, ISL8705A. Tracks V_{IN} upon bias.
4	NA	4	NA	4	NA	ENABLE_A	Active high open drain sequenced output. Sequenced on after CTIME period and sequenced off after ENABLE_B for the ISL8700A, ISL8702A, ISL8704A. Pulls low with $V_{IN} < 1V$.
5	5	5	5	5	5	OV	The voltage on this pin must be under its 1.22V V_{th} or the four ENABLE outputs will be immediately pulled down. Conversely the 4 ENABLE# outputs will be released to be pulled high via external pull-ups.
6	6	6	6	6	6	UV	The voltage on this pin must be over its 1.22V V_{th} or the four ENABLE outputs will be immediately pulled down. Conversely the 4 ENABLE# outputs will be released to be pulled high via external pull-ups.
7	7	7	7	7	7	GND	IC ground.
NA	NA	8	8	8	8	FAULT	The V_{IN} voltage when not within the desired UV to OV window will cause FAULT to be released to be pulled high to a voltage equal to or less than V_{IN} via an external resistor.
NA	NA	9	9	NA	NA	SEQ_EN	This pin provides a sequence on signal input with a high input. Internally pulled high to ~2.4V.
NA	NA	NA	NA	9	9	SEQ_EN#	This pin provides a sequence on signal input with a low input. Internally pulled high to ~2.4V.
10	10	10	10	10	10	TIME	This pin provides a 2.6 μ A current output so that an adjustable V_{IN} valid to sequencing on and off start delay period is created with a capacitor to ground.
11	11	11	11	11	11	TB	A resistor connected from this pin to ground determines the time delay from ENABLE_A being active to ENABLE_B being active on turn-on and also going inactive on turn-off via the SEQ_IN input.
12	12	12	12	12	12	TC	A resistor connected from this pin to ground determines the time delay from ENABLE_B being active to ENABLE_C being active on turn-on and also going inactive on turn-off via the SEQ_IN input.
13	13	13	13	13	13	TD	A resistor connected from this pin to ground determines the time delay from ENABLE_C being active to ENABLE_D being active on turn-on and also going inactive on turn-off via the SEQ_IN input.
14	14	14	14	14	14	V_{IN}	IC Bias Pin Nominally 3.3V to 24V This pin requires a 1 μ F decoupling capacitor close to IC pin.

ISL8700A, ISL8701A, ISL8702A, ISL8703A, ISL8704A, ISL8705A

Functional Block Diagram



Functional Description

The ISL870XA family of ICs provides four delay adjustable sequenced outputs while monitoring a single distributed voltage in the nominal range of 3.3V to 24V for both under and overvoltage. Only when the voltage is in compliance will the ISL870XA initiate the pre-programmed A-B-C-D sequence of the ENABLE (ISL8700A, ISL8702A, ISL8704A) or ENABLE# (ISL8701A, ISL8703A, ISL8705A) outputs. Although this IC has a bias range of 3.3V to 24V it can monitor any voltage >1.22V via the external divider if a suitable bias voltage is otherwise provided.

During initial bias voltage (V_{IN}) application the ISL8700A, ISL8702A, ISL8704A ENABLE outputs are held low once $V_{IN} = 1V$ whereas the ISL8701A, ISL8703A, ISL8705A ENABLE# outputs follow the rising V_{IN} . Once $V_{IN} >$ the V bias power on reset threshold (POR) of 2.8V, V_{IN} is constantly monitored for compliance via the input voltage resistor divider and the voltages on the UV and OV pins and reported by the FAULT output. Internally, voltage regulators generate 3.5V and 1.17V $\pm 5\%$ voltage rails for internal usage once $V_{IN} >$ POR. Once $UV > 1.22V$ and with the SEQ_EN pin high or open, (SEQ_EN# must be pulled low on ISL8704A, ISL8705A) the auto sequence of the four ENABLE (ENABLE#) outputs begins as the TIME pin charges its external capacitor with a 2.6µA current source. The voltage on TIME is compared to the internal reference (V_{TIME_VTH}) comparator input and when

greater than V_{TIME_VTH} the ISL8700A, ISL8702A, ISL8704A ENABLE_A is released to go high via an external pull-up resistor or a pull-up in a DC/DC convertor enable input, for example. Conversely, ENABLE#_A output will be pulled low at this time on an ISL8701A, ISL8703A, ISL8705A. The time delay generated by the external capacitor is to assure continued voltage compliance within the programmed limits, as during this time any OV or UV condition will halt the start-up process. TIME cap is discharged once V_{TIME_VTH} is met.

Once ENABLE_A is active (either released high on the ISL8700A, ISL8702A, ISL8704A or pulled low, ISL8701A, ISL8703A, ISL8705A) a counter is started and using the resistor on TB as a timing component a delay is generated before ENABLE_B is activated. At this time, the counter is restarted using the resistor on TC as its timing component for a separate timed delay until ENABLE_C is activated. This process is repeated for the resistor on TD to complete the A-B-C-D sequencing order of the ENABLE or ENABLE# outputs. At any time during sequencing if an OV or UV event is registered, all four ENABLE outputs will immediately return to their reset state; low for ISL8700A, ISL8702A, ISL8704A and high for ISL8701A, ISL8703A, ISL8705A. C_{TIME} is immediately discharged after initial ramp up thus waiting for subsequent voltage compliance to restart. Once sequencing is complete, any subsequently registered UV or OV event will trigger an immediate and simultaneous reset of all ENABLE or ENABLE# outputs.

ISL8700A, ISL8701A, ISL8702A, ISL8703A, ISL8704A, ISL8705A

On the ISL8702A, ISL8703A, ISL8704A and ISL8705A, enabling of on or off sequencing can also be signaled via the SEQ_EN or SEQ_EN# input pin once voltage compliance is met. Initially, the SEQ_EN pin should be held low and released when sequence start is desired. The SEQ# is internally pulled high and sequencing is enabled when it is pulled low. The on sequence of the ENABLE outputs is as previously described. The off sequence feature is only available on the variants having the SEQ_EN or the SEQ_EN# inputs, these being the ISL8702A, ISL8703A, ISL8704A, ISL8705A. The sequence is D off, then C off, then B off and finally A off. Once SEQ_EN (SEQ_EN#) is signaled low (high), the TIME cap is charged to 2V once again. Once this V_{th} is reached, ENABLE_D transitions to its reset state and CTIM is discharged. A delay and subsequent sequence off is then determined by TD resistor to ENABLE_C. Likewise, a delay to ENABLE_B and then ENABLE_A turn-off is determined by TC and TB resistor values respectively.

With the ISL8700A, ISL8701A a quasi down sequencing of the ENABLE outputs can be achieved by loading the ENABLE pins with various value capacitors to ground. When a simultaneous output latch off is invoked, the caps will set the falling ramp of the various ENABLE outputs thus adjusting the time to V_{th} for various DC/DC convertors or other circuitry.

Regardless of IC variant, the FAULT signal is always valid at operational voltages and can be used as justification for SEQ_EN release or even controlled with an RC timer for sequence on.

Programming the Under and Overvoltage Limits

When choosing resistors for the divider remember to keep the current through the string bounded by power loss at the top end and noise immunity at the bottom end. For most applications, total divider resistance in the 10kΩ to 1000kΩ range is advisable with high precision resistors being used to reduce monitoring error. Although for the ISL870XA, two dividers of two resistors each can be employed to separately monitor the UV and OV levels for the V_{IN} voltage. We will discuss using a single three resistor string for monitoring the V_{IN} voltage, referencing Figure 1. In the three resistor divider string with R_u (upper), R_m (middle) and R_l (lower), the ratios of each in combination to the other two is balanced to achieve the desired UV and OV trip levels. Although this IC has a bias range of 3.3V to 24V, it can monitor any voltage >1.22V.

The ratio of the desired overvoltage trip point to the internal reference is equal to the ratio of the two upper resistors to the lowest (gnd connected) resistor.

The ratio of the desired undervoltage trip point to the internal reference voltage is equal to the ratio of the uppermost (voltage connected) resistor to the lower two resistors.

These assumptions are true for both rising (turn-on) or falling (shutdown) voltages.

The following is a practical example worked out. For detailed equations on how to perform this operation for a given supply

requirement please see the next section.

1. Determine if turn-on or shutdown limits are preferred. In this example, we will determine the resistor values based on the shutdown limits.
2. Establish lower and upper trip level: 12V ±10% or 13.2V (OV) and 10.8V (UV)
3. Establish total resistor string value: 100kΩ, I_r = divider current
4. (R_m+R_l) x I_r = 1.1V @ UV and R_l x I_r = 1.2V @ OV
5. R_m+R_l = 1.1V/I_r @ UV = R_m+R_l = 1.1V/(10.8V/100kΩ) = 10.370kΩ
6. R_l = 1.2V/I_r @ OV = R_l = 1.2V/(13.2V/100kΩ) = 9.242kΩ
7. R_m = 10.370kΩ - 9.242kΩ = 1.128kΩ
8. R_u = 100kΩ - 10.370kΩ = 89.630kΩ
9. Choose standard value resistors that most closely approximate these ideal values. Choosing a different total divider resistance value may yield a more ideal ratio with available resistor's values.

In our example, with the closest standard values of R_u = 90.9kΩ, R_m = 1.13kΩ and R_l = 9.31kΩ, the nominal UV falling and OV rising will be at 10.9V and 13.3V respectively.

Programming the ENABLE Output Delays

The delay timing between the four sequenced ENABLE outputs are programmed with four external passive components. The delay from a valid V_{IN} (ISL8700A and ISL8701A) to ENABLE_A and SEQ_EN being valid (ISL8702A, ISL8703A, ISL8704A, ISL8705A) to ENABLE_A is determined by the value of the capacitor on the TIME pin to GND. The external TIME pin capacitor is charged with a 2.6μA current source. Once the voltage on TIME is charged up to the internal reference voltage, (V_{TIME_VTH}) the ENABLE_A output is released out of its reset state. The capacitor value for a desired delay (±10%) to ENABLE_A once V_{IN} and SEQ_EN where applicable has been satisfied is determined by:

$$C_{\text{TIME}} = t_{\text{VINSEQpd}}/770\text{k}\Omega$$

Once ENABLE_A reaches V_{TIME_VTH}, the TIME pin is pulled low in preparation for a sequenced off signal via SEQ_EN. At this time, the sequencing of the subsequent outputs is started. ENABLE_B is released out of reset after a programmable time, then ENABLE_C, then ENABLE_D, all with their own programmed delay times.

The subsequent delay times are programmed with a single external resistor for each ENABLE output providing maximum flexibility to the designer through the choice of the resistor value connected from TB, TC and TD pins to GND. The resistor values determine the charge and discharge rate of an internal capacitor comprising an RC time constant for an oscillator whose output is fed into a counter generating the timing delay to ENABLE output sequencing.

The R_{TX} value for a given delay time is defined as:

$$R_{\text{TX}} = t_{\text{del}}/1667\text{nF}$$

ISL8700A, ISL8701A, ISL8702A, ISL8703A, ISL8704A, ISL8705A

An Advanced Tutorial on Setting UV and OV Levels

This section discusses in additional detail the nuances of setting the UV and OV levels, providing more insight into the ISL870XA than the earlier text.

The following equation set can alternatively be used to work out ideal values for a 3 resistor divider string of Ru, Rm and Rl. These equations assume that VREF is the center point between VUVRvth and VUVFvth (i.e. (VUVRvth + VUVFvth)/2 = 1.17V), Iload is the load current in the resistor string (i.e. VIN/(Ru + Rm + Rl)), VIN is the nominal input voltage and Vtol is the acceptable voltage tolerance, such that the UV and OV thresholds are centered at VIN ± Vtol. The actual acceptable voltage window will also be affected by the hysteresis at the UV and OV pins. This hysteresis is amplified by the resistor string such that the hysteresis at the top of the string is:

$$V_{hys} = V_{UVhys} \times V_{OUT}/V_{REF}$$

This means that the VIN ± Vtol thresholds will exhibit hysteresis resulting in thresholds of VIN + Vtol ± Vhys/2 and VIN - Vtol ± Vhys/2.

There is a window between the VIN rising UV threshold and the VIN falling OV threshold where the input level is guaranteed not to be detected as a fault. This window exists between the limits VIN ± (Vtol - Vhys/2). There is an extension of this window in each direction up to VIN ± (Vtol + Vhys/2), where the voltage may or may not be detected as a fault, depending on the direction from which it is approached. These two equations may be used to determine the required value of Vtol for a given system. For example, if VIN is 12V, Vhys = (0.1 x 12)/1.17 = 1.03V. If VIN must remain within 12V ± 1.5V, Vtol = 1.5 - 1.03/2 = 0.99V.

This will give a window of 12 ± 0.48V where the system is guaranteed not to be in fault and a limit of 12 ± 1.5V beyond which the system is guaranteed to be in fault.

It is wise to check both these voltages, for if the latter is made to tight, the former will cease to exist. This point comes when Vtol < Vhys/2 and results from the fact that the acceptable window for the OV pin no longer aligns with the acceptable window for the UV pin. In this case, the application will have to be changed such that UV and OV are provided separate resistor strings. In this case, the UV and OV thresholds can be individually controlled by adjusting the relevant divider.

The previous example will give voltage thresholds of:

with VIN rising
 UVr = VIN - Vtol + Vhys/2 = 11.5V and
 Ovr = VIN + Vtol + Vhys/2 = 13.5V

with VIN falling
 OVf = VIN + Vtol - Vhys/2 = 12.5V and
 UVf = VIN - Vtol - Vhys/2 = 10.5V.

So with a single three resistor string, the resistor values can be calculated as:

$$Rl = (V_{REF}/I_{load}) (1 - V_{tol}/V_{IN})$$

$$Rm = 2(V_{REF} \times V_{tol})/(V_{IN} \times I_{load})$$

$$Ru = 1/I_{load} \times (V_{IN} - V_{REF} (1 + V_{tol}/V_{IN}))$$

For the above example, with Vtol = 0.99V, assuming a 100µA Iload at VIN = 12V:

RI = 10.7kΩ
 Rm = 1.9kΩ
 Ru = 107.3kΩ

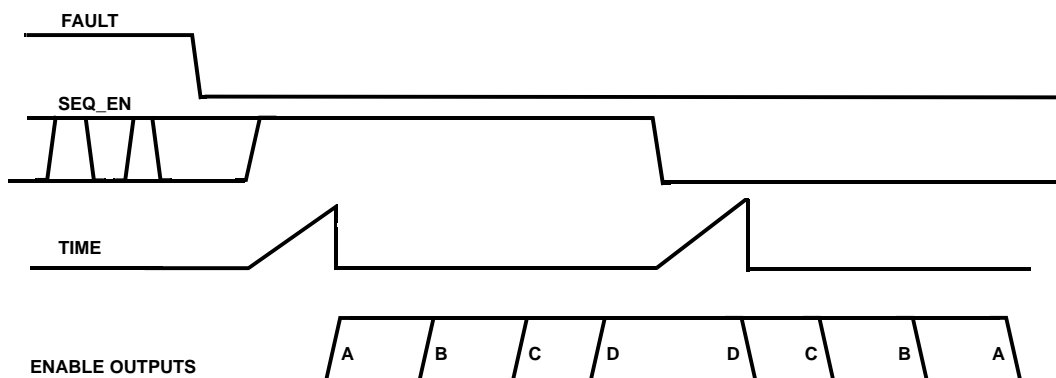


FIGURE 2. ISL8702A OPERATIONAL DIAGRAM

ISL8700A, ISL8701A, ISL8702A, ISL8703A, ISL8704A, ISL8705A

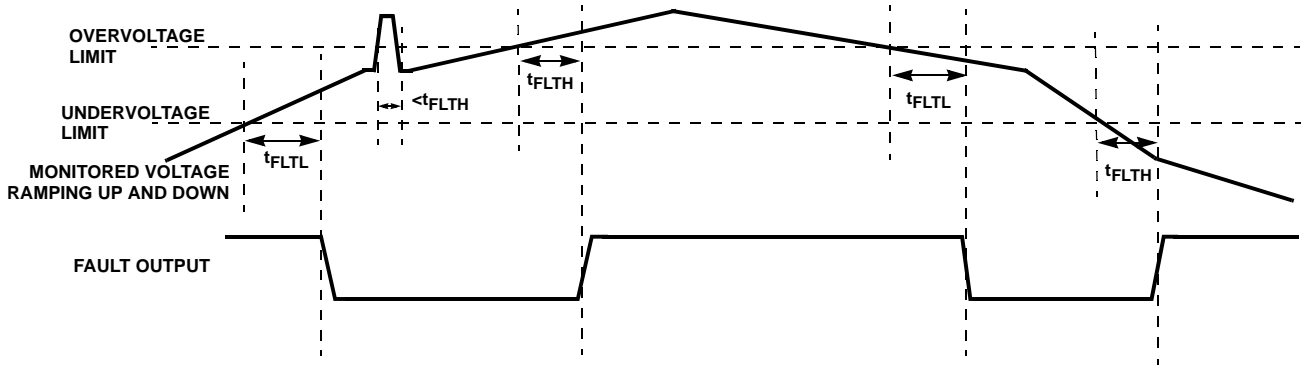


FIGURE 3. ISL8702A, ISL8703A, ISL8704A, ISL8705A FAULT OPERATIONAL DIAGRAM

Typical Performance Curves

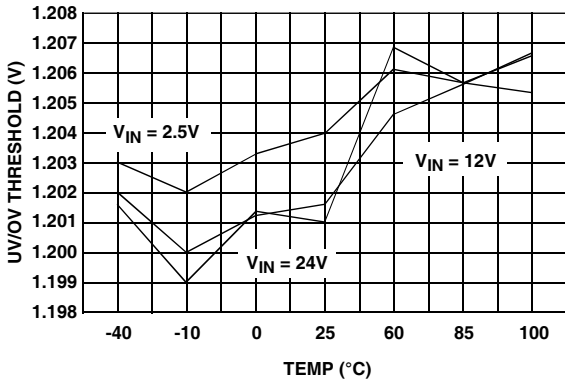


FIGURE 4. UV/OV RISING THRESHOLD

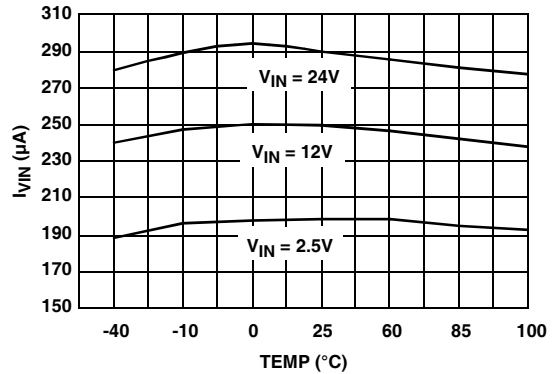


FIGURE 5. V_{IN} CURRENT

Applications Usage

Using the ISL870XAEVAL1 Platform

The ISL870XAEVAL1 platform is the primary evaluation board for this family of sequencers. See Figure 16 for photograph and schematic. The evaluation board is shipped with an **ISL8702A** mounted in the left position and with the other device variants loose packed. In the following discussion, test points names are **bold** on initial occurrence for identification.

The **V_{IN}** test point is the chip bias and can be biased from 3.3V to 24V. The **V_{HI}** test point is for the ENABLE and **FAULT** pull-up voltage which are limited to a maximum of 24V independent of V_{IN}. The UV/OV resistor divider is set so that a nominal 12V on the **V_{MONITOR}** test point is compliant and with a rising OV set at 13.2V and a falling UV set at 10.7V. These three test points (V_{IN}, V_{HI} and V_{MONITOR}) are brought out separately for maximum flexibility in evaluation.

V_{MONITOR} ramping up and down through the UV and OV levels will result in the FAULT output signaling the out of bound conditions by being released to pull high to the V_{HI} voltage as shown in Figures 6 and 7.

Once the voltage monitoring FAULT is resolved and where applicable, the **SEQ_EN(#)** is satisfied, sequencing of the **ENABLE_X(#)** outputs begins. When sequence enabled the **ENABLE_A, ENABLE_B, ENABLE_C** and lastly **ENABLE_D** are asserted in that order and when SEQ_EN is disabled the order is reversed. See Figures 8 and 9 demonstrating the sequenced enabling and disabling of the ENABLE outputs. The timing between ENABLE outputs is set by the resistor values on the TB, TC, TD pins as shown. Figure 10 illustrates the timing from either SEQ_EN and/or V_{MONITOR} being valid to ENABLE_A being asserted with a 10nF TIME capacitor. Figure 11 shows that ENABLE_X outputs are pulled low even before V_{IN} = 1V. This is critical to ensure that a false enable is not signaled. Figure 12 illustrates the SEQ_EN# input disabling and enabling the ISL8705A ENABLE# outputs. Notice the reversal in order and delay timing from ENABLE_X# to ENABLE_X#. Figure 13 shows the time from SEQ_EN transition with the voltage ramping across the TIME capacitor to TIME V_{th} being met. This results in the immediate pull down of the TIME pin and simultaneous ENABLE_A enabling.

ISL8700A, ISL8701A, ISL8702A, ISL8703A, ISL8704A, ISL8705A

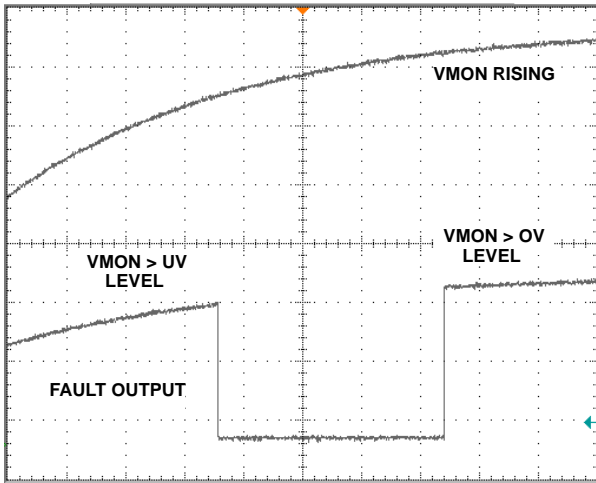


FIGURE 6. VMONITOR RISING TO FAULT

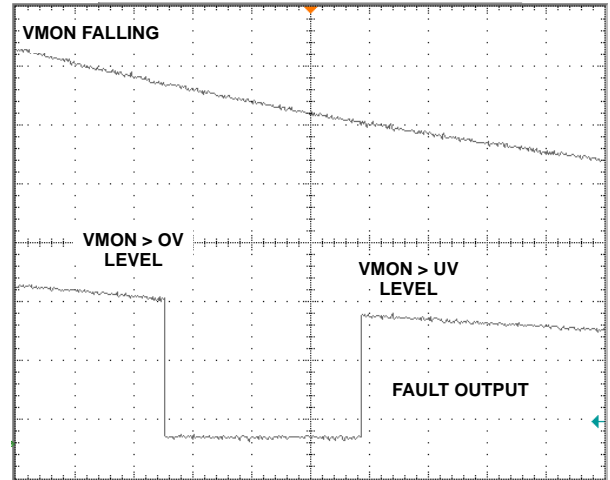


FIGURE 7. VMONITOR FALLING TO FAULT

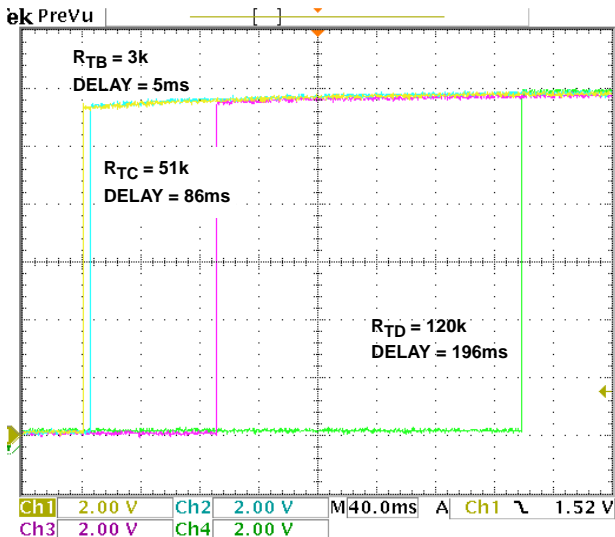


FIGURE 8. ENABLE_X TO ENABLE_X ENABLING

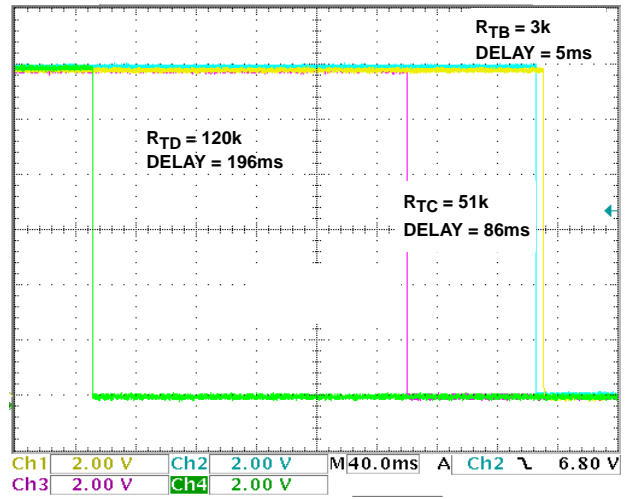


FIGURE 9. ENABLE_X TO ENABLE_X DISABLING

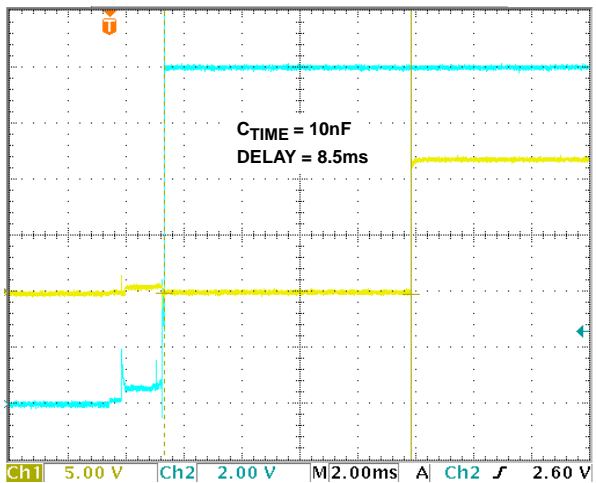


FIGURE 10. V_{IN}/SEQ_EN VALID TO $ENABLE_A$

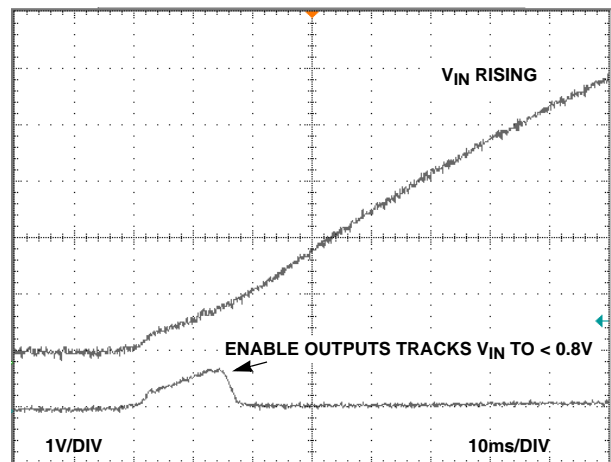


FIGURE 11. ENABLE AS V_{IN} RISES

ISL8700A, ISL8701A, ISL8702A, ISL8703A, ISL8704A, ISL8705A

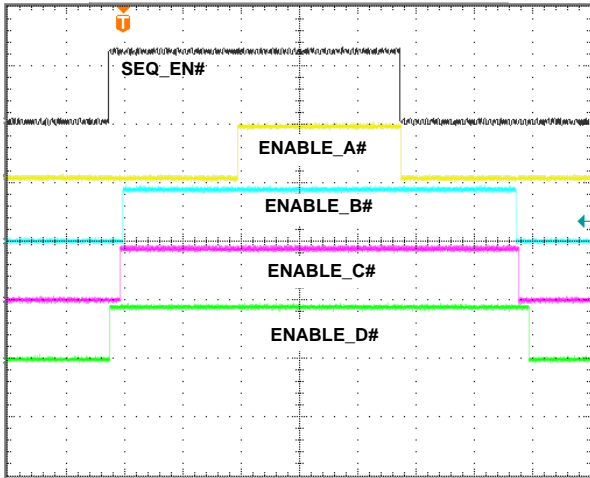


FIGURE 12. ISL8705A ENABLE_X# TO ENABLE_X#

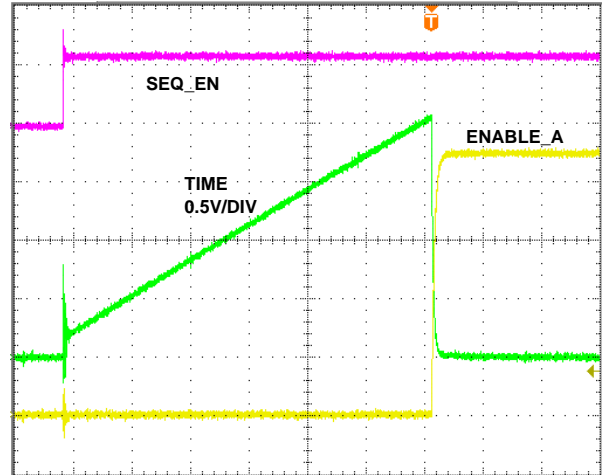


FIGURE 13. SEQ_EN TO ENABLE_A

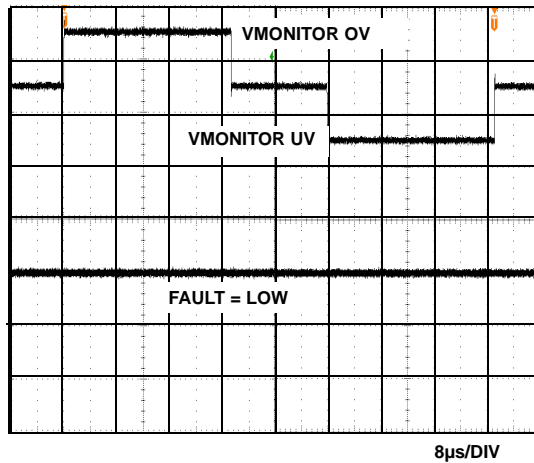


FIGURE 14. OV AND UV TRANSIENT IMMUNITY

ISL8700A, ISL8701A, ISL8702A, ISL8703A, ISL8704A, ISL8705A

Application Recommendations

Best practices V_{IN} decoupling is required, a $1\mu\text{F}$ capacitor is recommended.

Coupling from the ENABLE_X pins to the sensitive UV and OV pins can cause false OV/UV events to be detected. This is most relevant for ISL8700A, ISL8702A, ISL8704A parts due to the ENABLEA and OV pins being adjacent. This coupling can be reduced by adding a ground trace between UV and the ENABLE/FAULT signals, as shown in Figure 15. The PCB traces on OV and UV should be kept as small as practical and the ENABLE_X and FAULT traces should ideally not be routed under/over the OV/UV traces on different PCB layers unless there is a ground or power plane in between. Other methods that can be used to eliminate this issue are by reducing the value of the resistors in the network connected to UV and OV (R2, R3, R5 in Figure 16) or by adding small decoupling capacitors to OV and UV (C2 and C7 in Figure 16). Both these methods act to reduce the AC impedance at the nodes, although the latter method acts to filter the signals which will also cause an increase in the time that a UV/OV fault takes to be detected.

When the ISL870XA is implemented on a hot swappable card that is plugged into an always powered passive back plane an RC filter is required on the V_{IN} pin to prevent a high dv/dt transient. With the already existing $1\mu\text{F}$ decoupling capacitor the addition of a small series R ($>50\Omega$) to provide a time constant $>50\mu\text{s}$ is all that is necessary.

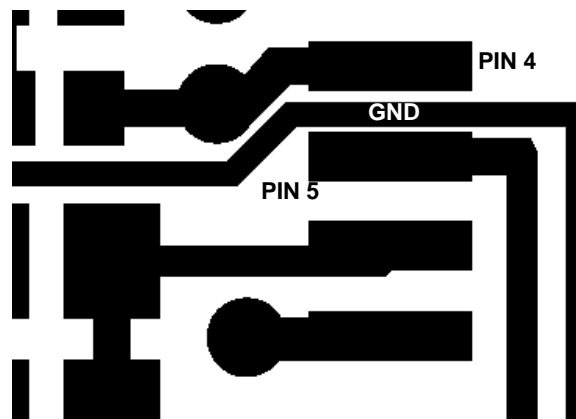


FIGURE 15. LAYOUT DETAIL OF GND BETWEEN PINS 4 AND 5

ISL8700A, ISL8701A, ISL8702A, ISL8703A, ISL8704A, ISL8705A

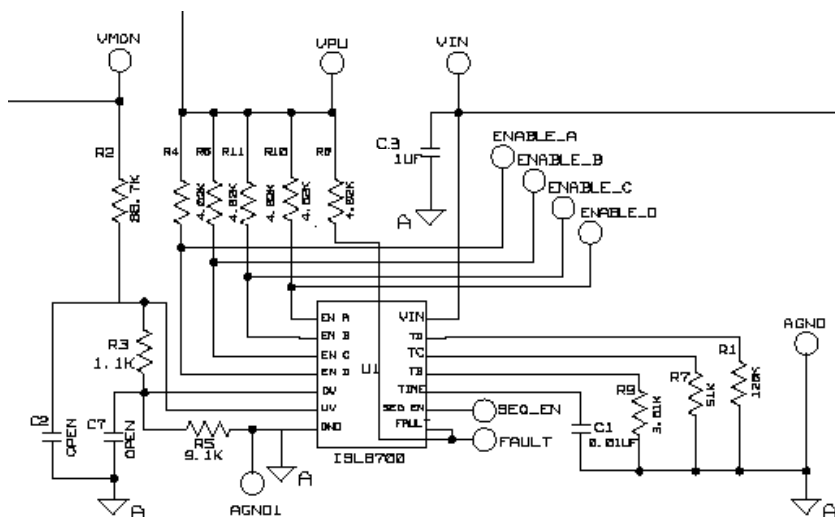
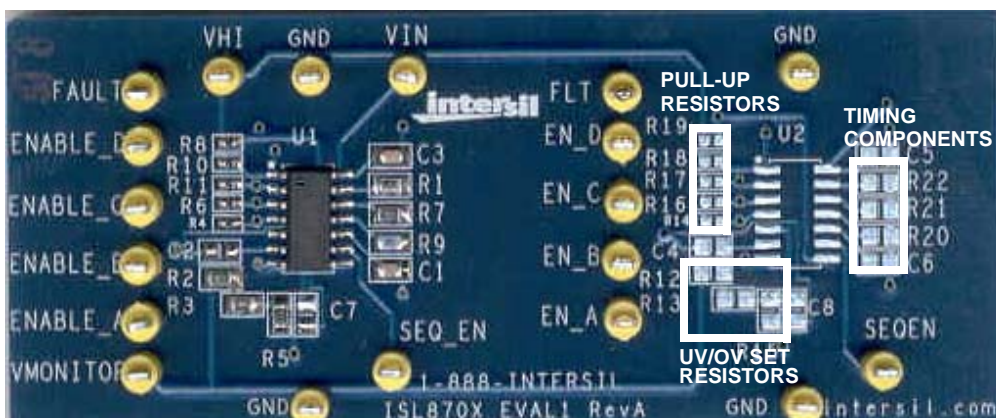


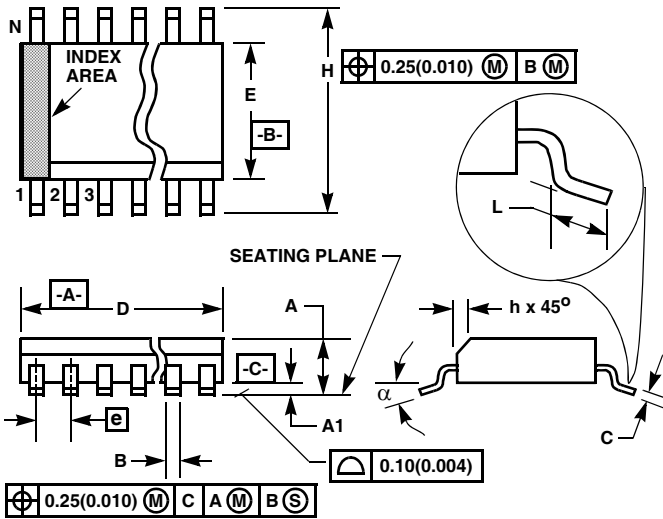
FIGURE 16. ISL870XAEVAL1 PHOTOGRAPH AND SCHEMATIC OF LEFT CHANNEL

TABLE 1. ISL870XAEVAL1 LEFT CHANNEL COMPONENT LISTING

COMPONENT DESIGNATOR	COMPONENT FUNCTION	COMPONENT DESCRIPTION
U1	ISL8702A, Quad Under/Overvoltage Sequencer	Intersil, ISL8702A, Quad Under/Overvoltage Sequencer
R3	UV Resistor for Divider String	1.1kΩ 1%, 0603
R2	VMONITOR Resistor for Divider String	88.7kΩ 1%, 0603
R5	OV Resistor for Divider String	9.1kΩ 1%, 0603
C1	C _{TIME} Sets Delay from Sequence Start to First ENABLE	0.01μF, 0603
R1	R _{TD} Sets Delay from Third to Fourth ENABLE	120kΩ 1%, 0603
R9	R _{TB} Sets Delay from First to Second ENABLE	3.01kΩ 1%, 0603
R7	R _{TC} Sets Delay from Second to Third ENABLE	51kΩ 1%, 0603
R4, R6, R8, R10, R11	ENABLE_X(#) and FAULT Pull-up Resistors	4kΩ 10%, 0402
C3	Decoupling Capacitor	1μF, 0603

ISL8700A, ISL8701A, ISL8702A, ISL8703A, ISL8704A, ISL8705A

Small Outline Plastic Packages (SOIC)



**M14.15 (JEDEC MS-012-AB ISSUE C)
 14 LEAD NARROW BODY SMALL OUTLINE PLASTIC
 PACKAGE**

SYMBOL	INCHES		MILLIMETERS		NOTES
	MIN	MAX	MIN	MAX	
A	0.0532	0.0688	1.35	1.75	-
A1	0.0040	0.0098	0.10	0.25	-
B	0.013	0.020	0.33	0.51	9
C	0.0075	0.0098	0.19	0.25	-
D	0.3367	0.3444	8.55	8.75	3
E	0.1497	0.1574	3.80	4.00	4
e	0.050 BSC		1.27 BSC		-
H	0.2284	0.2440	5.80	6.20	-
h	0.0099	0.0196	0.25	0.50	5
L	0.016	0.050	0.40	1.27	6
N	14		14		7
alpha	0°	8°	0°	8°	-

NOTES:

- Symbols are defined in the "MO Series Symbol List" in Section 2.2 of Publication Number 95.
- Dimensioning and tolerancing per ANSI Y14.5M-1982.
- Dimension "D" does not include mold flash, protrusions or gate burrs. Mold flash, protrusion and gate burrs shall not exceed 0.15mm (0.006 inch) per side.
- Dimension "E" does not include interlead flash or protrusions. Interlead flash and protrusions shall not exceed 0.25mm (0.010 inch) per side.
- The chamfer on the body is optional. If it is not present, a visual index feature must be located within the crosshatched area.
- "L" is the length of terminal for soldering to a substrate.
- "N" is the number of terminal positions.
- Terminal numbers are shown for reference only.
- The lead width "B", as measured 0.36mm (0.014 inch) or greater above the seating plane, shall not exceed a maximum value of 0.61mm (0.024 inch).
- Controlling dimension: MILLIMETER. Converted inch dimensions are not necessarily exact.

Rev. 0 12/93

All Intersil U.S. products are manufactured, assembled and tested utilizing ISO9000 quality systems. Intersil Corporation's quality certifications can be viewed at www.intersil.com/design/quality

Intersil products are sold by description only. Intersil Corporation reserves the right to make changes in circuit design, software and/or specifications at any time without notice. Accordingly, the reader is cautioned to verify that data sheets are current before placing orders. Information furnished by Intersil is believed to be accurate and reliable. However, no responsibility is assumed by Intersil or its subsidiaries for its use; nor for any infringements of patents or other rights of third parties which may result from its use. No license is granted by implication or otherwise under any patent or patent rights of Intersil or its subsidiaries.

For information regarding Intersil Corporation and its products, see www.intersil.com