

Excellent Integrated System Limited

Stocking Distributor

Click to view price, real time Inventory, Delivery & Lifecycle Information:

[Molex Connector Corporation](#)
[0016020077](#)

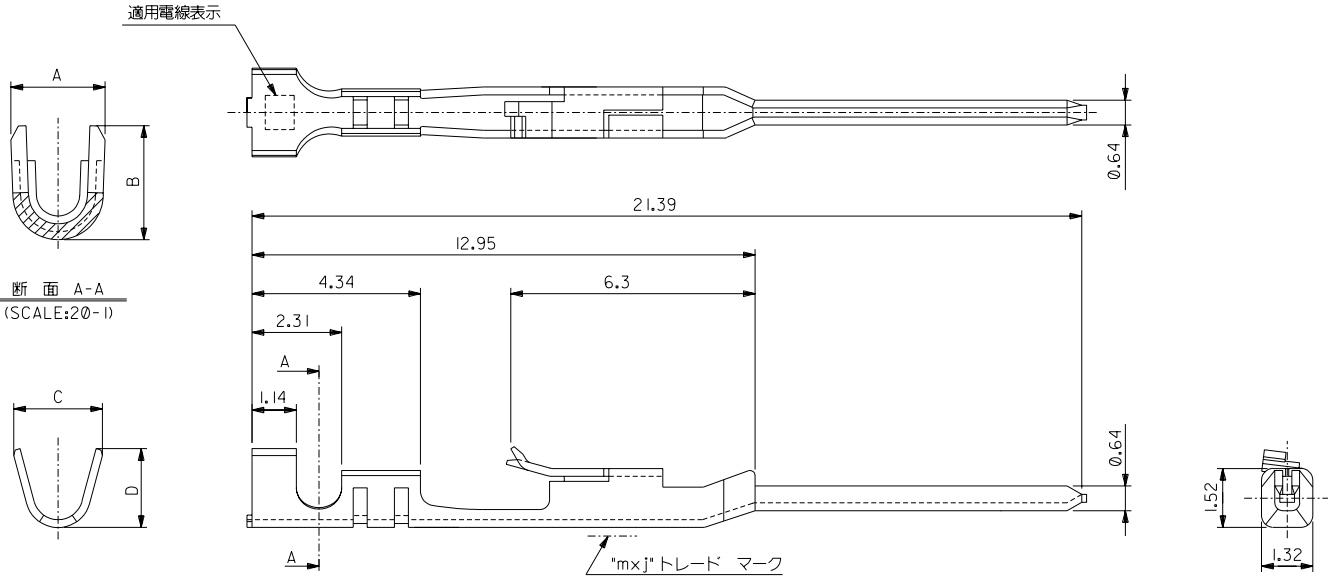
For any questions, you can email us directly:

sales@integrated-circuit.com

ENC. NO. 0-06
SD-70021-0-23

EDP NO. #

DIMENSIONS IN METRIC DO NOT SCALE DRAWING

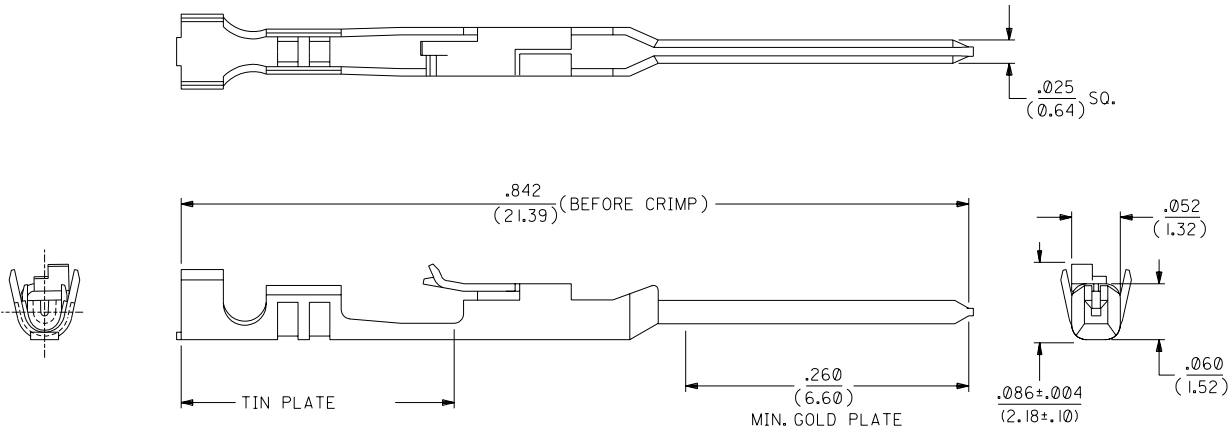


注記:

- 適合ハウジング: 70066-****, 70107-****
- メッキ仕様:
 接点部 : 金メッキ, 0.38 μmMIN.
 圧着部 : 錫メッキ, 1.91 μmMIN.
 下地メッキ: ニッケルメッキ, 1.27 μmMIN.

| | | | | | | | | |
|-----------------|-------|------|---------------------------|-------------------|------------|------------|-------------|------------------------|
| 1.91 | 2.1 | 1.47 | 1.22 | A | φ 1.6 MAX. | AWG#24-#30 | 連鎖状 | 70021-0006 |
| 1.91 | 2.1 | 1.65 | 1.84 | C | | AWG#22-#24 | バラ状 | 70021-0223 |
| D | C | B | A | 適用電線表示 | 被覆外径 | 適用電線範囲 | 端子形状 | MATERIAL No. |
| | | | | 材料 MATERIAL | 燐青銅 | | | MOLEX-JAPAN CO.,LTD. |
| | | | | | t 0.203 | | | 日本モレックス株式会社 |
| | | | | 仕上げ FINISH | 注記参照 | | EDP. NO. | # |
| | | | | 適用電線範囲 WIRE RANGE | 表参照 | | ENG. NO. | SD-70021-0-06 |
| | | | | 被覆外径 INS. RANGE | 表参照 | | REV | B |
| 角度 ANGLE | +3° | B | 変更 (12004-4519) | 04/05/13 | | | TITLE 名称 | SL MALE CRIMP TERMINAL |
| 30以上 OVER | +0.3 | A | 変更 (1060398) | 95/12/07 | | | -LEAD FREE- | |
| 10以上 30未満 UNDER | +0.25 | 0 | 新規作成 (100110) | 30/4/6 | | | | |
| 10未満 UNDER | +0.2 | 記号 | 変更内容 | DR. CHK. DATE | DRAWN BY | CHK'D BY | | |
| 一般公差 | | LTR | REVISION RECORD | | APPD BY | 尺度 SCALE | | |
| | | | REVISE ONLY ON CAD SYSTEM | | | 10-1 | | |

THIS DRAWING CONTAINS INFORMATION THAT IS PROPRIETARY TO MOLEX/JAPAN AND SHOULD NOT BE USED WITHOUT WRITTEN PERMISSION
 本図面は日本モレックス（株）の所有する情報を含むもので 当社の許可なく複製を禁止する。



NOTES:

1. TERMINAL FOR USE WITH HOUSING PART NO. 70066-**** & 70107-****.
2. MATERIAL: .008/(0.20) THK. PHOSPHOR BRONZE.
3. TERMINAL TO BE USED WITH 24-30 AWG STRANDED WIRE WITH .060 DIA. MAX. INSULATION.
4. REFER TO MOLEX OPERATIONAL AND SERVICE MANUAL FOR DETAILS.
5. REFER TO PRODUCT SPECIFICATION NO. PS-70021.
6. PARTS SUPPLIED IN REEL FORM.

PLATING:

15 GOLD - .000015 MIN. GOLD PLATE IN SELECT AREA,
.000075 MIN. TIN PLATE IN SELECT AREA,
OVER .000050 MIN. NICKEL PLATE OVERALL.

*THE PRIMARY SHIPPING CARTON WILL BE LABELED "COMPLIANT TO ROHS DIRECTIVE 2002/95/EC AND ELV ANNEX II OF DIRECTIVE 2000/53/EC". CARTONS WITHOUT THIS LABEL MAY CONTAIN PRODUCT WITH LEAD.

| | |
|----|--|
| G | LEAD FREE UCP2004-1769 RWHITE 04/03/12 |
| F1 | REVISED ECR #U80270 MCGRATH 97/07/31 |
| F | REVISED PLTG. SPEC. PER ECR # U31149 08/19/93 REED |
| E | REVISED PER ECR# U82220 11/07/88 MJM/MGB |
| D | REDRAWN ON CAD PER E.C.R. #9509 11/10/86 WJF/MJM |

| MFG. | SH. | REV. | LTR. | REVISIONS |
|------|-----|------|------|-----------|
|------|-----|------|------|-----------|

| | | | | | |
|--|--|--|--|------------------------------|--|
| DIMENSIONS SHOWN (METRIC) INCH | | UNLESS OTHERWISE SPECIFIED TOLERANCES: ANGULAR ± 1/2° | | REVISIONS | |
| 3 PLACE ± .010 | | METRIC --- | | MFG. SH. REV. LTR. REVISIONS | |
| 2 PLACE ± .015 | | ± 0.25 | | TITLE | |
| 1 PLACE --- | | ± 0.35 | | TERMINAL, MALE CRIMP | |
| DRAFT WHERE APPLICABLE MUST REMAIN WITHIN DIMENSIONS | | | | MOLEX INCORPORATED | |
| DRWG. BY: WJF | | CHK'D. BY: MJM | | SHEET NO. 1 | |
| APP'D. BY: WAZ | | SCALE: 10:1 | | DATE: 10/30/86 | |
| PART NO. 16-02-0077 | | DRWG. NO. SD-70021-0006 | | MOLEX INC. U.S.A. | |
| FILE NAME: S70021X5 DGN | | THIS DRAWING CONTAINS INFORMATION THAT IS PROPRIETARY TO MOLEX INC. AND SHOULD NOT BE USED WITHOUT WRITTEN PERMISSION. | | DIV. DA | |
| | | | | SIZE B | |