

## Excellent Integrated System Limited

Stocking Distributor

Click to view price, real time Inventory, Delivery & Lifecycle Information:

[Molex Connector Corporation](#)  
[0016021124](#)

For any questions, you can email us directly:

[sales@integrated-circuit.com](mailto:sales@integrated-circuit.com)

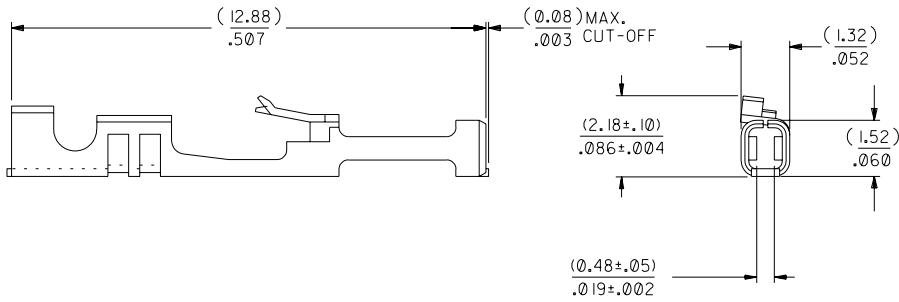
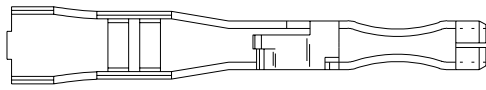
**NOTES:**

1. TERMINAL TO BE USED IN HOUSINGS 70066-\*\*\*\* AND 70450-\*\*\*\*
2. REFER TO PRODUCT SPECIFICATION PS-71851
3. REFER TO MOLEX OPERATIONS AND SERVICE MANUAL FOR CRIMP DETAILS
4. TERMINAL TO BE USED WITH (0.64)/.025 SQUARE PINS
5. TERMINAL TO BE USED WITH 22-24 AWG STRANDED WIRE WITH (1.63)/.064 MAX. DIA. INSULATION
6. TERMINALS SUPPLIED IN REEL FORM

**PLATING:**

.000015 MINIMUM GOLD PLATE IN SELECT AREA WITH .000075 MINIMUM TIN PLATE IN SELECT AREA OVER NICKEL PLATE OVERALL

•THE PRIMARY SHIPPING CARTON WILL BE LABELED 'COMPLIANT TO ROHS DIRECTIVE 2002/95/EC AND ELV ANNEX II OF DIRECTIVE 2000/53/EC'. CARTONS WITHOUT THIS LABEL MAY CONTAIN PRODUCT WITH LEAD.



				B		REVISE PER ECR# U82219 11-07-88 MJM/MGB		DIMENSIONS SHOWN (METRIC) INCH UNLESS OTHERWISE SPECIFIED TOLERANCES: ANGULAR ± 1/2°		▽ = 0 ▼ = 0		REVISE ONLY ON CAD SYSTEM																	
		C		A		FINAL RELEASE PER ERO #26846 7/14/88 MJM		<table border="1"> <tr><th colspan="2">INCH</th><th colspan="2">METRIC</th></tr> <tr><td>3 PLACE</td><td>± .010</td><td colspan="2">---</td></tr> <tr><td>2 PLACE</td><td>± .014</td><td colspan="2">± 0.25</td></tr> <tr><td>1 PLACE</td><td>---</td><td colspan="2">± 0.35</td></tr> </table>		INCH		METRIC		3 PLACE	± .010	---		2 PLACE	± .014	± 0.25		1 PLACE	---	± 0.35		TITLE		TERMINAL-BOX/CRIMP HIGH FORCE CONTACT	
INCH		METRIC																											
3 PLACE	± .010	---																											
2 PLACE	± .014	± 0.25																											
1 PLACE	---	± 0.35																											
		B1		3		REVISED ECR #U80270 MCGRATH 97/07/31		DRAFT WHERE APPLICABLE MUST REMAIN WITHIN DIMENSIONS		MOLEX INCORPORATED		SHEET NO. 1 DATE 03/25/88																	
		LTR.		LTR.		REVISE PER ERO #26254 3/25/88 MJM		DRWG. BY MJM CHKD. BY MJM		PART NO. 016-02-1124		DRWG. NO. SD-71851-0024																	
		LTR.		LTR.		REVISE PER ERO #26254 3/25/88 MJM		APP'D. BY WAZ SCALE 10:1		FILE NAME 571851XS		THIS DRAWING CONTAINS INFORMATION THAT IS PROPRIETARY TO MOLEX INC. AND SHOULD NOT BE USED WITHOUT WRITTEN PERMISSION.																	
10	9	8	7	6	5	4	3	2	1																				