

Excellent Integrated System Limited

Stocking Distributor

Click to view price, real time Inventory, Delivery & Lifecycle Information:

[Honeywell Sensing and Productivity Solutions
V3-1113](#)

For any questions, you can email us directly:

sales@integrated-circuit.com

MICRO SWITCH

FREEPORT ILLINOIS, U.S.A
 A DIVISION OF HONEYWELL
 FED. MFG. CODE 91929

SWITCH - BASIC

CATALOG LISTING

V3-1113

CK-MI350

S

REPLACES X61345-V3

RELEASE NO. PR-4024

V3-1113

M

DRAWING NUMBER

ISSUE X2

84

REVISIONS

A	C039182	CEB	10 FEB 78
B	C074635	KDR	10 MAY 93
C	77796	DCS	24 MAR 94

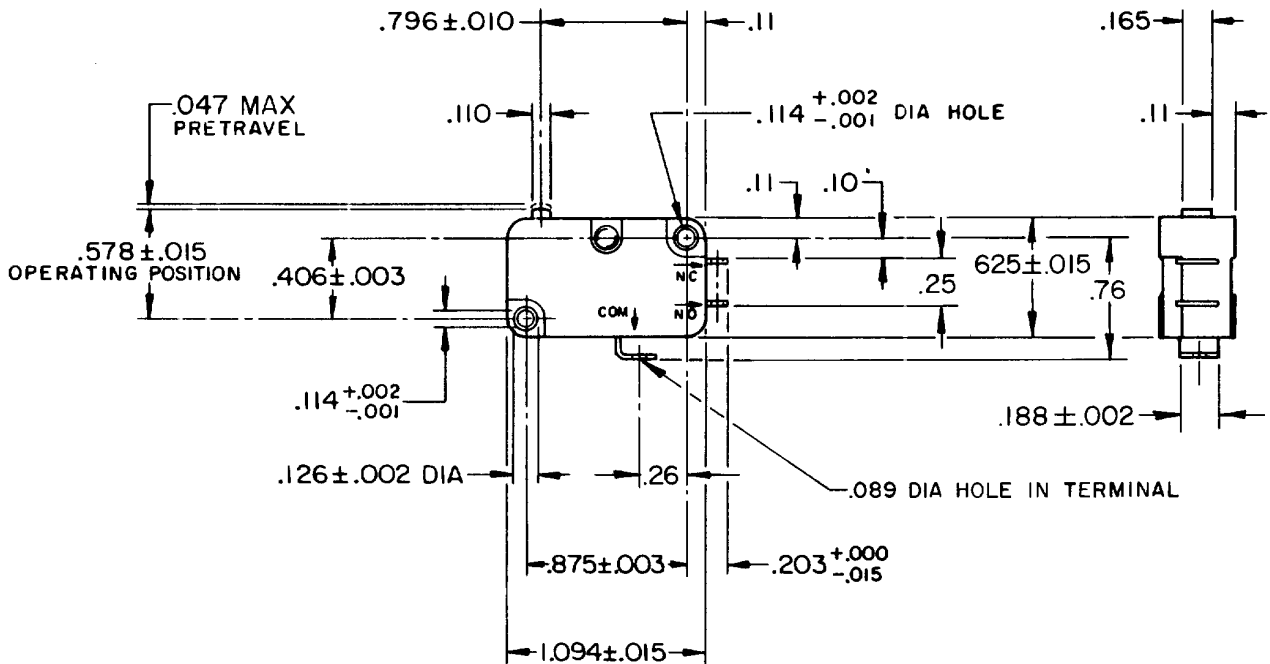
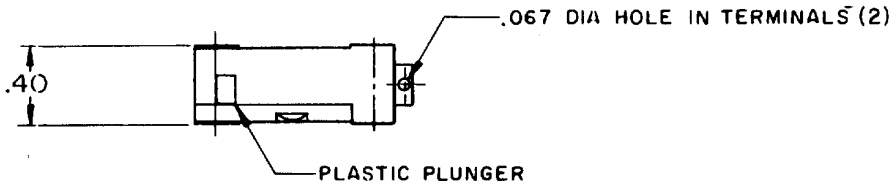
CHECK

74

21 MAR '74

D B W 20 MAR 74

FO-52848 DRAWN



NOTE -
 1 - TERMINALS ARE PLATED FOR SOLDERING

THIS DRAWING COVERS A PROPRIETARY ITEM AND IS THE PROPERTY OF MICRO SWITCH, A DIVISION OF HONEYWELL. THIS DRAWING IS NOT TO BE COPIED OR USED WITHOUT THE APPROVAL OF MICRO SWITCH.

CHARACTERISTICS	ELECTRICAL DATA	SCALE FULL
OPERATING FORCE - - - - 75 GRAMS MAX	CONTACT ARRANGEMENT S P D T	DO NOT SCALE PRINT
RELEASE TRAVEL - - - - .010 MIN	L112 10A 1/3HP 125 OR 250 VAC 1/2A 125 VDC, 1/4A 250 VDC 4A 125 VAC "L"	UNLESS OTHERWISE NOTED DIMENSIONS ARE IN INCHES TOLERANCES ARE
RELEASE FORCE - - - - 10 GRAMS MIN		ONE PLACE (.01) ± .030
DIFFERENTIAL TRAVEL - - - .002 - .010		TWO PLACE (.00) ± .015
OVERTRAVEL - - - - .050 MIN		THREE PLACE (.000) ± .005
FREE POSITION - - - - .625 MAX		ANGLES ±
		WEIGHT

