

Excellent Integrated System Limited

Stocking Distributor

Click to view price, real time Inventory, Delivery & Lifecycle Information:

[Honeywell Sensing and Productivity Solutions
V3-3057](#)

For any questions, you can email us directly:

sales@integrated-circuit.com

MICRO SWITCH

FREEPORT ILLINOIS, U.S.A
 A DIVISION OF HONEYWELL INC.
 FED. MFG. CODE 91929

SWITCH - BASIC

CATALOG LISTING

V3-3057

CK-X3557

REPLACES X83370-V3

RELEASE NO. PR-14328

V3-3057

M

DRAWING NUMBER

ISSUE X2

REVISIONS

A CO 74212
 D H O
 20 JAN 93

CHECK

CHECK

CHECK

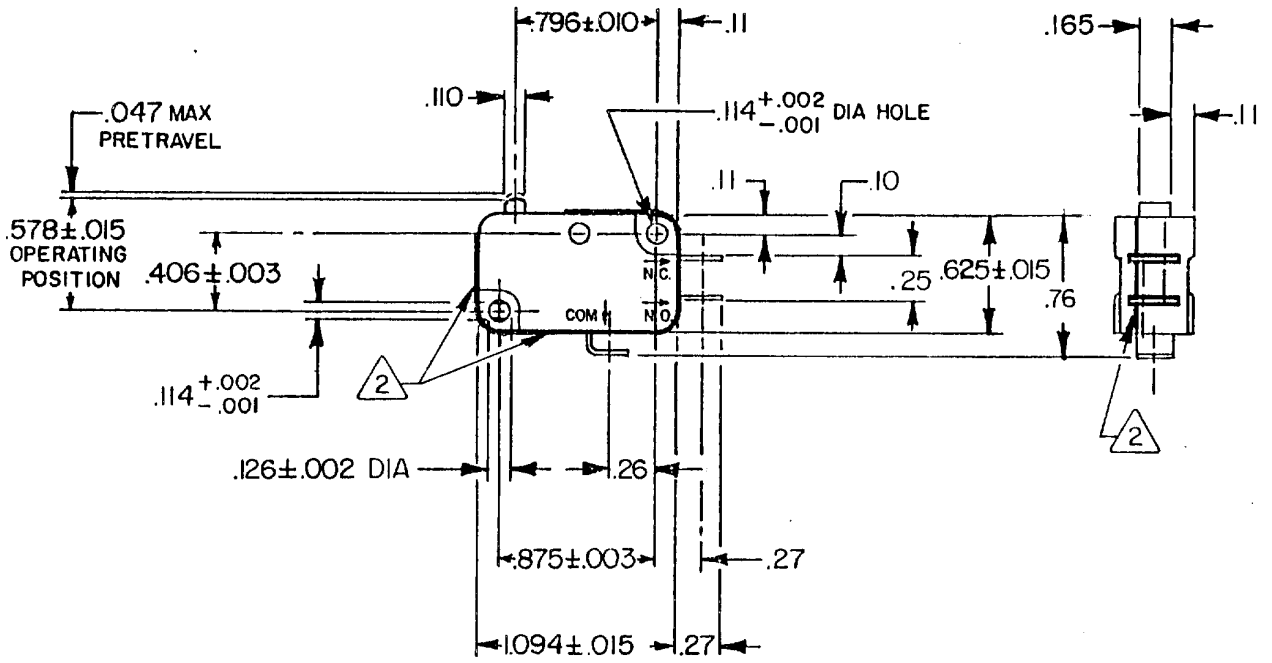
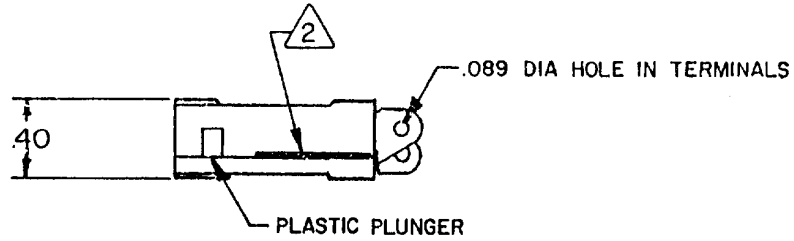
CHECK

CHECK

CHECK

CHECK

CHECK

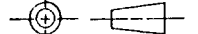


NOTES

- 1 - TERMINALS ARE PLATED FOR SOLDERING
- 2 - EPOXY APPLIED AROUND TERMINAL AREA AND JOINT BETWEEN CASE AND COVER. EPOXY ON TOP OF THE SWITCH TO BE WIPED OFF FLUSH WITH CASE & COVER

THIS DRAWING COVERS A PROPRIETARY ITEM AND IS THE PROPERTY OF MICRO SWITCH, A DIVISION OF HONEYWELL. THIS DRAWING IS NOT TO BE COPIED OR USED WITHOUT THE APPROVAL OF MICRO SWITCH.

THIRD ANGLE PROJECTION



CHARACTERISTICS	ELECTRICAL DATA	SCALE FULL	DO NOT SCALE PRINT
OPERATING FORCE ——— 150 GRAM MAX	CONTACT ARRANGEMENT S P D T	UNLESS OTHERWISE SPECIFIED TOLERANCES ARE ONE PLACE (.0) ± .030 TWO PLACE (.00) ± .015 THREE PLACE (.000) ± .005 ANGLES ± RAW MATERIAL - COMMERCIAL STANDARD	DIMENSIONS ARE IN INCHES AND ARE TO BE MET BEFORE PROTECTIVE COATINGS ARE APPLIED
RELEASE FORCE ——— 15 GRAM MIN	L112		
DIFFERENTIAL TRAVEL ——— .002 - .010	10A 1/3 HP 125 OR 250 VAC	MICRO SWITCH STANDARDS APPLY	
OVERTRAVEL ——— .050 MIN	1/2A 125 VDC, 1/4A 250 VDC	WEIGHT .016 LB	
FREE POSITION ——— .625 MAX	4A 125 VAC "L"		
RELEASE TRAVEL ——— .010 MIN			

FC-52848-B
 DRAWN

NOV 85

NOV 85