

Excellent Integrated System Limited

Stocking Distributor

Click to view price, real time Inventory, Delivery & Lifecycle Information:

[3M](#)
[500-032-050](#)

For any questions, you can email us directly:

sales@integrated-circuit.com

3M™ SIP Socket

Screw Machine, Low Profile

500 Series



- Standard 32 pin strip can be cut to length
- Reliable four finger contact interface
- Lower contact point enables lower total profile
- Inner contact aligned to maximize contact surface area
- Can be used in pairs to simulate DIP configuration
- Side and end stackable for board and design flexibility
- RoHS* compliant

Date Modified: February 20, 2007

TS-2119-03
Sheet 1 of 2

Physical

- Insulation Material:** Glass Filled Polyester
 Flammability: UL 94V-0
 Color: Black
- Contact Material:**
 Sleeve: Brass
 Inner contact: Beryllium Copper
- Plating Underplating:** 100 μ" [2.54 μm] min. Nickel
 Wiping Area: 8 μ" [.02 μm] min. Gold
 Terminal Area: Gold flash (RoHS compliant)
- Mating Device Leads**
 Rectangular Lead: W 0.38~0.50 mm X T 0.20~0.40 (0.50 mm max. Diagonal)
 Circular Lead: ø 0.40~0.50 mm
 Length: 1.8 mm min.
Marking: None

Electrical

- Current Resistance:** < 25mΩ
Current Rating: 1 A
Insulation Resistance: 1,000 MΩ at 500 V_{DC}
Withstanding Voltage: 1000 V_{AC} rms for 1 minute

Environmental

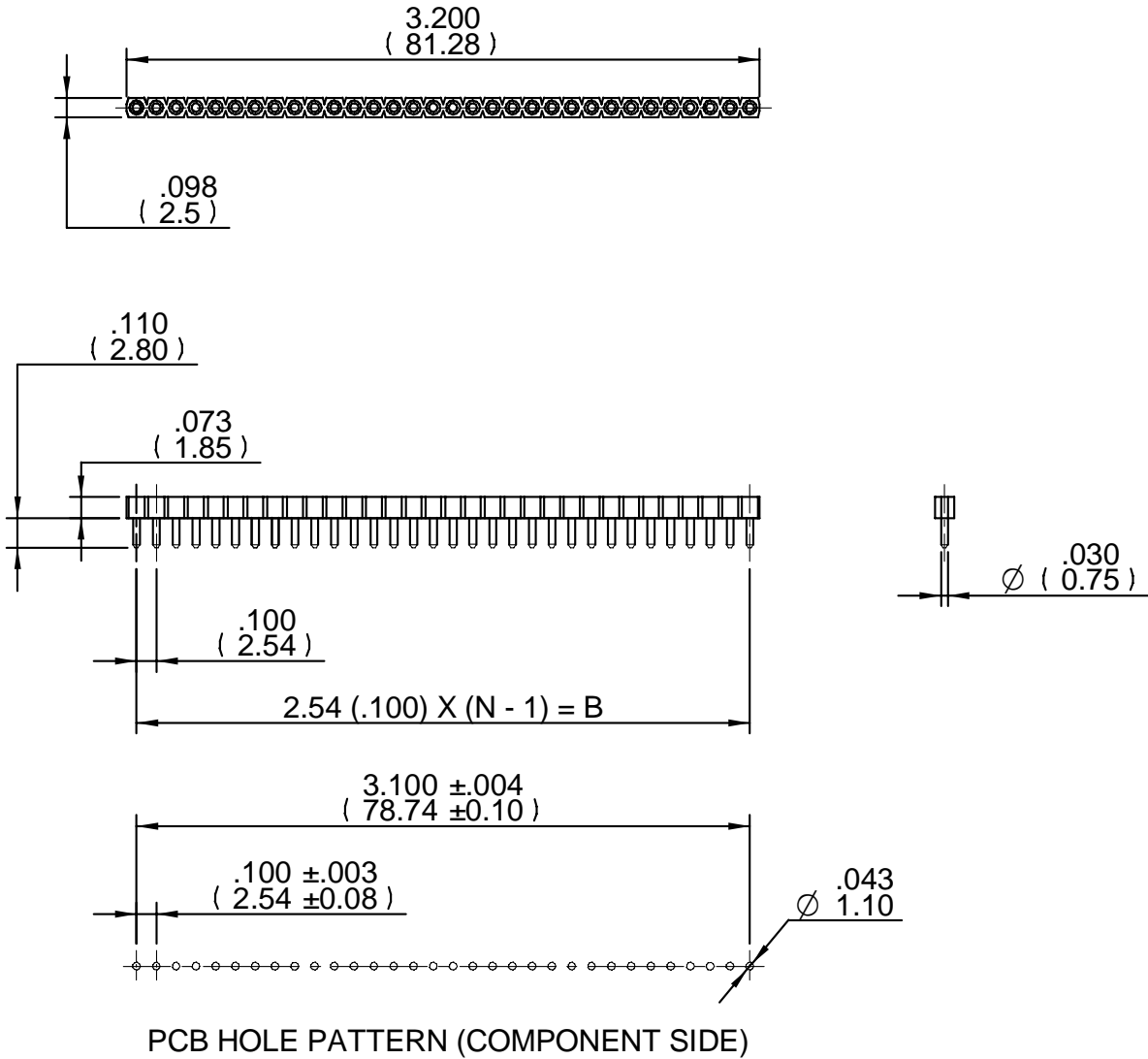
- Temperature Rating:** -65°C to +125°C
Process Rating: 260°C max. for 5 seconds, (Dipping: One time) Not for reflow soldering.

RoHS compliant means that the product or part does not contain any of the following substances in excess of the following maximum concentration values in any homogeneous material, unless the substance is in an application that is exempt under RoHS: (a) 0.1% (by weight) for lead, mercury, hexavalent chromium, polybrominated biphenyls or polybrominated diphenyl ethers; or (b) 0.01% (by weight) for cadmium. Unless otherwise stated by 3M in writing, this information represents 3M's knowledge and belief based upon information provided by third party suppliers to 3M.

3M™ SIP Socket

Screw Machine, Low Profile

500 Series



Inch
[mm]

Tolerance Unless Noted			
	.0	.00	.000
inch	±.1	±.01	±.005

[] Dimensions for Reference Only

Note: Not for reflow soldering.

Ordering Information

500-0XX-0X0

Contact Quantity
32 Lead standard (contact customer support for other lead counts)

Tail plating:
5 = Gold flash (RoHS compliant)

TS-2119-03
Sheet 2 of 2

Important Notice

All statements, technical information, and recommendations related to 3M's products are based on information believed to be reliable, but the accuracy or completeness is not guaranteed. Before using this product, you must evaluate it and determine if it is suitable for your intended application. You assume all risks and liability associated with such use. Any statements related to the product which are not contained in 3M's current publications, or any contrary statements contained on your purchase order shall have no force or effect unless expressly agreed upon, in writing, by an authorized officer of 3M.

3M

3M Electronics

6801 River Place Blvd.
Austin, TX 78726-9000
800/225-5373
www.3M.com/electronics

Warranty; Limited Remedy; Limited Liability.

This product will be free from defects in material and manufacture for a period of one (1) year from the time of purchase. **3M MAKES NO OTHER WARRANTIES INCLUDING, BUT NOT LIMITED TO, ANY IMPLIED WARRANTY OF MERCHANTABILITY OR FITNESS FOR A PARTICULAR PURPOSE.** If this product is defective within the warranty period stated above, your exclusive remedy shall be, at 3M's option, to replace or repair the 3M product or refund the purchase price of the 3M product. **Except where prohibited by law, 3M will not be liable for any indirect, special, incidental or consequential loss or damage arising from this 3M product, regardless of the legal theory asserted.**



Minimum 10%
Post-Consumer Fiber

Printed in USA.

© 3M 2007